

P01-37x240/100x100 112

P01-37x240/40x160 114

P01-37x240/60x260 116

P01-37x240/160x360 118

P01-37x240/260x460 120

P01-37x240/360x560 122

P01-37x240/460x660 124

P01-37x240/560x760 126

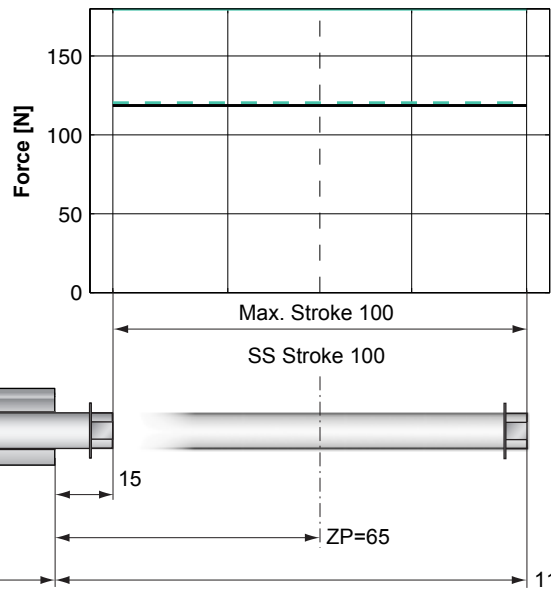
P01-37x240/660x860 128

P01-37x240/860x1060 130

P01-37x240/1060x1260 132

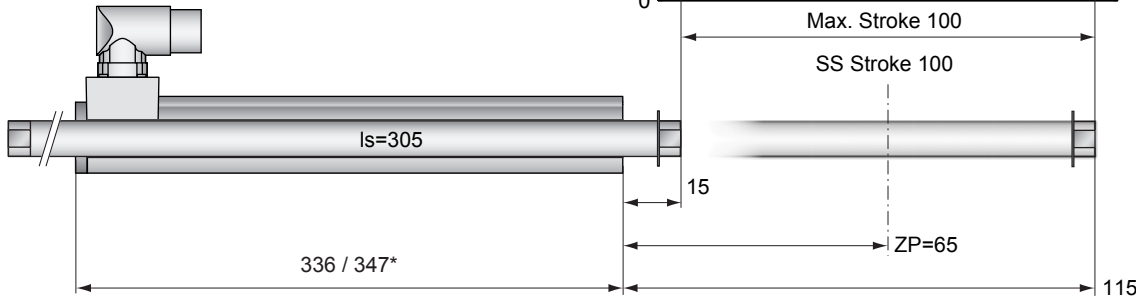
P01-37x240/1260x1460 134

Max. Stroke: 100mm
Peak Force: 180N



Standard Winding:
 — E1100-HC, 72VDC
 — E1100, 72VDC & E1001, 72VDC

Fast Winding:
 — E1100-HC, 72VDC
 - - E1100, 72VDC & E1001, 72VDC

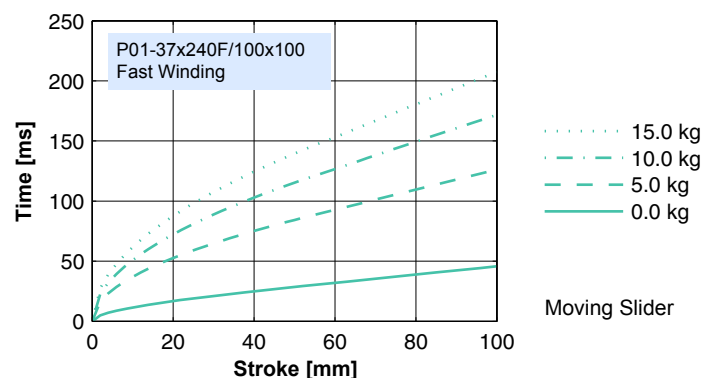
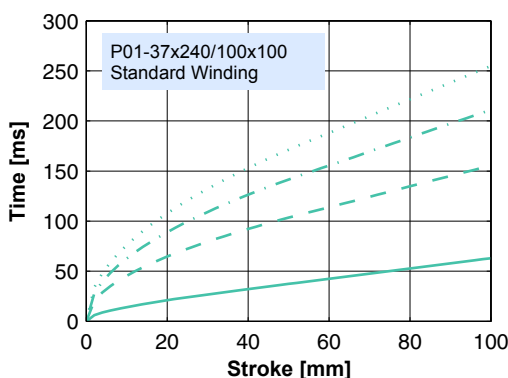


Dimensions in mm
 *Cable Type

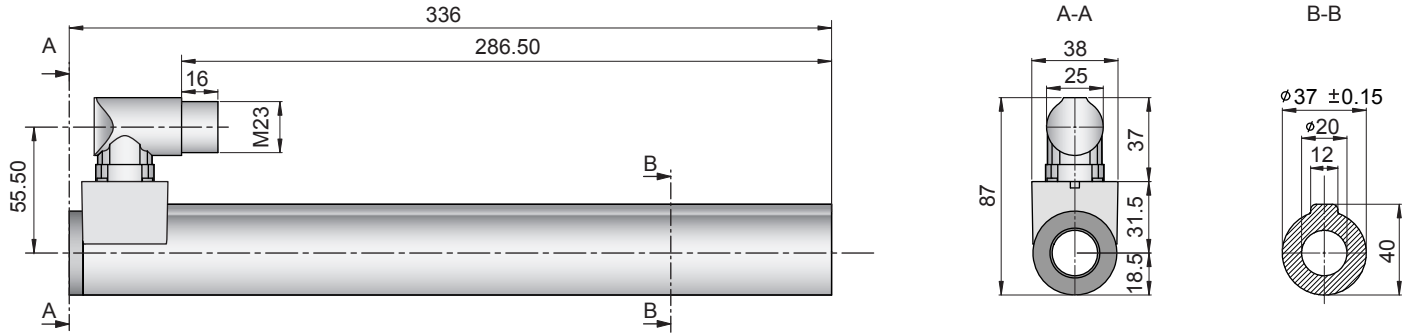
Motor Specification

	P01-	Connector Type		Cable Type	
		Standard Winding 37x240/100x100-C	Fast Winding 37x240F/100x100-C	Standard Winding 37x240/100x100-P150 37x240/100x100-C20	Fast Winding 37x240F/100x100-C20
Extended Stroke ES	mm (in)	100 (3.94)	100 (3.94)	100 (3.94)	100 (3.94)
Standard Stroke SS	mm (in)	100 (3.94)	100 (3.94)	100 (3.94)	100 (3.94)
Peak Force E1100-HC	N (lbf)	119 (26.7)	180 (40.4)	119 (26.7)	180 (40.4)
Peak Force E1100 / E1001	N (lbf)	119 (26.7)	120 (27.1)	119 (26.7)	120 (27.1)
Cont. Force	N (lbf)	31 (7.0)	31 (7.0)	31 (7.0)	31 (7.0)
Cont. Force Fan cooling	N (lbf)	58 (13.1)	58 (13.1)	58 (13.1)	58 (13.1)
Border Force	%	100	100	100	100
Force Constant	N/A (lbf/A)	23.8 (5.35)	15.1 (3.38)	23.8 (5.35)	15.1 (3.38)
Max. Current @ 72VDC	A	5.0	11.9	5.0	11.9
Max. Current @ 48VDC	A	3.3	8.0	3.3	8.0
Max. Velocity @ 72VDC	m/s (in/s)	2.8 (110)	4.4 (173)	2.8 (110)	4.4 (173)
Max. Velocity @ 48VDC	m/s (in/s)	1.9 (73)	2.9 (116)	1.9 (73)	2.9 (116)
Phase Resist. 25/80 °C	Ohm	11.7/14.2	4.9/5.9	11.7/14.2	4.9/5.9
Phase Inductance	mH	6.0	2.4	6.0	2.4
Thermal Resistance	°K/W	2.3	2.2	2.3	2.2
Thermal Time Const.	sec	3400	3200	3400	3200
Stator Diameter	mm (in)	37 (1.46)	37 (1.46)	37 (1.46)	37 (1.46)
Stator Length	mm (in)	336 (13.23)	336 (13.23)	347 (13.66)	347 (13.66)
Stator Mass	g (lb)	1385 (3.05)	1385 (3.05)	1385 (3.05)	1385 (3.05)
Slider Diameter	mm (in)	20 (0.79)	20 (0.79)	20 (0.79)	20 (0.79)
Slider Length	mm (in)	305 (12.01)	305 (12.01)	305 (12.01)	305 (12.01)
Slider Mass	g (lb)	496 (1.09)	496 (1.09)	496 (1.09)	496 (1.09)
Position Repeatability	mm (in)	±0.05 (±0.0020)	±0.05 (±0.0020)	±0.05 (±0.0020)	±0.05 (±0.0020)
Linearity	%	±0.40	±0.40	±0.40	±0.40
Repeatability with EPS	mm (in)	±0.01 (±0.0004)	±0.01 (±0.0004)	±0.01 (±0.0004)	±0.01 (±0.0004)
Linearity with EPS	mm (in)	±0.01 (±0.0004)	±0.01 (±0.0004)	±0.01 (±0.0004)	±0.01 (±0.0004)

Position-Time Diagram

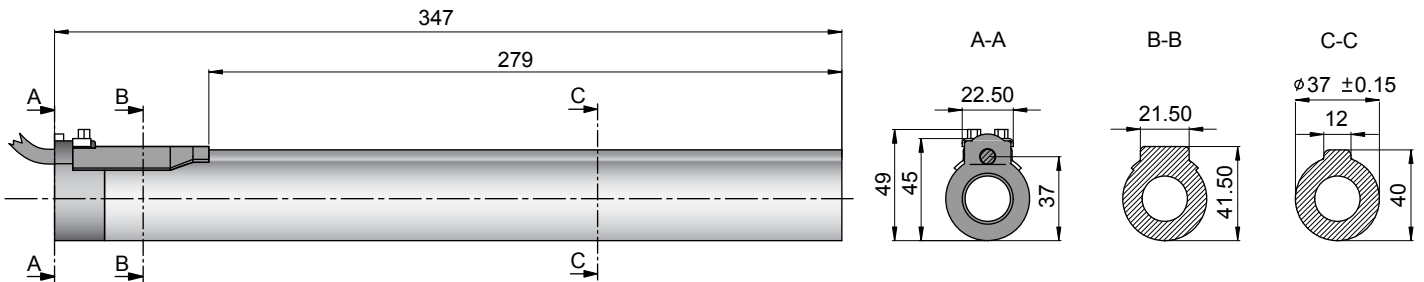


Connector Type



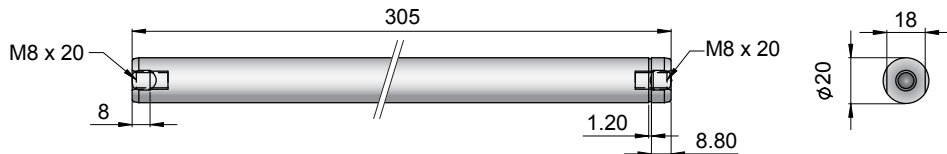
Linear Motor		Stator		Slider		
Type	Art.No	Type	Art. No.	Type	Art No.	
P01-37x240/100x100-C	-->	PS01-37x240-C	0150-1224	&	PL01-20x305/160	0150-1311
P01-37x240F/100x100-C	-->	PS01-37x240F-C	0150-1225	&	PL01-20x305/160	0150-1311

Cable Type



Linear Motor		Stator		Slider		
Type	Art.No	Type	Art. No.	Type	Art No.	
P01-37x240/100x100-P150	-->	PS01-37x240-P150	0150-1203	&	PL01-20x305/160	0150-1311
P01-37x240/100x100-C20	-->	PS01-37x240-C20	0150-1238	&	PL01-20x305/160	0150-1311
P01-37x240F/100x100-C20	-->	PS01-37x240F-C20	0150-1239	&	PL01-20x305/160	0150-1311

Slider



Standard Type	Slider Standard	PL01-20x305/160	0150-1311
Special Sliders	Heavy Duty Slider with WC/C-Coating	PL02-20x305/160	0150-1314
	Hollow Slider hole diameter 6.5mm	PL01-20x305/160-L	0150-1352
	High Clearance Slider d=19mm, m=448g	PL01-19x305/160	0150-1450

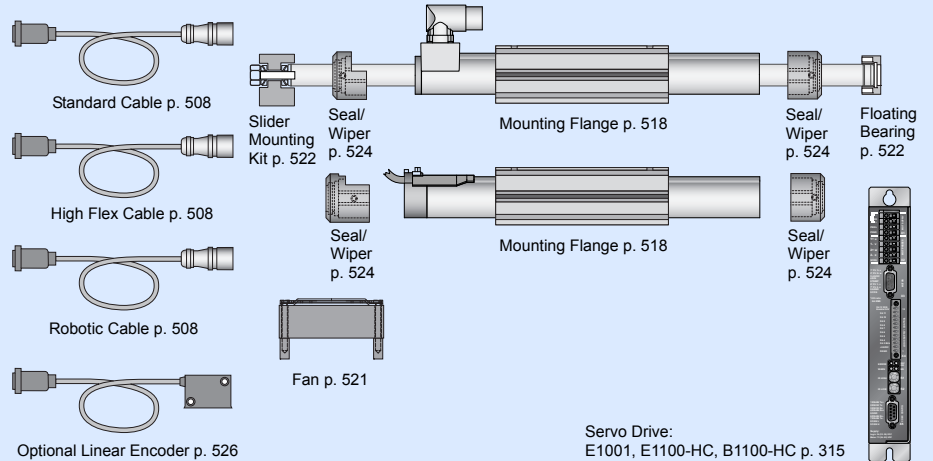
Connectors

Motor Connector Wiring

Cable Length:
P01-37x240... 1.5m
P01-37x240...-C20 0.2m

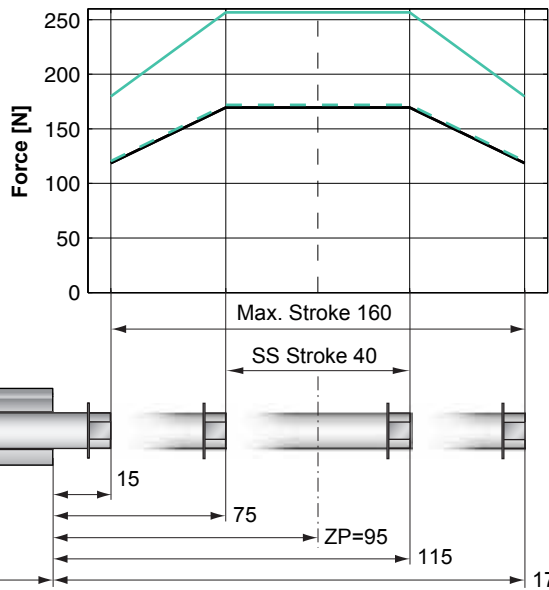
Wire Color	Terminal	Case	Order No.
Ph 1+	red	A	1
Ph 1-	pink	B	2
Ph 2+	blue	C	3
Ph 2-	grey	D	4
+5VDC	white	E	5
GND	inner Shield	F	6
Sine	yellow	G	7
Cosine	green	H	8
Temp.	black	L	9
Shield	outer Shield	Case	10

Accessoires



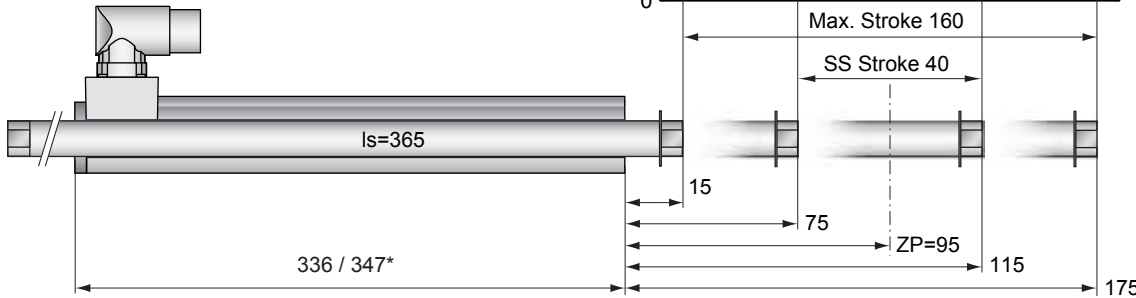
Servo Drive:
E1001, E1100-HC, B1100-HC p. 315

Max. Stroke: 160mm
Peak Force: 257N



Standard Winding:
 — E1100–HC, 72VDC
 — E1100, 72VDC & E1001, 72VDC

Fast Winding:
 — E1100–HC, 72VDC
 - - E1100, 72VDC & E1001, 72VDC

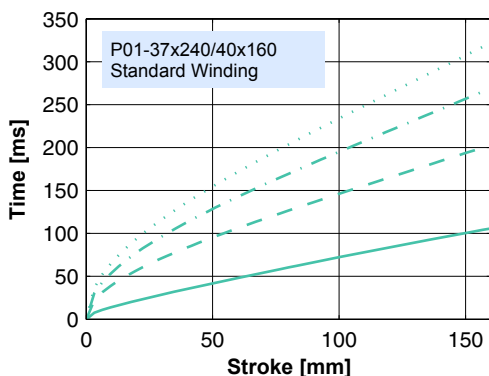


Dimensions in mm
 *Cable Type

Motor Specification

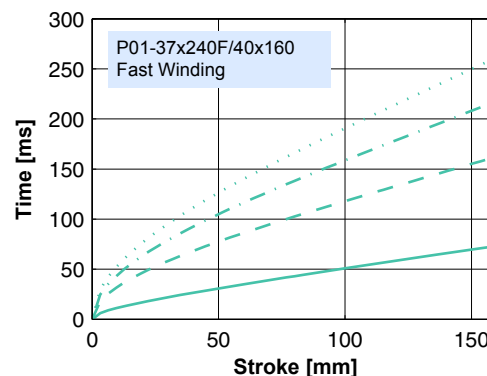
	P01-	Connector Type		Cable Type	
		Standard Winding 37x240/40x160-C	Fast Winding 37x240F/40x160-C	Standard Winding 37x240/40x160-P150 37x240/40x160-C20	Fast Winding 37x240F/40x160-C20
Extended Stroke ES	mm (in)	160 (6.30)	160 (6.30)	160 (6.30)	160 (6.30)
Standard Stroke SS	mm (in)	40 (1.57)	40 (1.57)	40 (1.57)	40 (1.57)
Peak Force E1100-HC	N (lbf)	169 (38.1)	257 (57.7)	169 (38.1)	257 (57.7)
Peak Force E1100 / E1001	N (lbf)	169 (38.1)	172 (38.7)	169 (38.1)	172 (38.7)
Cont. Force	N (lbf)	44 (10.0)	44 (10.0)	44 (10.0)	44 (10.0)
Cont. Force Fan cooling	N (lbf)	83 (18.7)	83 (18.7)	83 (18.7)	83 (18.7)
Border Force	%	70	70	70	70
Force Constant	N/A (lbf/A)	34.0 (7.64)	21.5 (4.83)	34.0 (7.64)	21.5 (4.83)
Max. Current @ 72VDC	A	5.0	11.9	5.0	11.9
Max. Current @ 48VDC	A	3.3	8.0	3.3	8.0
Max. Velocity @ 72VDC	m/s (in/s)	1.9 (77)	3.1 (121)	1.9 (77)	3.1 (121)
Max. Velocity @ 48VDC	m/s (in/s)	1.3 (51)	2.1 (81)	1.3 (51)	2.1 (81)
Phase Resist. 25/80 °C	Ohm	11.7/14.2	4.9/5.9	11.7/14.2	4.9/5.9
Phase Inductance	mH	6.0	2.4	6.0	2.4
Thermal Resistance	°K/W	2.3	2.2	2.3	2.2
Thermal Time Const.	sec	3400	3200	3400	3200
Stator Diameter	mm (in)	37 (1.46)	37 (1.46)	37 (1.46)	37 (1.46)
Stator Length	mm (in)	336 (13.23)	336 (13.23)	347 (13.66)	347 (13.66)
Stator Mass	g (lb)	1385 (3.05)	1385 (3.05)	1385 (3.05)	1385 (3.05)
Slider Diameter	mm (in)	20 (0.79)	20 (0.79)	20 (0.79)	20 (0.79)
Slider Length	mm (in)	365 (14.37)	365 (14.37)	365 (14.37)	365 (14.37)
Slider Mass	g (lb)	635 (1.40)	635 (1.40)	635 (1.40)	635 (1.40)
Position Repeatability	mm (in)	±0.05 (±0.0020)	±0.05 (±0.0020)	±0.05 (±0.0020)	±0.05 (±0.0020)
Linearity	%	±0.30	±0.30	±0.30	±0.30
Repeatability with EPS	mm (in)	±0.01 (±0.0004)	±0.01 (±0.0004)	±0.01 (±0.0004)	±0.01 (±0.0004)
Linearity with EPS	mm (in)	±0.01 (±0.0004)	±0.01 (±0.0004)	±0.01 (±0.0004)	±0.01 (±0.0004)

Position-Time Diagram



15.0 kg
 10.0 kg
 5.0 kg
 0.0 kg

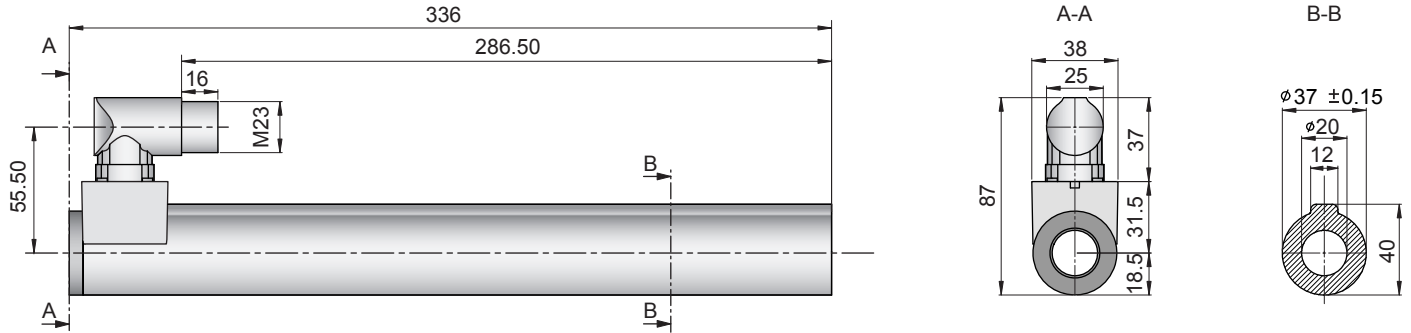
Moving Slider



15.0 kg
 10.0 kg
 5.0 kg
 0.0 kg

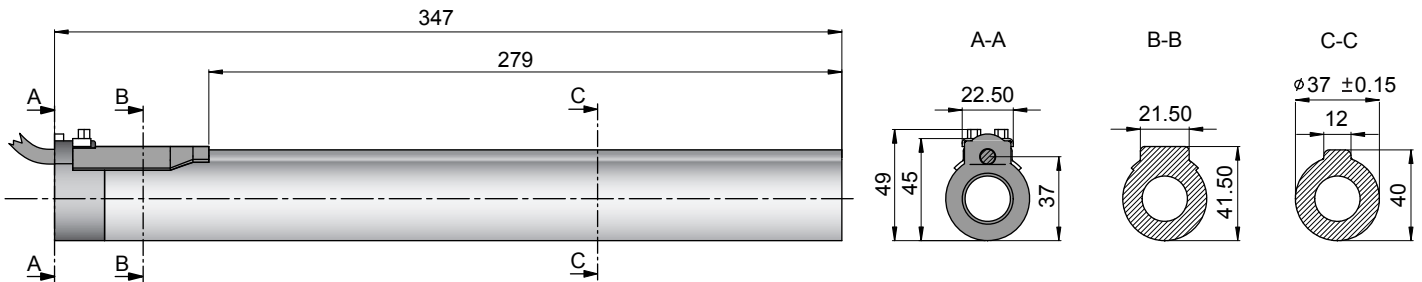
Moving Slider

Connector Type



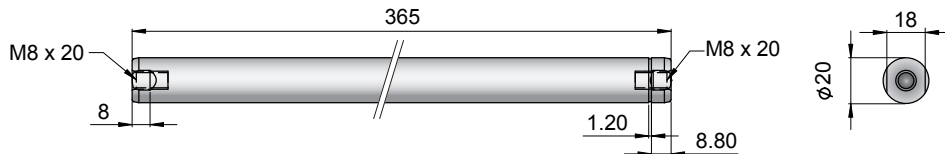
Linear Motor		Stator		Slider		
Type	Art.No	Type	Art. No.	Type	Art No.	
P01-37x240/40x160-C	-->	PS01-37x240-C	0150-1224	&	PL01-20x365/220	0150-1312
P01-37x240F/40x160-C	-->	PS01-37x240F-C	0150-1225	&	PL01-20x365/220	0150-1312

Cable Type



Linear Motor		Stator		Slider		
Type	Art.No	Type	Art. No.	Type	Art No.	
P01-37x240/40x160-P150	-->	PS01-37x240-P150	0150-1203	&	PL01-20x365/220	0150-1312
P01-37x240/40x160-C20	-->	PS01-37x240-C20	0150-1238	&	PL01-20x365/220	0150-1312
P01-37x240F/40x160-C20	-->	PS01-37x240F-C20	0150-1239	&	PL01-20x365/220	0150-1312

Slider



Standard Type	Slider Standard	PL01-20x365/220	0150-1312
Special Sliders	Heavy Duty Slider with WC/C-Coating	PL02-20x365/220	0150-1315
	Hollow Slider hole diameter 6.5mm	PL01-20x365/220-L	0150-1353
	High Clearance Slider d=19mm, m=573g	PL01-19x365/220	0150-1451

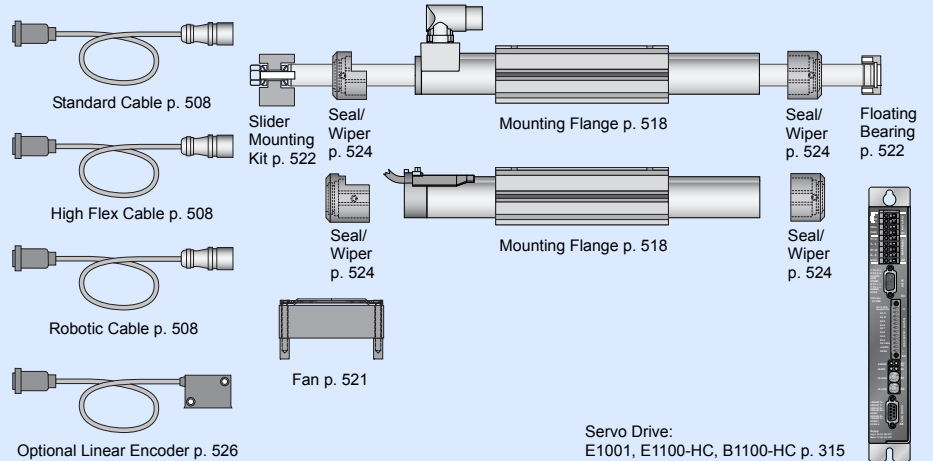
Connectors

Motor Connector Wiring

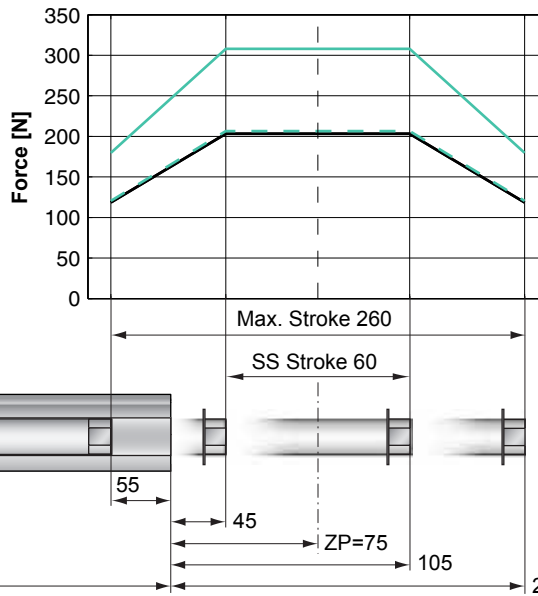
Cable Length:
P01-37x240... 1.5m
P01-37x240...-C20 0.2m

Wire Color	Terminal	Case	Order No.
Ph 1+	red	A	1
Ph 1-	pink	B	2
Ph 2+	blue	C	3
Ph 2-	grey	D	4
+5VDC	white	E	5
GND	inner Shield	F	6
Sine	yellow	G	7
Cosine	green	H	8
Temp.	black	L	9
Shield	outer Shield	Case	10

Accessoires

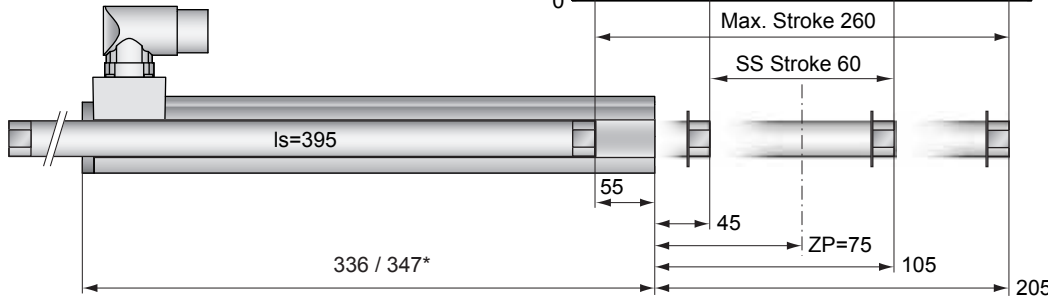


Max. Stroke: 260mm
Peak Force: 308N



Standard Winding:
 — E1100-HC, 72VDC
 — E1100, 72VDC & E1001, 72VDC

Fast Winding:
 — E1100-HC, 72VDC
 - - E1100, 72VDC & E1001, 72VDC

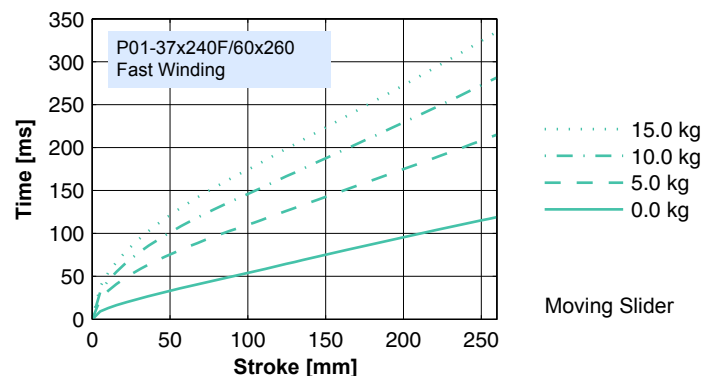
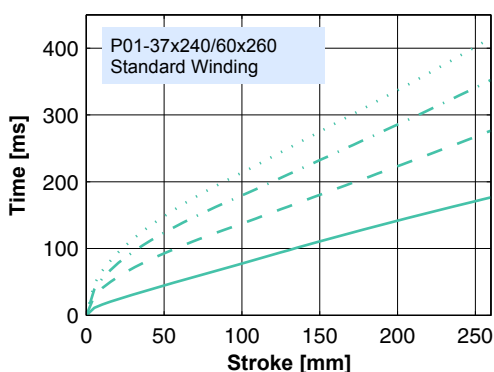


Dimensions in mm
 *Cable Type

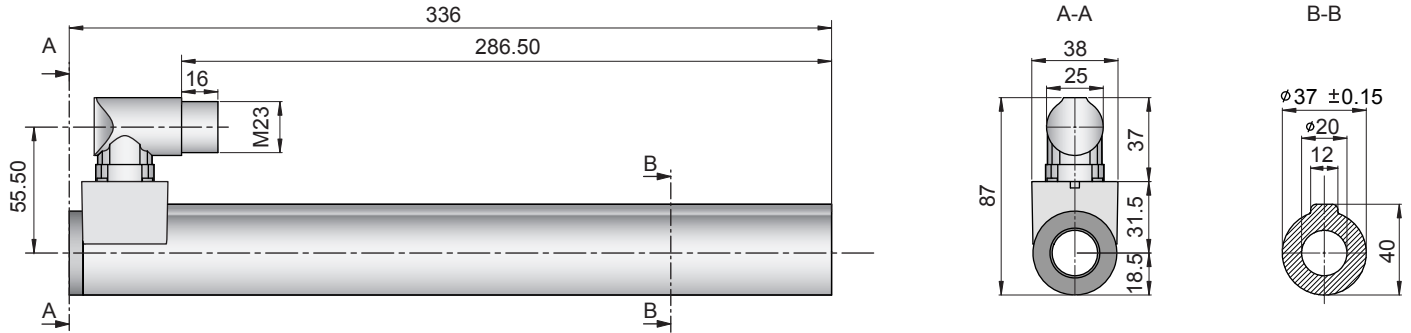
Motor Specification

	P01-	Connector Type		Cable Type	
		Standard Winding 37x240/60x260-C	Fast Winding 37x240F/60x260-C	Standard Winding 37x240/60x260-P150 37x240/60x260-C20	Fast Winding 37x240F/60x260-C20
Extended Stroke ES	mm (in)	260 (10.24)	260 (10.24)	260 (10.24)	260 (10.24)
Standard Stroke SS	mm (in)	60 (2.36)	60 (2.36)	60 (2.36)	60 (2.36)
Peak Force E1100-HC	N (lbf)	203 (45.7)	308 (69.2)	203 (45.7)	308 (69.2)
Peak Force E1100 / E1001	N (lbf)	203 (45.7)	206 (46.4)	203 (45.7)	206 (46.4)
Cont. Force	N (lbf)	53 (12.0)	53 (12.0)	53 (12.0)	53 (12.0)
Cont. Force Fan cooling	N (lbf)	100 (22.4)	100 (22.4)	100 (22.4)	100 (22.4)
Border Force	%	58	58	58	58
Force Constant	N/A (lbf/A)	40.8 (9.17)	25.8 (5.80)	40.8 (9.17)	25.8 (5.80)
Max. Current @ 72VDC	A	5.0	11.9	5.0	11.9
Max. Current @ 48VDC	A	3.3	8.0	3.3	8.0
Max. Velocity @ 72VDC	m/s (in/s)	1.6 (64)	2.6 (101)	1.6 (64)	2.6 (101)
Max. Velocity @ 48VDC	m/s (in/s)	1.1 (43)	1.7 (67)	1.1 (43)	1.7 (67)
Phase Resist. 25/80 °C	Ohm	11.7/14.2	4.9/5.9	11.7/14.2	4.9/5.9
Phase Inductance	mH	6.0	2.4	6.0	2.4
Thermal Resistance	°K/W	2.3	2.2	2.3	2.2
Thermal Time Const.	sec	3400	3200	3400	3200
Stator Diameter	mm (in)	37 (1.46)	37 (1.46)	37 (1.46)	37 (1.46)
Stator Length	mm (in)	336 (13.23)	336 (13.23)	347 (13.66)	347 (13.66)
Stator Mass	g (lb)	1385 (3.05)	1385 (3.05)	1385 (3.05)	1385 (3.05)
Slider Diameter	mm (in)	20 (0.79)	20 (0.79)	20 (0.79)	20 (0.79)
Slider Length	mm (in)	395 (15.55)	395 (15.55)	395 (15.55)	395 (15.55)
Slider Mass	g (lb)	829 (1.83)	829 (1.83)	829 (1.83)	829 (1.83)
Position Repeatability	mm (in)	±0.05 (±0.0020)	±0.05 (±0.0020)	±0.05 (±0.0020)	±0.05 (±0.0020)
Linearity	%	±0.20	±0.20	±0.20	±0.20
Repeatability with EPS	mm (in)	±0.01 (±0.0004)	±0.01 (±0.0004)	±0.01 (±0.0004)	±0.01 (±0.0004)
Linearity with EPS	mm (in)	±0.01 (±0.0004)	±0.01 (±0.0004)	±0.01 (±0.0004)	±0.01 (±0.0004)

Position-Time Diagram

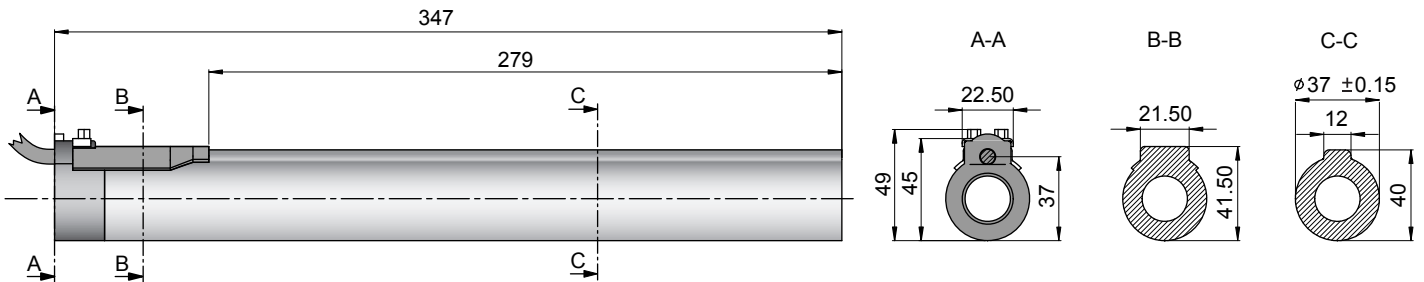


Connector Type



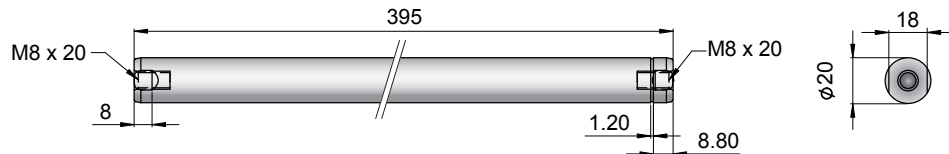
Linear Motor		Stator		Slider		
Type	Art.No	Type	Art. No.	Type	Art No.	
P01-37x240/60x260-C	-->	PS01-37x240-C	0150-1224	&	PL01-20x395/320	0150-1318
P01-37x240F/60x260-C	-->	PS01-37x240F-C	0150-1225	&	PL01-20x395/320	0150-1318

Cable Type



Linear Motor		Stator		Slider		
Type	Art.No	Type	Art. No.	Type	Art No.	
P01-37x240/60x260-P150	-->	PS01-37x240-P150	0150-1203	&	PL01-20x395/320	0150-1318
P01-37x240/60x260-C20	-->	PS01-37x240-C20	0150-1238	&	PL01-20x395/320	0150-1318
P01-37x240F/60x260-C20	-->	PS01-37x240F-C20	0150-1239	&	PL01-20x395/320	0150-1318

Slider



Standard Type	Slider Standard	PL01-20x395/320	0150-1318
Special Sliders	Heavy Duty Slider with WC/C-Coating	PL02-20x395/320	0150-1319
	Hollow Slider hole diameter 6.5mm	PL01-20x395/320-L	0150-1354
	High Clearance Slider d=19mm, m=748g	PL01-19x395/320	0150-1452

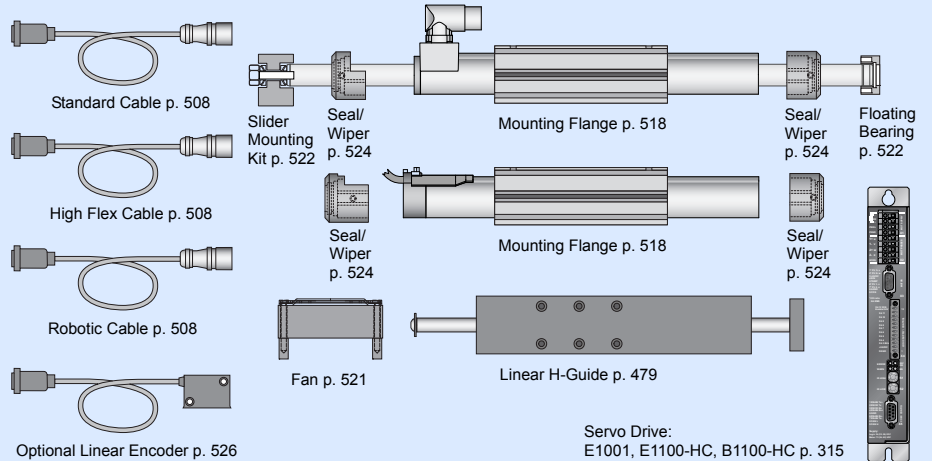
Connectors

Motor Connector Wiring

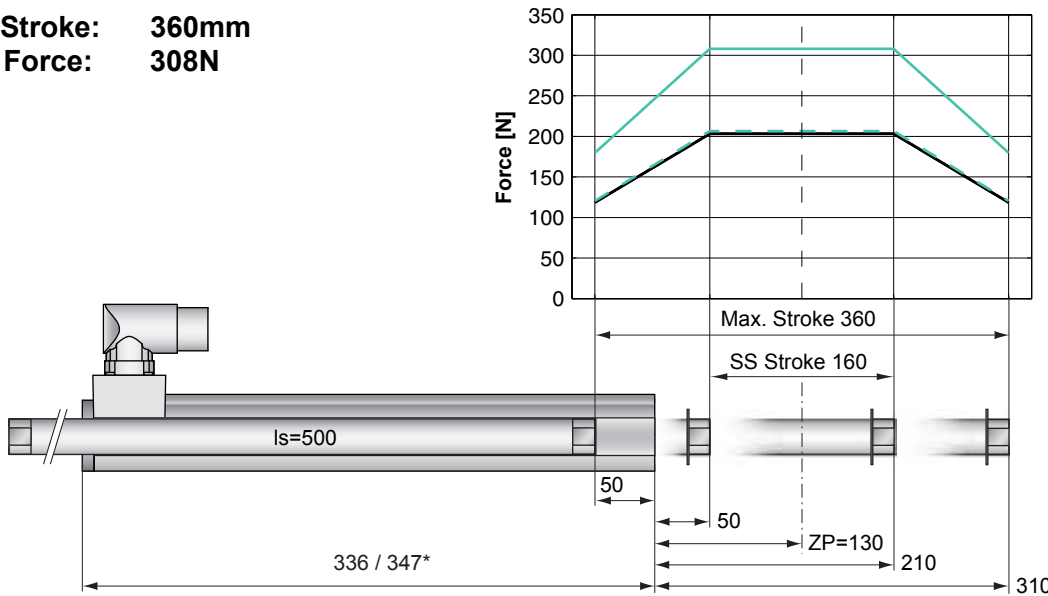
Cable Length:
P01-37x240... 1.5m
P01-37x240...-C20 0.2m

		P01-37...-C P01-37...-C20	P01-37...
Ph 1+	red	A	1
Ph 1-	pink	B	2
Ph 2+	blue	C	3
Ph 2-	grey	D	4
+5VDC	white	E	5
GND	inner Shield	F	6
Sine	yellow	G	7
Cosine	green	H	8
Temp.	black	L	9
Shield	outer Shield	Case	10

Accessoires



Max. Stroke: 360mm
Peak Force: 308N

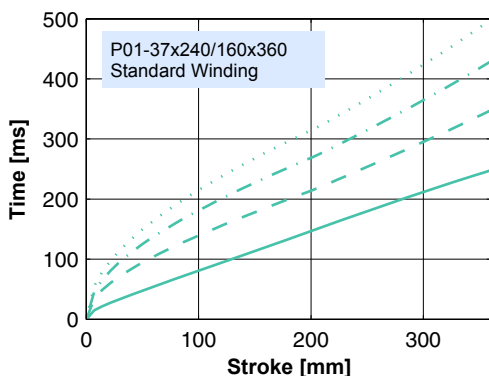


Dimensions in mm
 *Cable Type

Motor Specification

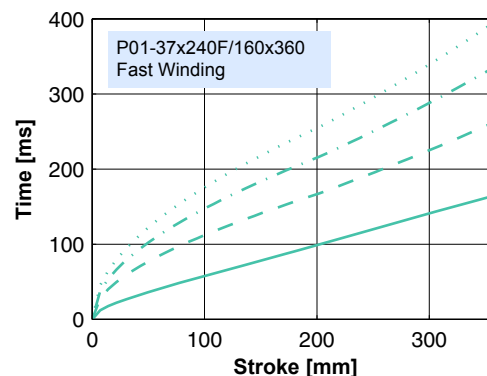
	P01-	Connector Type		Cable Type	
		Standard Winding 37x240/160x360-C	Fast Winding 37x240F/160x360-C	Standard Winding 37x240/160x360-P150 37x240/160x360-C20	Fast Winding 37x240F/160x360-C20
Extended Stroke ES	mm (in)	360 (14.17)	360 (14.17)	360 (14.17)	360 (14.17)
Standard Stroke SS	mm (in)	160 (6.30)	160 (6.30)	160 (6.30)	160 (6.30)
Peak Force E1100-HC	N (lbf)	203 (45.7)	308 (69.2)	203 (45.7)	308 (69.2)
Peak Force E1100 / E1001	N (lbf)	203 (45.7)	206 (46.4)	203 (45.7)	206 (46.4)
Cont. Force	N (lbf)	53 (12.0)	53 (12.0)	53 (12.0)	53 (12.0)
Cont. Force Fan cooling	N (lbf)	100 (22.4)	100 (22.4)	100 (22.4)	100 (22.4)
Border Force	%	58	58	58	58
Force Constant	N/A (lbf/A)	40.8 (9.17)	25.8 (5.80)	40.8 (9.17)	25.8 (5.80)
Max. Current @ 72VDC	A	5.0	11.9	5.0	11.9
Max. Current @ 48VDC	A	3.3	8.0	3.3	8.0
Max. Velocity @ 72VDC	m/s (in/s)	1.6 (64)	2.6 (101)	1.6 (64)	2.6 (101)
Max. Velocity @ 48VDC	m/s (in/s)	1.1 (43)	1.7 (67)	1.1 (43)	1.7 (67)
Phase Resist. 25/80 °C	Ohm	11.7/14.2	4.9/5.9	11.7/14.2	4.9/5.9
Phase Inductance	mH	6.0	2.4	6.0	2.4
Thermal Resistance	°K/W	2.3	2.2	2.3	2.2
Thermal Time Const.	sec	3400	3200	3400	3200
Stator Diameter	mm (in)	37 (1.46)	37 (1.46)	37 (1.46)	37 (1.46)
Stator Length	mm (in)	336 (13.23)	336 (13.23)	347 (13.66)	347 (13.66)
Stator Mass	g (lb)	1385 (3.05)	1385 (3.05)	1385 (3.05)	1385 (3.05)
Slider Diameter	mm (in)	20 (0.79)	20 (0.79)	20 (0.79)	20 (0.79)
Slider Length	mm (in)	500 (19.69)	500 (19.69)	500 (19.69)	500 (19.69)
Slider Mass	g (lb)	1064 (2.35)	1064 (2.35)	1064 (2.35)	1064 (2.35)
Position Repeatability	mm (in)	±0.05 (±0.0020)	±0.05 (±0.0020)	±0.05 (±0.0020)	±0.05 (±0.0020)
Linearity	%	±0.20	±0.20	±0.20	±0.20
Repeatability with EPS	mm (in)	±0.01 (±0.0004)	±0.01 (±0.0004)	±0.01 (±0.0004)	±0.01 (±0.0004)
Linearity with EPS	mm (in)	±0.01 (±0.0004)	±0.01 (±0.0004)	±0.01 (±0.0004)	±0.01 (±0.0004)

Position-Time Diagram



15.0 kg
 10.0 kg
 5.0 kg
 0.0 kg

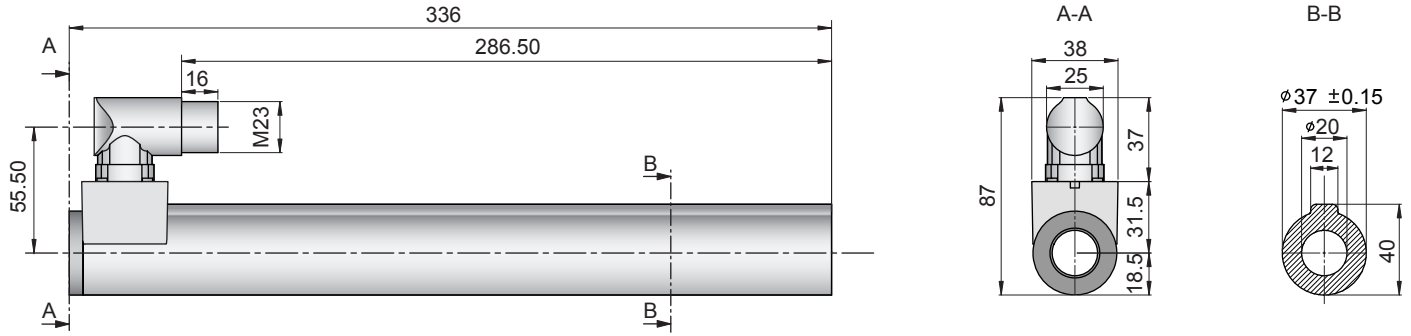
Moving Slider



15.0 kg
 10.0 kg
 5.0 kg
 0.0 kg

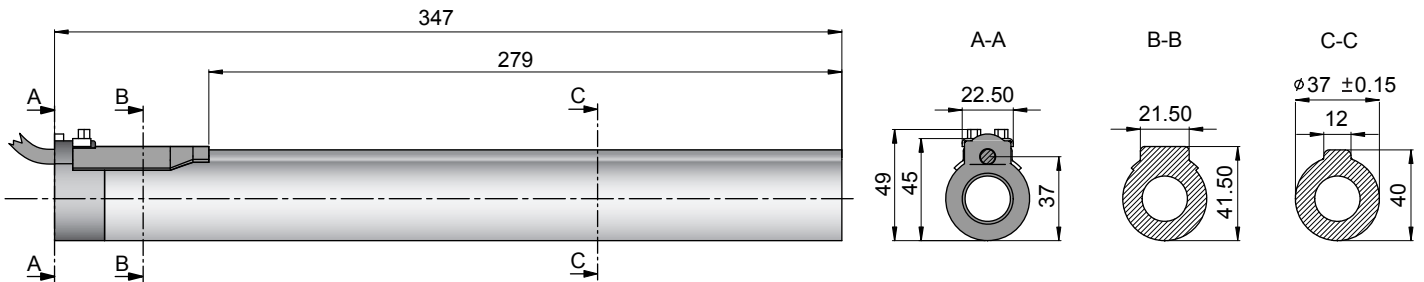
Moving Slider

Connector Type



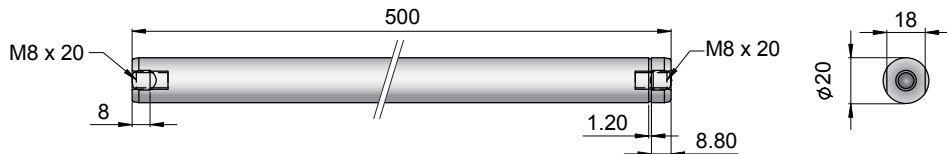
Linear Motor		Stator		Slider	
Type	Art.No	Type	Art. No.	Type	Art No.
P01-37x240/160x360-C	-->	PS01-37x240-C	0150-1224	& PL01-20x500/420	0150-1328
P01-37x240F/160x360-C	-->	PS01-37x240F-C	0150-1225	& PL01-20x500/420	0150-1328

Cable Type



Linear Motor		Stator		Slider	
Type	Art.No	Type	Art. No.	Type	Art No.
P01-37x240/160x360-P150	-->	PS01-37x240-P150	0150-1203	& PL01-20x500/420	0150-1328
P01-37x240/160x360-C20	-->	PS01-37x240-C20	0150-1238	& PL01-20x500/420	0150-1328
P01-37x240F/160x360-C20	-->	PS01-37x240F-C20	0150-1239	& PL01-20x500/420	0150-1328

Slider



Standard Type	Slider Standard	PL01-20x500/420	0150-1328
Special Sliders	Heavy Duty Slider with WC/C-Coating	PL02-20x500/420	0150-1329
	Hollow Slider hole diameter 6.5mm	PL01-20x500/420-L	0150-1358
	High Clearance Slider d=19mm, m=960g	PL01-19x500/420	0150-1455

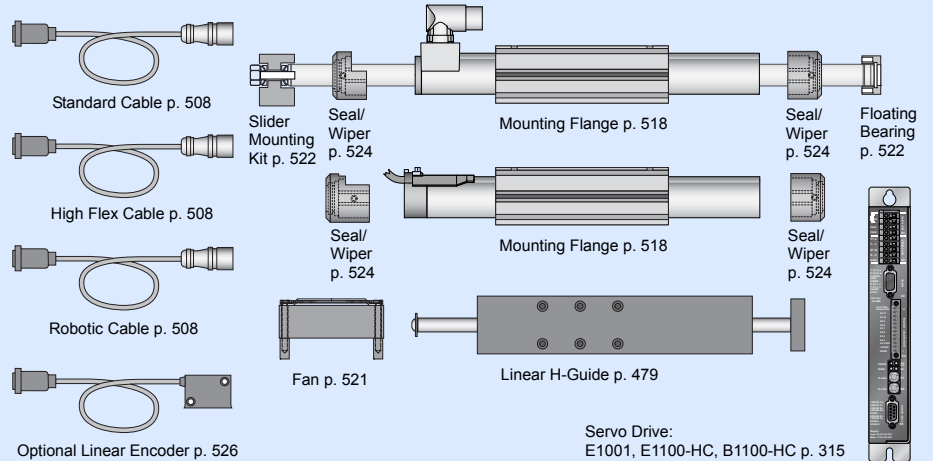
Connectors

Motor Connector Wiring

Cable Length:
P01-37x240... 1.5m
P01-37x240...-C20 0.2m

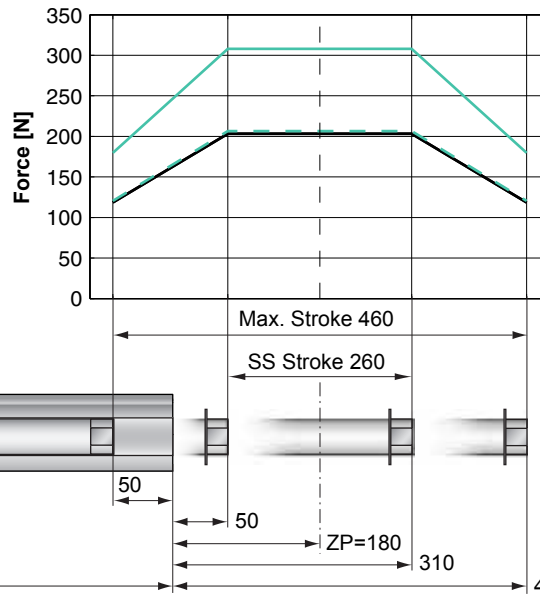
Pin	Color	Label	Case
Ph 1+	red	A	1
Ph 1-	pink	B	2
Ph 2+	blue	C	3
Ph 2-	grey	D	4
+5VDC	white	E	5
GND	inner Shield	F	6
Sine	yellow	G	7
Cosine	green	H	8
Temp.	black	L	9
Shield	outer Shield	Case	10

Accessoires



Servo Drive:
E1001, E1100-HC, B1100-HC p. 315

Max. Stroke: 460mm
Peak Force: 308N



Standard Winding:
 — E1100-HC, 72VDC
 — E1100, 72VDC & E1001, 72VDC

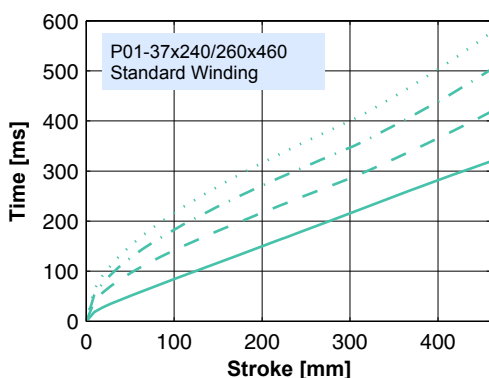
Fast Winding:
 — E1100-HC, 72VDC
 - - E1100, 72VDC & E1001, 72VDC

Dimensions in mm
 *Cable Type

Motor Specification

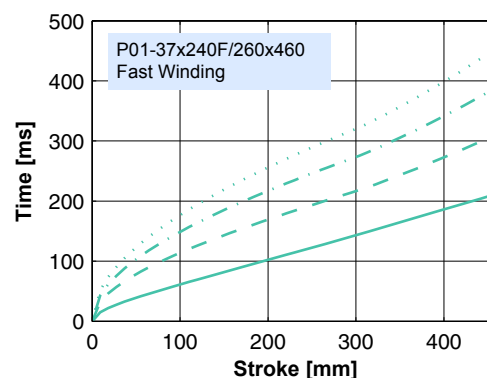
	P01-	Connector Type		Cable Type	
		Standard Winding 37x240/260x460-C	Fast Winding 37x240F/260x460-C	Standard Winding 37x240/260x460-P150 37x240/260x460-C20	Fast Winding 37x240F/260x460-C20
Extended Stroke ES	mm (in)	460 (18.11)	460 (18.11)	460 (18.11)	460 (18.11)
Standard Stroke SS	mm (in)	260 (10.24)	260 (10.24)	260 (10.24)	260 (10.24)
Peak Force E1100-HC	N (lbf)	203 (45.7)	308 (69.2)	203 (45.7)	308 (69.2)
Peak Force E1100 / E1001	N (lbf)	203 (45.7)	206 (46.4)	203 (45.7)	206 (46.4)
Cont. Force	N (lbf)	53 (12.0)	53 (12.0)	53 (12.0)	53 (12.0)
Cont. Force Fan cooling	N (lbf)	100 (22.4)	100 (22.4)	100 (22.4)	100 (22.4)
Border Force	%	58	58	58	58
Force Constant	N/A (lbf/A)	40.8 (9.17)	25.8 (5.80)	40.8 (9.17)	25.8 (5.80)
Max. Current @ 72VDC	A	5.0	11.9	5.0	11.9
Max. Current @ 48VDC	A	3.3	8.0	3.3	8.0
Max. Velocity @ 72VDC	m/s (in/s)	1.6 (64)	2.6 (101)	1.6 (64)	2.6 (101)
Max. Velocity @ 48VDC	m/s (in/s)	1.1 (43)	1.7 (67)	1.1 (43)	1.7 (67)
Phase Resist. 25/80 °C	Ohm	11.7/14.2	4.9/5.9	11.7/14.2	4.9/5.9
Phase Inductance	mH	6.0	2.4	6.0	2.4
Thermal Resistance	°K/W	2.3	2.2	2.3	2.2
Thermal Time Const.	sec	3400	3200	3400	3200
Stator Diameter	mm (in)	37 (1.46)	37 (1.46)	37 (1.46)	37 (1.46)
Stator Length	mm (in)	336 (13.23)	336 (13.23)	347 (13.66)	347 (13.66)
Stator Mass	g (lb)	1385 (3.05)	1385 (3.05)	1385 (3.05)	1385 (3.05)
Slider Diameter	mm (in)	20 (0.79)	20 (0.79)	20 (0.79)	20 (0.79)
Slider Length	mm (in)	600 (23.62)	600 (23.62)	600 (23.62)	600 (23.62)
Slider Mass	g (lb)	1297 (2.86)	1297 (2.86)	1297 (2.86)	1297 (2.86)
Position Repeatability	mm (in)	±0.05 (±0.0020)	±0.05 (±0.0020)	±0.05 (±0.0020)	±0.05 (±0.0020)
Linearity	%	±0.15	±0.15	±0.15	±0.15
Repeatability with EPS	mm (in)	±0.01 (±0.0004)	±0.01 (±0.0004)	±0.01 (±0.0004)	±0.01 (±0.0004)
Linearity with EPS	mm (in)	±0.01 (±0.0004)	±0.01 (±0.0004)	±0.01 (±0.0004)	±0.01 (±0.0004)

Position-Time Diagram



15.0 kg
 10.0 kg
 5.0 kg
 0.0 kg

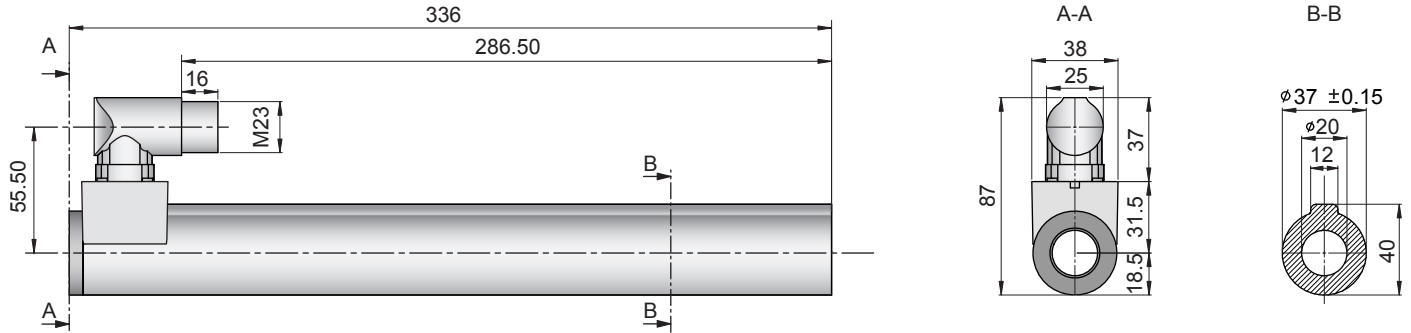
Moving Slider



15.0 kg
 10.0 kg
 5.0 kg
 0.0 kg

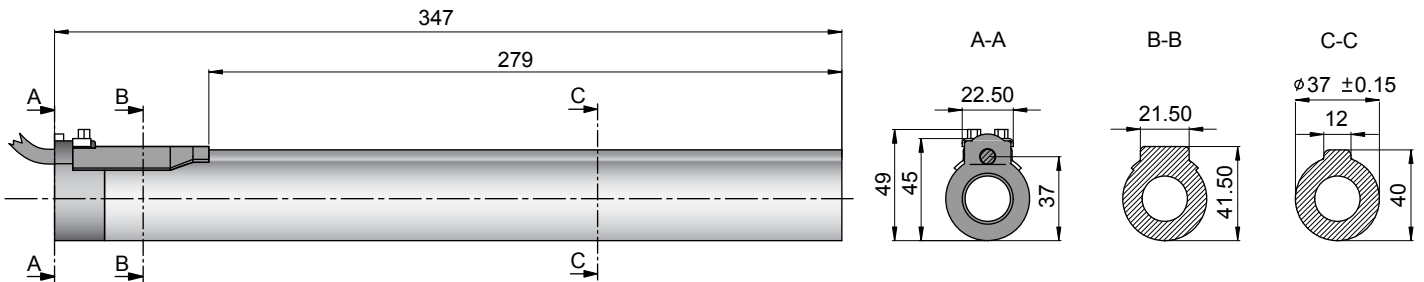
Moving Slider

Connector Type



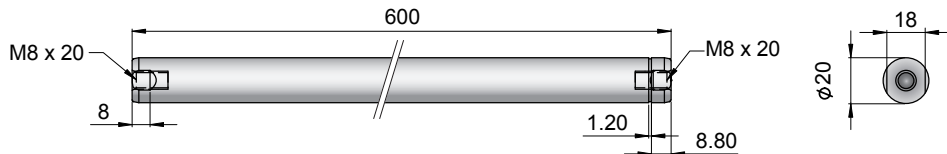
Linear Motor		Stator		Slider		
Type	Art.No	Type	Art. No.	Type	Art No.	
P01-37x240/260x460-C	-->	PS01-37x240-C	0150-1224	&	PL01-20x600/520	0150-1330
P01-37x240F/260x460-C	-->	PS01-37x240F-C	0150-1225	&	PL01-20x600/520	0150-1330

Cable Type



Linear Motor		Stator		Slider		
Type	Art.No	Type	Art. No.	Type	Art No.	
P01-37x240/260x460-P150	-->	PS01-37x240-P150	0150-1203	&	PL01-20x600/520	0150-1330
P01-37x240/260x460-C20	-->	PS01-37x240-C20	0150-1238	&	PL01-20x600/520	0150-1330
P01-37x240F/260x460-C20	-->	PS01-37x240F-C20	0150-1239	&	PL01-20x600/520	0150-1330

Slider



Standard Type	Slider Standard	PL01-20x600/520	0150-1330
Special Sliders	Heavy Duty Slider with WC/C-Coating	PL02-20x600/520	0150-1331
	Hollow Slider hole diameter 6.5mm	PL01-20x600/520-L	0150-1359
	High Clearance Slider d=19mm, m=1171g	PL01-19x600/520	0150-1456

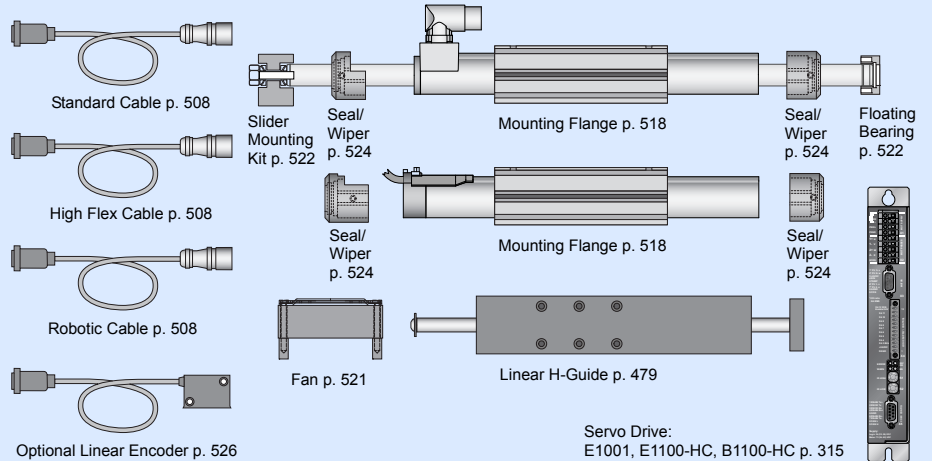
Connectors

Motor Connector Wiring

Cable Length:
P01-37x240... 1.5m
P01-37x240...-C20 0.2m

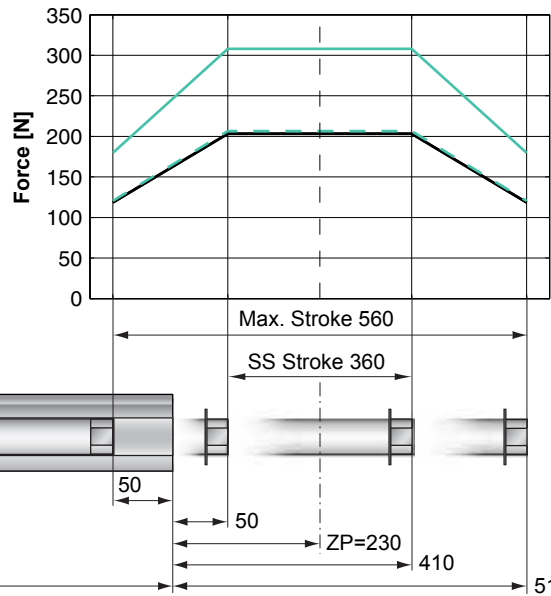
		P01-37...-C	P01-37...-C20	P01-37...
Ph 1+	red	A		1
Ph 1-	pink	B		2
Ph 2+	blue	C		3
Ph 2-	grey	D		4
+5VDC	white	E		5
GND	inner Shield	F		6
Sine	yellow	G		7
Cosine	green	H		8
Temp.	black	L		9
Shield	outer Shield	Case		10

Accessoires



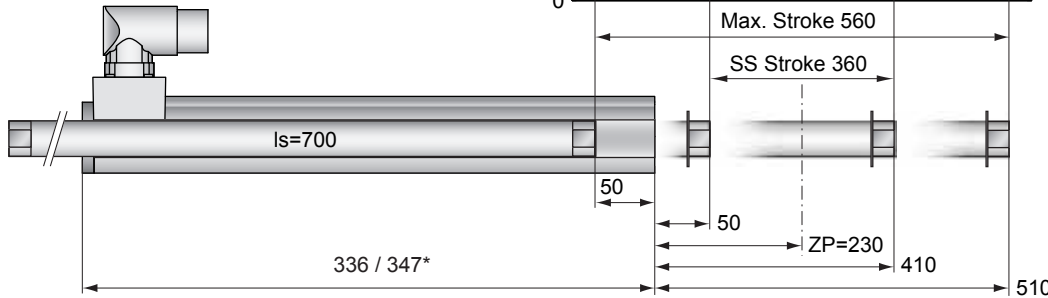
Servo Drive:
E1001, E1100-HC, B1100-HC p. 315

Max. Stroke: 560mm
Peak Force: 308N



Standard Winding:
 — E1100-HC, 72VDC
 - - E1100, 72VDC & E1001, 72VDC

Fast Winding:
 — E1100-HC, 72VDC
 - - E1100, 72VDC & E1001, 72VDC

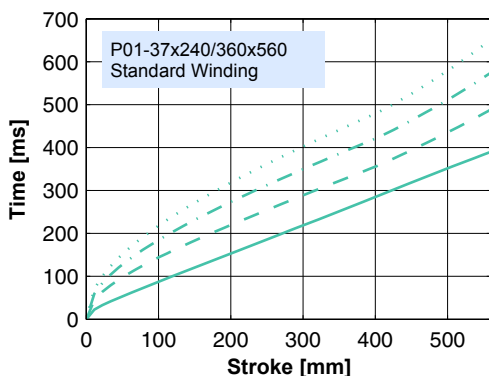


Dimensions in mm
 *Cable Type

Motor Specification

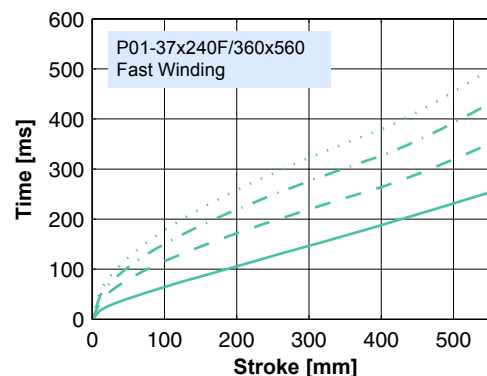
	P01-	Connector Type		Cable Type	
		Standard Winding 37x240/360x560-C	Fast Winding 37x240F/360x560-C	Standard Winding 37x240/360x560-P150 37x240/360x560-C20	Fast Winding 37x240F/360x560-C20
Extended Stroke ES	mm (in)	560 (22.05)	560 (22.05)	560 (22.05)	560 (22.05)
Standard Stroke SS	mm (in)	360 (14.17)	360 (14.17)	360 (14.17)	360 (14.17)
Peak Force E1100-HC	N (lbf)	203 (45.7)	308 (69.2)	203 (45.7)	308 (69.2)
Peak Force E1100 / E1001	N (lbf)	203 (45.7)	206 (46.4)	203 (45.7)	206 (46.4)
Cont. Force	N (lbf)	53 (12.0)	53 (12.0)	53 (12.0)	53 (12.0)
Cont. Force Fan cooling	N (lbf)	100 (22.4)	100 (22.4)	100 (22.4)	100 (22.4)
Border Force	%	58	58	58	58
Force Constant	N/A (lbf/A)	40.8 (9.17)	25.8 (5.80)	40.8 (9.17)	25.8 (5.80)
Max. Current @ 72VDC	A	5.0	11.9	5.0	11.9
Max. Current @ 48VDC	A	3.3	8.0	3.3	8.0
Max. Velocity @ 72VDC	m/s (in/s)	1.6 (64)	2.6 (101)	1.6 (64)	2.6 (101)
Max. Velocity @ 48VDC	m/s (in/s)	1.1 (43)	1.7 (67)	1.1 (43)	1.7 (67)
Phase Resist. 25/80 °C	Ohm	11.7/14.2	4.9/5.9	11.7/14.2	4.9/5.9
Phase Inductance	mH	6.0	2.4	6.0	2.4
Thermal Resistance	°K/W	2.3	2.2	2.3	2.2
Thermal Time Const.	sec	3400	3200	3400	3200
Stator Diameter	mm (in)	37 (1.46)	37 (1.46)	37 (1.46)	37 (1.46)
Stator Length	mm (in)	336 (13.23)	336 (13.23)	347 (13.66)	347 (13.66)
Stator Mass	g (lb)	1385 (3.05)	1385 (3.05)	1385 (3.05)	1385 (3.05)
Slider Diameter	mm (in)	20 (0.79)	20 (0.79)	20 (0.79)	20 (0.79)
Slider Length	mm (in)	700 (27.56)	700 (27.56)	700 (27.56)	700 (27.56)
Slider Mass	g (lb)	1529 (3.37)	1529 (3.37)	1529 (3.37)	1529 (3.37)
Position Repeatability	mm (in)	±0.05 (±0.0020)	±0.05 (±0.0020)	±0.05 (±0.0020)	±0.05 (±0.0020)
Linearity	%	±0.15	±0.15	±0.15	±0.15
Repeatability with EPS	mm (in)	±0.01 (±0.0004)	±0.01 (±0.0004)	±0.01 (±0.0004)	±0.01 (±0.0004)
Linearity with EPS	mm (in)	±0.01 (±0.0004)	±0.01 (±0.0004)	±0.01 (±0.0004)	±0.01 (±0.0004)

Position-Time Diagram



15.0 kg
 10.0 kg
 5.0 kg
 0.0 kg

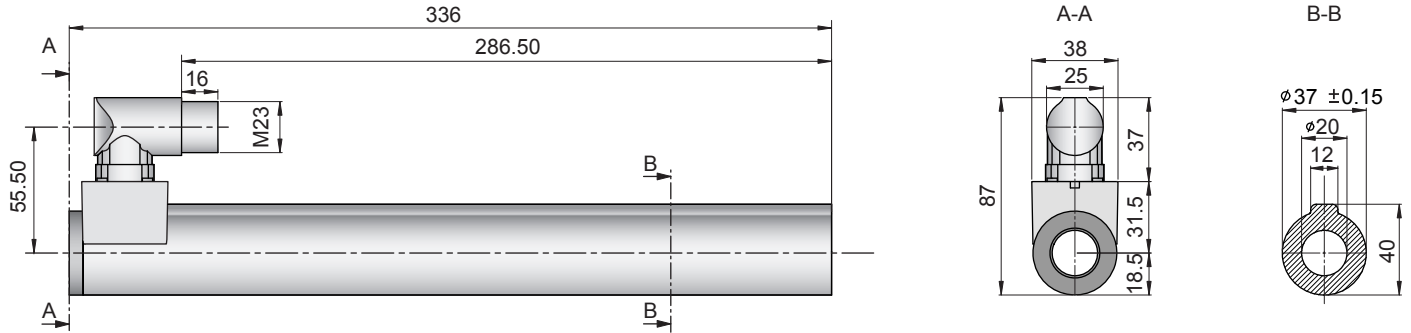
Moving Slider



15.0 kg
 10.0 kg
 5.0 kg
 0.0 kg

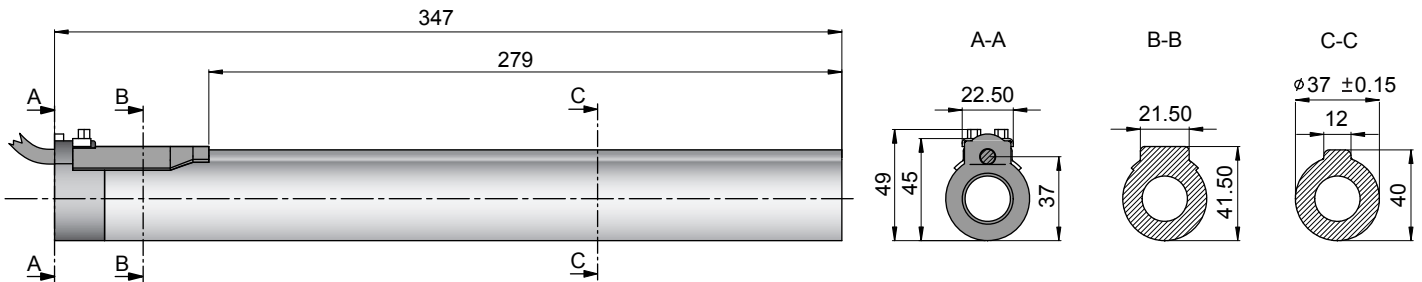
Moving Slider

Connector Type



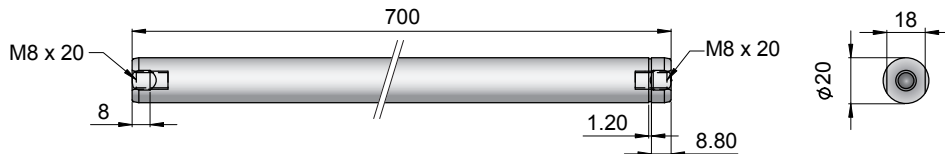
Linear Motor		Stator		Slider	
Type	Art.No	Type	Art. No.	Type	Art No.
P01-37x240/360x560-C	-->	PS01-37x240-C	0150-1224	&	PL01-20x700/620
P01-37x240F/360x560-C	-->	PS01-37x240F-C	0150-1225	&	PL01-20x700/620
					0150-1332

Cable Type



Linear Motor		Stator		Slider	
Type	Art.No	Type	Art. No.	Type	Art No.
P01-37x240/360x560-P150	-->	PS01-37x240-P150	0150-1203	&	PL01-20x700/620
P01-37x240/360x560-C20	-->	PS01-37x240-C20	0150-1238	&	PL01-20x700/620
P01-37x240F/360x560-C20	-->	PS01-37x240F-C20	0150-1239	&	PL01-20x700/620
					0150-1332

Slider



Standard Type	Slider Standard	PL01-20x700/620	0150-1332
Special Sliders	Heavy Duty Slider with WC/C-Coating	PL02-20x700/620	0150-1333
	Hollow Slider hole diameter 6.5mm	PL01-20x700/620-L	0150-1360
	High Clearance Slider d=19mm, m=1380g	PL01-19x700/620	0150-1457

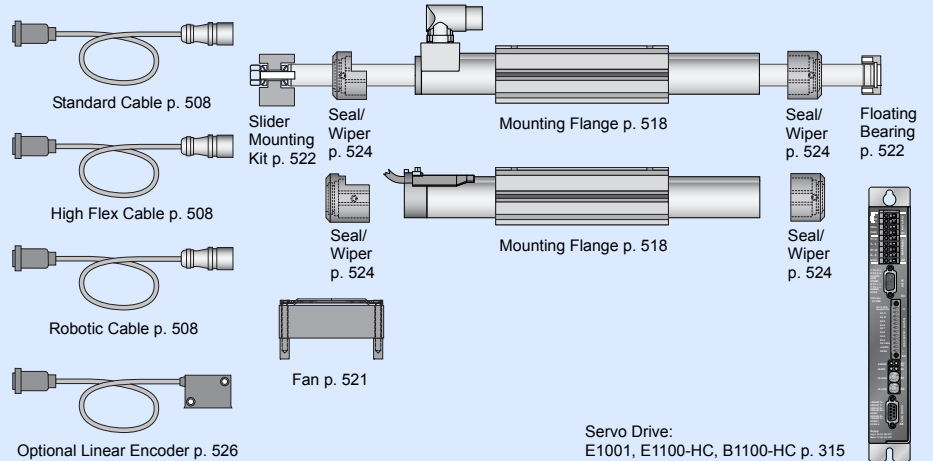
Connectors

Motor Connector Wiring

Cable Length:
P01-37x240... 1.5m
P01-37x240...-C20 0.2m

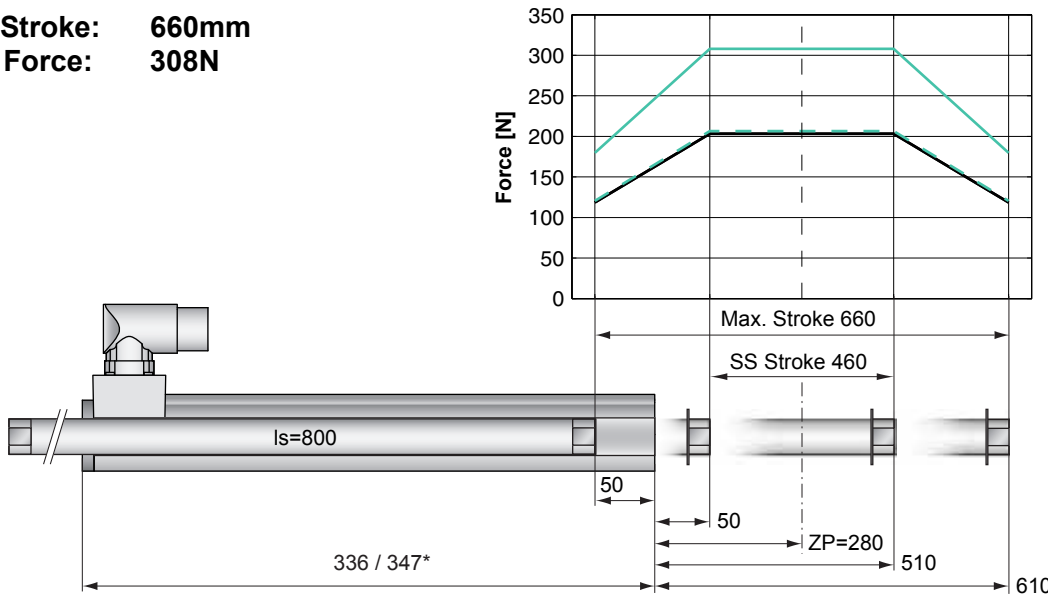
Ph	Color	Terminal	Case
Ph 1+	red	A	1
Ph 1-	pink	B	2
Ph 2+	blue	C	3
Ph 2-	grey	D	4
+5VDC	white	E	5
GND	inner Shield	F	6
Sine	yellow	G	7
Cosine	green	H	8
Temp.	black	L	9
Shield	outer Shield	Case	10

Accessoires



Servo Drive:
E1001, E1100-HC, B1100-HC p. 315

Max. Stroke: 660mm
Peak Force: 308N



Standard Winding:
 — E1100-HC, 72VDC
 — E1100, 72VDC & E1001, 72VDC

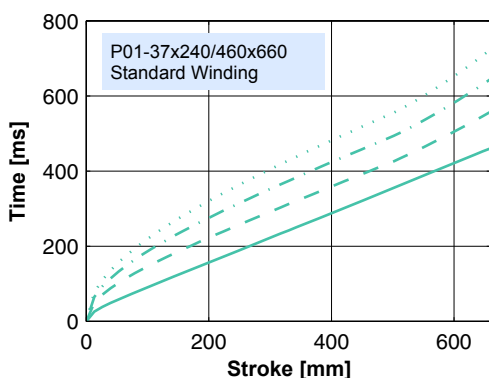
Fast Winding:
 - - E1100-HC, 72VDC
 - - E1100, 72VDC & E1001, 72VDC

Dimensions in mm
 *Cable Type

Motor Specification

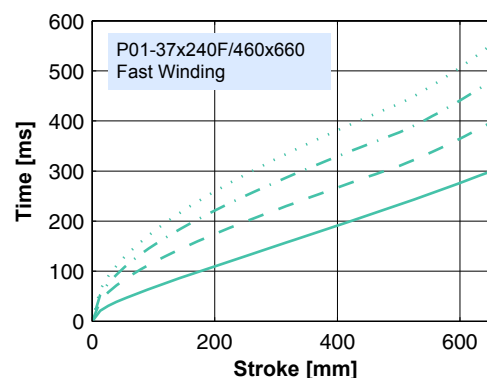
	P01-	Connector Type		Cable Type	
		Standard Winding 37x240/460x660-C	Fast Winding 37x240F/460x660-C	Standard Winding 37x240/460x660-P150 37x240/460x660-C20	Fast Winding 37x240F/460x660-C20
Extended Stroke ES	mm (in)	660 (25.98)	660 (25.98)	660 (25.98)	660 (25.98)
Standard Stroke SS	mm (in)	460 (18.11)	460 (18.11)	460 (18.11)	460 (18.11)
Peak Force E1100-HC	N (lbf)	203 (45.7)	308 (69.2)	203 (45.7)	308 (69.2)
Peak Force E1100 / E1001	N (lbf)	203 (45.7)	206 (46.4)	203 (45.7)	206 (46.4)
Cont. Force	N (lbf)	53 (12.0)	53 (12.0)	53 (12.0)	53 (12.0)
Cont. Force Fan cooling	N (lbf)	100 (22.4)	100 (22.4)	100 (22.4)	100 (22.4)
Border Force	%	58	58	58	58
Force Constant	N/A (lbf/A)	40.8 (9.17)	25.8 (5.80)	40.8 (9.17)	25.8 (5.80)
Max. Current @ 72VDC	A	5.0	11.9	5.0	11.9
Max. Current @ 48VDC	A	3.3	8.0	3.3	8.0
Max. Velocity @ 72VDC	m/s (in/s)	1.6 (64)	2.6 (101)	1.6 (64)	2.6 (101)
Max. Velocity @ 48VDC	m/s (in/s)	1.1 (43)	1.7 (67)	1.1 (43)	1.7 (67)
Phase Resist. 25/80 °C	Ohm	11.7/14.2	4.9/5.9	11.7/14.2	4.9/5.9
Phase Inductance	mH	6.0	2.4	6.0	2.4
Thermal Resistance	°K/W	2.3	2.2	2.3	2.2
Thermal Time Const.	sec	3400	3200	3400	3200
Stator Diameter	mm (in)	37 (1.46)	37 (1.46)	37 (1.46)	37 (1.46)
Stator Length	mm (in)	336 (13.23)	336 (13.23)	347 (13.66)	347 (13.66)
Stator Mass	g (lb)	1385 (3.05)	1385 (3.05)	1385 (3.05)	1385 (3.05)
Slider Diameter	mm (in)	20 (0.79)	20 (0.79)	20 (0.79)	20 (0.79)
Slider Length	mm (in)	800 (31.50)	800 (31.50)	800 (31.50)	800 (31.50)
Slider Mass	g (lb)	1762 (3.88)	1762 (3.88)	1762 (3.88)	1762 (3.88)
Position Repeatability	mm (in)	±0.05 (±0.0020)	±0.05 (±0.0020)	±0.05 (±0.0020)	±0.05 (±0.0020)
Linearity	%	±0.15	±0.15	±0.15	±0.15
Repeatability with EPS	mm (in)	±0.01 (±0.0004)	±0.01 (±0.0004)	±0.01 (±0.0004)	±0.01 (±0.0004)
Linearity with EPS	mm (in)	±0.01 (±0.0004)	±0.01 (±0.0004)	±0.01 (±0.0004)	±0.01 (±0.0004)

Position-Time Diagram



15.0 kg
 10.0 kg
 5.0 kg
 0.0 kg

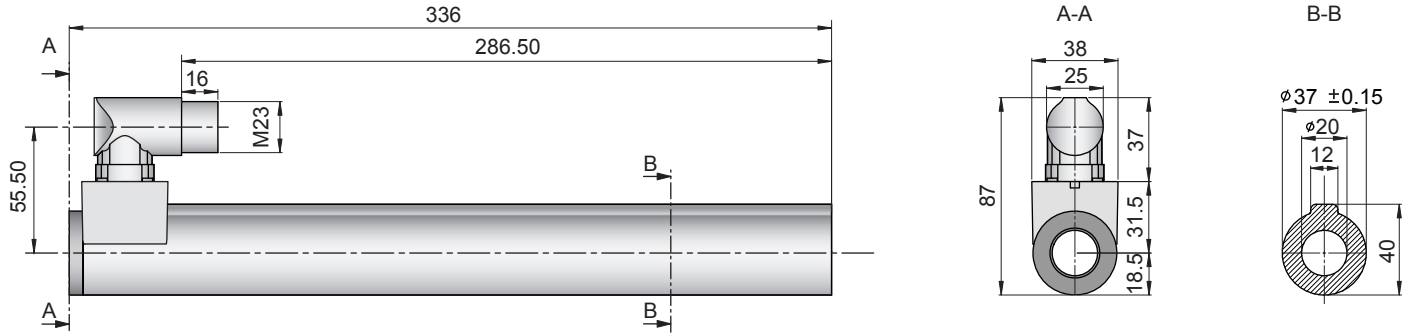
Moving Slider



15.0 kg
 10.0 kg
 5.0 kg
 0.0 kg

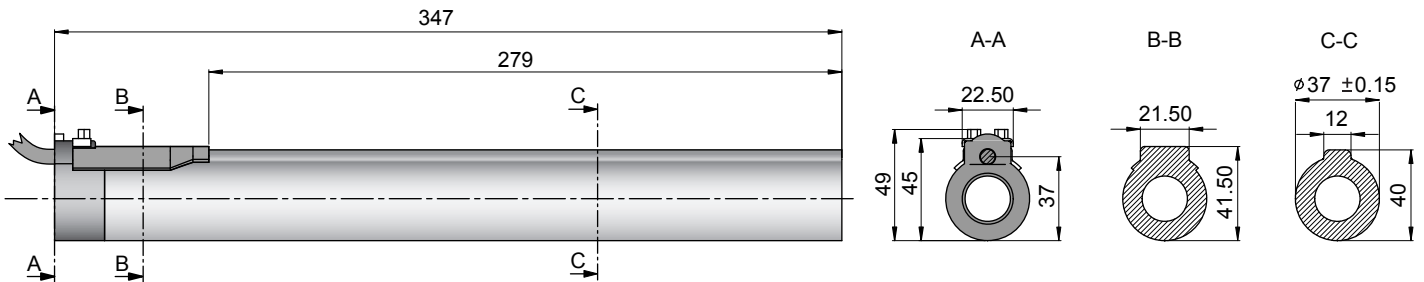
Moving Slider

Connector Type



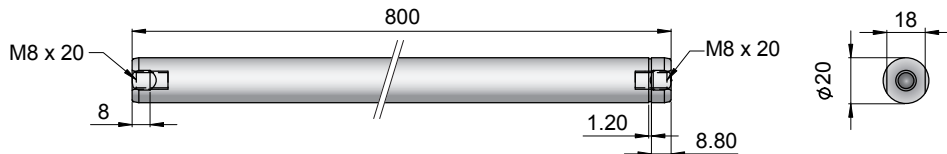
Linear Motor		Stator		Slider	
Type	Art.No	Type	Art. No.	Type	Art No.
P01-37x240/460x660-C	-->	PS01-37x240-C	0150-1224	& PL01-20x800/720	0150-1334
P01-37x240F/460x660-C	-->	PS01-37x240F-C	0150-1225	& PL01-20x800/720	0150-1334

Cable Type



Linear Motor		Stator		Slider	
Type	Art.No	Type	Art. No.	Type	Art No.
P01-37x240/460x660-P150	-->	PS01-37x240-P150	0150-1203	& PL01-20x800/720	0150-1334
P01-37x240/460x660-C20	-->	PS01-37x240-C20	0150-1238	& PL01-20x800/720	0150-1334
P01-37x240F/460x660-C20	-->	PS01-37x240F-C20	0150-1239	& PL01-20x800/720	0150-1334

Slider



Standard Type	Slider Standard	PL01-20x800/720	0150-1334
Special Sliders	Heavy Duty Slider with WC/C-Coating	PL02-20x800/720	0150-1335
	Hollow Slider hole diameter 6.5mm	PL01-20x800/720-L	0150-1361

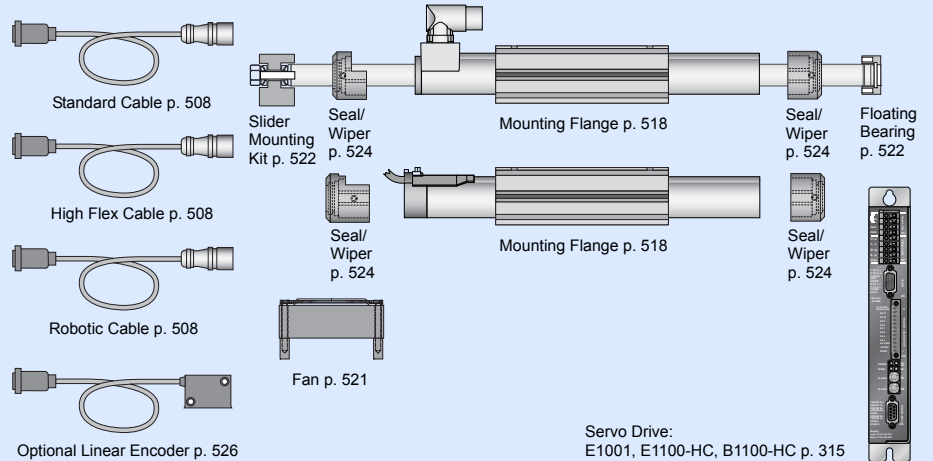
Connectors

Motor Connector Wiring

Cable Length:
P01-37x240... 1.5m
P01-37x240...-C20 0.2m

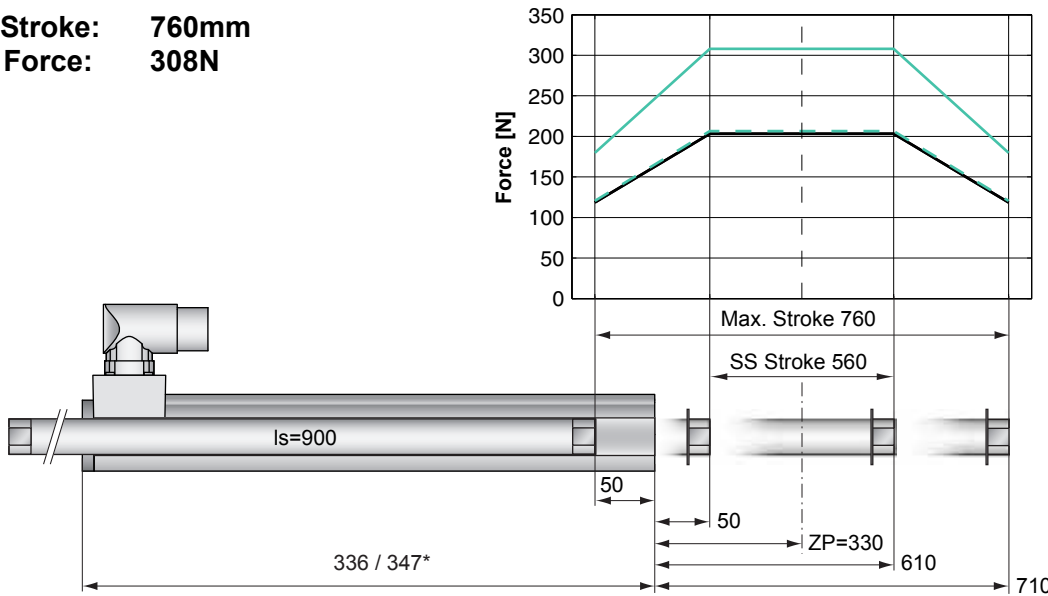
Wire Color	Wire Label	Terminal	Order
Ph 1+	red	A	1
Ph 1-	pink	B	2
Ph 2+	blue	C	3
Ph 2-	grey	D	4
+5VDC	white	E	5
GND	inner Shield	F	6
Sine	yellow	G	7
Cosine	green	H	8
Temp.	black	L	9
Shield	outer Shield	Case	10

Accessoires



Servo Drive:
E1001, E1100-HC, B1100-HC p. 315

Max. Stroke: 760mm
Peak Force: 308N

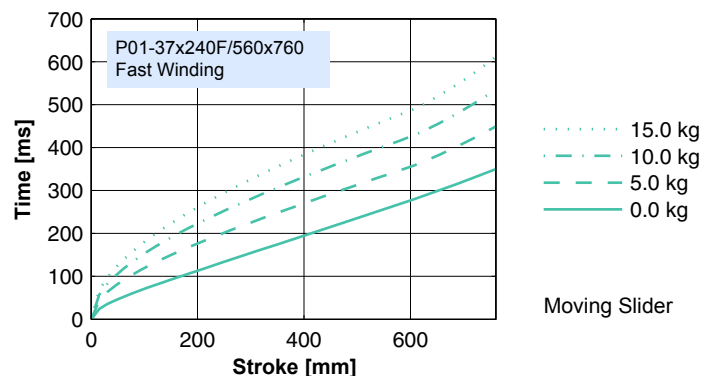
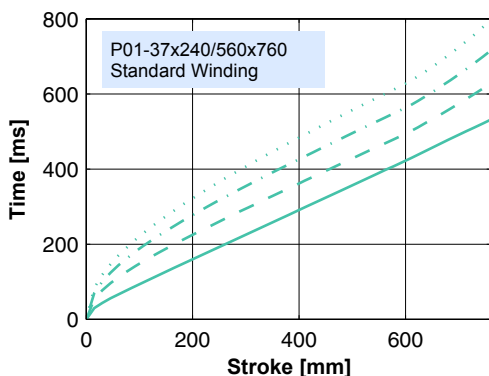


Dimensions in mm
 *Cable Type

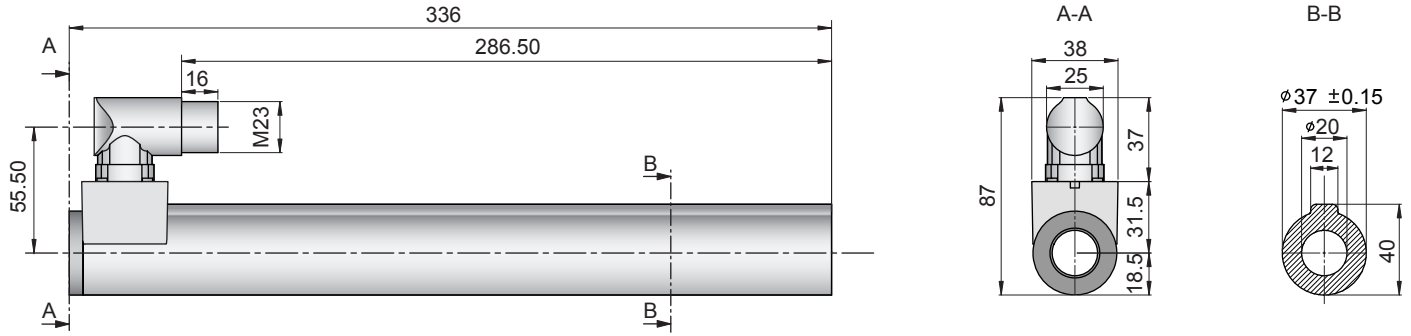
Motor Specification

	P01-	Connector Type		Cable Type	
		Standard Winding 37x240/560x760-C	Fast Winding 37x240F/560x760-C	Standard Winding 37x240/560x760-P150 37x240/560x760-C20	Fast Winding 37x240F/560x760-C20
Extended Stroke ES	mm (in)	760 (29.92)	760 (29.92)	760 (29.92)	760 (29.92)
Standard Stroke SS	mm (in)	560 (22.05)	560 (22.05)	560 (22.05)	560 (22.05)
Peak Force E1100-HC	N (lbf)	203 (45.7)	308 (69.2)	203 (45.7)	308 (69.2)
Peak Force E1100 / E1001	N (lbf)	203 (45.7)	206 (46.4)	203 (45.7)	206 (46.4)
Cont. Force	N (lbf)	53 (12.0)	53 (12.0)	53 (12.0)	53 (12.0)
Cont. Force Fan cooling	N (lbf)	100 (22.4)	100 (22.4)	100 (22.4)	100 (22.4)
Border Force	%	58	58	58	58
Force Constant	N/A (lbf/A)	40.8 (9.17)	25.8 (5.80)	40.8 (9.17)	25.8 (5.80)
Max. Current @ 72VDC	A	5.0	11.9	5.0	11.9
Max. Current @ 48VDC	A	3.3	8.0	3.3	8.0
Max. Velocity @ 72VDC	m/s (in/s)	1.6 (64)	2.6 (101)	1.6 (64)	2.6 (101)
Max. Velocity @ 48VDC	m/s (in/s)	1.1 (43)	1.7 (67)	1.1 (43)	1.7 (67)
Phase Resist. 25/80 °C	Ohm	11.7/14.2	4.9/5.9	11.7/14.2	4.9/5.9
Phase Inductance	mH	6.0	2.4	6.0	2.4
Thermal Resistance	°K/W	2.3	2.2	2.3	2.2
Thermal Time Const.	sec	3400	3200	3400	3200
Stator Diameter	mm (in)	37 (1.46)	37 (1.46)	37 (1.46)	37 (1.46)
Stator Length	mm (in)	336 (13.23)	336 (13.23)	347 (13.66)	347 (13.66)
Stator Mass	g (lb)	1385 (3.05)	1385 (3.05)	1385 (3.05)	1385 (3.05)
Slider Diameter	mm (in)	20 (0.79)	20 (0.79)	20 (0.79)	20 (0.79)
Slider Length	mm (in)	900 (35.43)	900 (35.43)	900 (35.43)	900 (35.43)
Slider Mass	g (lb)	1994 (4.40)	1994 (4.40)	1994 (4.40)	1994 (4.40)
Position Repeatability	mm (in)	±0.05 (±0.0020)	±0.05 (±0.0020)	±0.05 (±0.0020)	±0.05 (±0.0020)
Linearity	%	±0.15	±0.15	±0.15	±0.15
Repeatability with EPS	mm (in)	±0.01 (±0.0004)	±0.01 (±0.0004)	±0.01 (±0.0004)	±0.01 (±0.0004)
Linearity with EPS	mm (in)	±0.01 (±0.0004)	±0.01 (±0.0004)	±0.01 (±0.0004)	±0.01 (±0.0004)

Position-Time Diagram

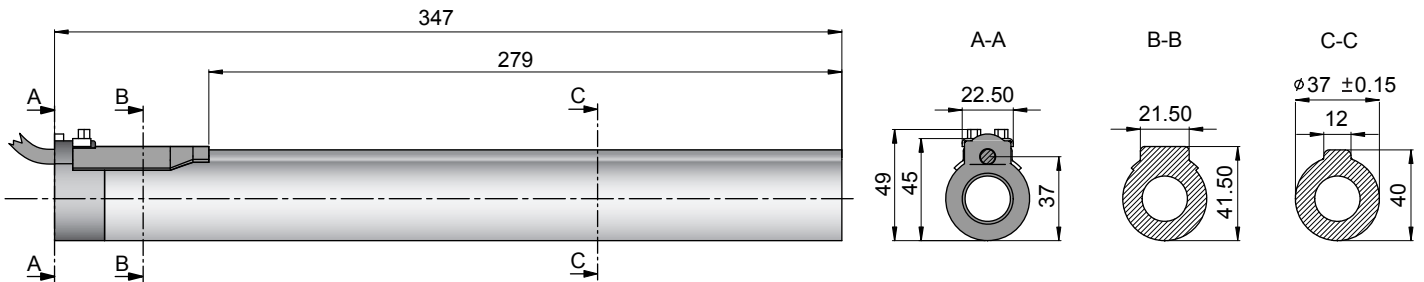


Connector Type



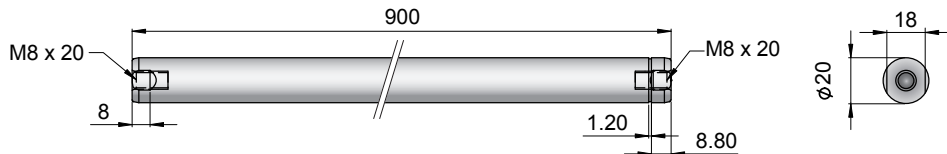
Linear Motor		Stator		Slider	
Type	Art.No	Type	Art. No.	Type	Art No.
P01-37x240/560x760-C	-->	PS01-37x240-C	0150-1224	& PL01-20x900/820	0150-1336
P01-37x240F/560x760-C	-->	PS01-37x240F-C	0150-1225	& PL01-20x900/820	0150-1336

Cable Type



Linear Motor		Stator		Slider	
Type	Art.No	Type	Art. No.	Type	Art No.
P01-37x240/560x760-P150	-->	PS01-37x240-P150	0150-1203	& PL01-20x900/820	0150-1336
P01-37x240/560x760-C20	-->	PS01-37x240-C20	0150-1238	& PL01-20x900/820	0150-1336
P01-37x240F/560x760-C20	-->	PS01-37x240F-C20	0150-1239	& PL01-20x900/820	0150-1336

Slider



Standard Type	Slider Standard	PL01-20x900/820	0150-1336
Special Sliders	Heavy Duty Slider with WC/C-Coating	PL02-20x900/820	0150-1337
	Hollow Slider hole diameter 6.5mm	PL01-20x900/820-L	0150-1362

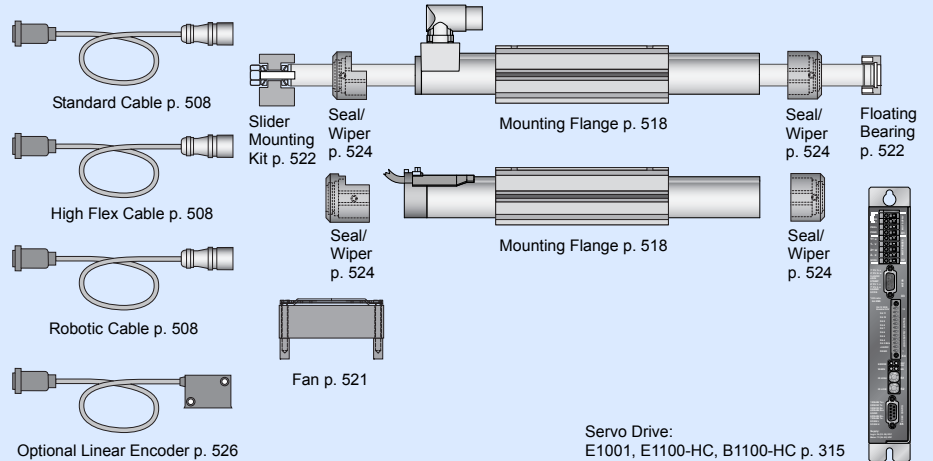
Connectors

Motor Connector Wiring

Cable Length:
P01-37x240... 1.5m
P01-37x240...-C20 0.2m

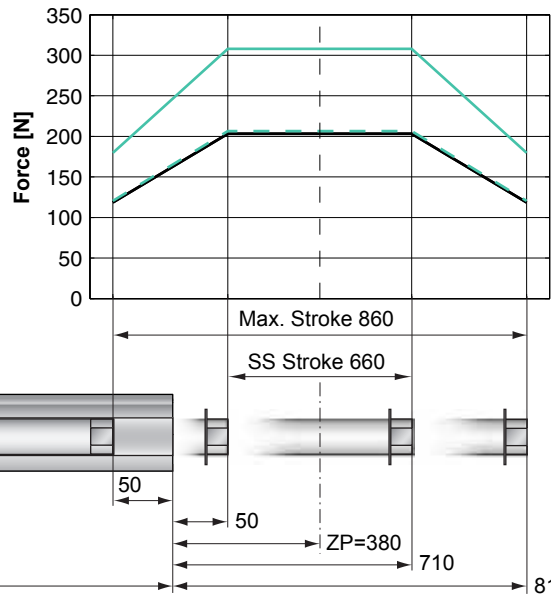
Wire Color	Terminal	Case	Order No.
Ph 1+	red	A	1
Ph 1-	pink	B	2
Ph 2+	blue	C	3
Ph 2-	grey	D	4
+5VDC	white	E	5
GND	inner Shield	F	6
Sine	yellow	G	7
Cosine	green	H	8
Temp.	black	L	9
Shield	outer Shield	Case	10

Accessoires



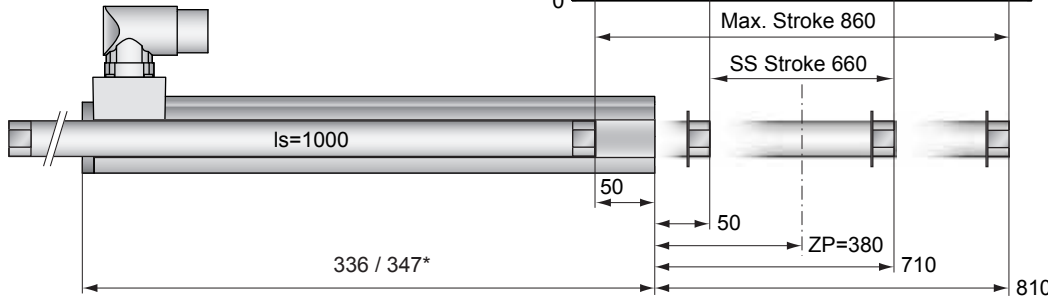
Servo Drive:
E1001, E1100-HC, B1100-HC p. 315

Max. Stroke: 860mm
Peak Force: 308N



Standard Winding:
 — E1100-HC, 72VDC
 — E1100, 72VDC & E1001, 72VDC

Fast Winding:
 — E1100-HC, 72VDC
 - - E1100, 72VDC & E1001, 72VDC

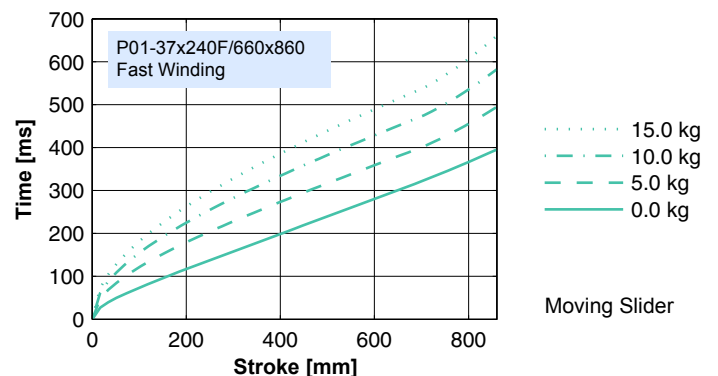
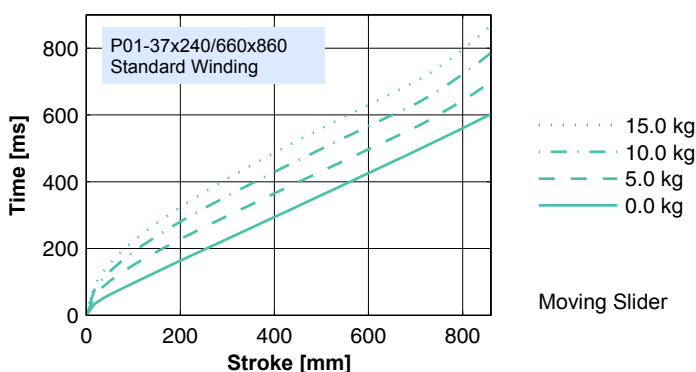


Dimensions in mm
 *Cable Type

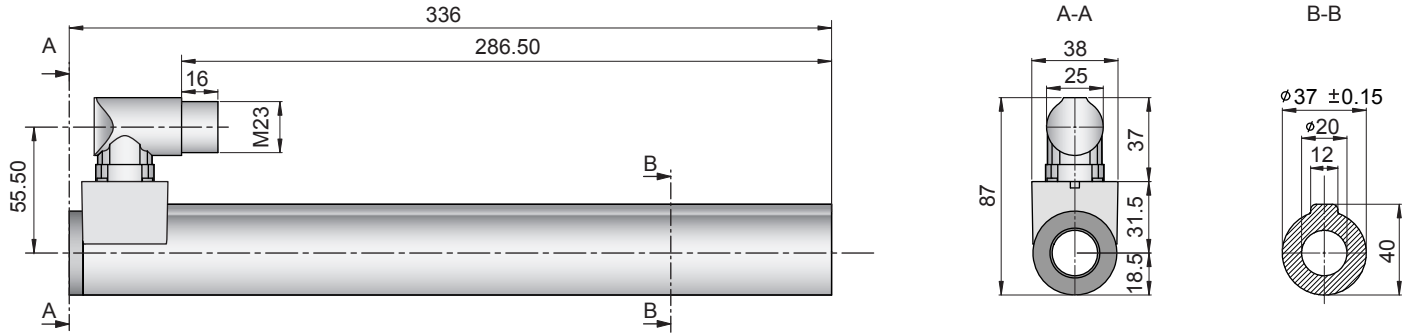
Motor Specification

	P01-	Connector Type		Cable Type	
		Standard Winding 37x240/660x860-C	Fast Winding 37x240F/660x860-C	Standard Winding 37x240/660x860-P150 37x240/660x860-C20	Fast Winding 37x240F/660x860-C20
Extended Stroke ES	mm (in)	860 (33.86)	860 (33.86)	860 (33.86)	860 (33.86)
Standard Stroke SS	mm (in)	660 (25.98)	660 (25.98)	660 (25.98)	660 (25.98)
Peak Force E1100-HC	N (lbf)	203 (45.7)	308 (69.2)	203 (45.7)	308 (69.2)
Peak Force E1100 / E1001	N (lbf)	203 (45.7)	206 (46.4)	203 (45.7)	206 (46.4)
Cont. Force	N (lbf)	53 (12.0)	53 (12.0)	53 (12.0)	53 (12.0)
Cont. Force Fan cooling	N (lbf)	100 (22.4)	100 (22.4)	100 (22.4)	100 (22.4)
Border Force	%	58	58	58	58
Force Constant	N/A (lbf/A)	40.8 (9.17)	25.8 (5.80)	40.8 (9.17)	25.8 (5.80)
Max. Current @ 72VDC	A	5.0	11.9	5.0	11.9
Max. Current @ 48VDC	A	3.3	8.0	3.3	8.0
Max. Velocity @ 72VDC	m/s (in/s)	1.6 (64)	2.6 (101)	1.6 (64)	2.6 (101)
Max. Velocity @ 48VDC	m/s (in/s)	1.1 (43)	1.7 (67)	1.1 (43)	1.7 (67)
Phase Resist. 25/80 °C	Ohm	11.7/14.2	4.9/5.9	11.7/14.2	4.9/5.9
Phase Inductance	mH	6.0	2.4	6.0	2.4
Thermal Resistance	°K/W	2.3	2.2	2.3	2.2
Thermal Time Const.	sec	3400	3200	3400	3200
Stator Diameter	mm (in)	37 (1.46)	37 (1.46)	37 (1.46)	37 (1.46)
Stator Length	mm (in)	336 (13.23)	336 (13.23)	347 (13.66)	347 (13.66)
Stator Mass	g (lb)	1385 (3.05)	1385 (3.05)	1385 (3.05)	1385 (3.05)
Slider Diameter	mm (in)	20 (0.79)	20 (0.79)	20 (0.79)	20 (0.79)
Slider Length	mm (in)	1000 (39.37)	1000 (39.37)	1000 (39.37)	1000 (39.37)
Slider Mass	g (lb)	2227 (4.91)	2227 (4.91)	2227 (4.91)	2227 (4.91)
Position Repeatability	mm (in)	±0.05 (±0.0020)	±0.05 (±0.0020)	±0.05 (±0.0020)	±0.05 (±0.0020)
Linearity	%	±0.15	±0.15	±0.15	±0.15
Repeatability with EPS	mm (in)	±0.01 (±0.0004)	±0.01 (±0.0004)	±0.01 (±0.0004)	±0.01 (±0.0004)
Linearity with EPS	mm (in)	±0.01 (±0.0004)	±0.01 (±0.0004)	±0.01 (±0.0004)	±0.01 (±0.0004)

Position-Time Diagram

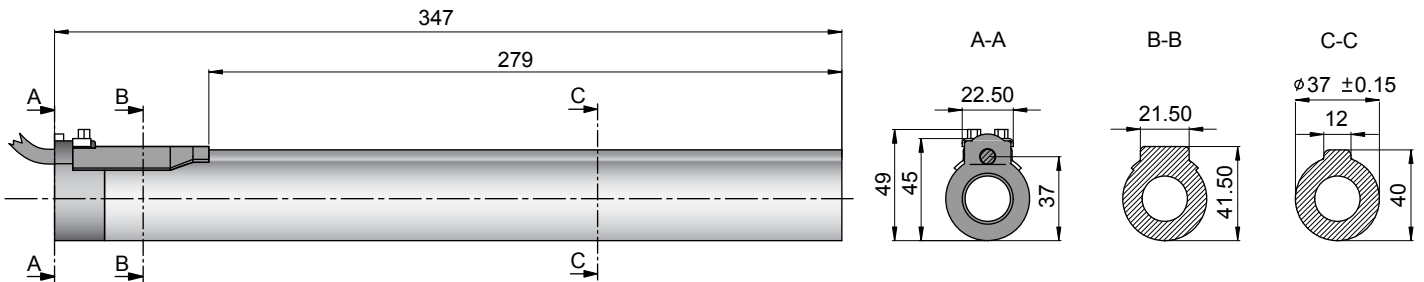


Connector Type



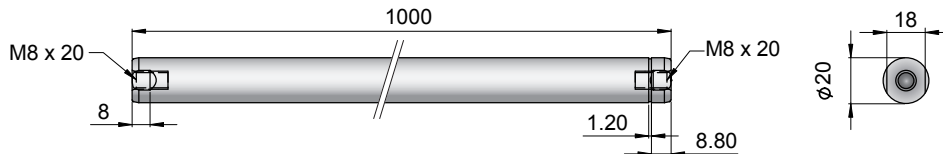
Linear Motor		Stator		Slider	
Type	Art.No	Type	Art. No.	Type	Art No.
P01-37x240/660x860-C	-->	PS01-37x240-C	0150-1224	& PL01-20x1000/920	0150-1338
P01-37x240F/660x860-C	-->	PS01-37x240F-C	0150-1225	& PL01-20x1000/920	0150-1338

Cable Type



Linear Motor		Stator		Slider	
Type	Art.No	Type	Art. No.	Type	Art No.
P01-37x240/660x860-P150	-->	PS01-37x240-P150	0150-1203	& PL01-20x1000/920	0150-1338
P01-37x240/660x860-C20	-->	PS01-37x240-C20	0150-1238	& PL01-20x1000/920	0150-1338
P01-37x240F/660x860-C20	-->	PS01-37x240F-C20	0150-1239	& PL01-20x1000/920	0150-1338

Slider



Standard Type	Slider Standard	PL01-20x1000/920	0150-1338
Special Sliders	Heavy Duty Slider with WC/C-Coating	PL02-20x1000/920	on request
	Hollow Slider hole diameter 6.5mm	PL01-20x1000/920-L	0150-1364

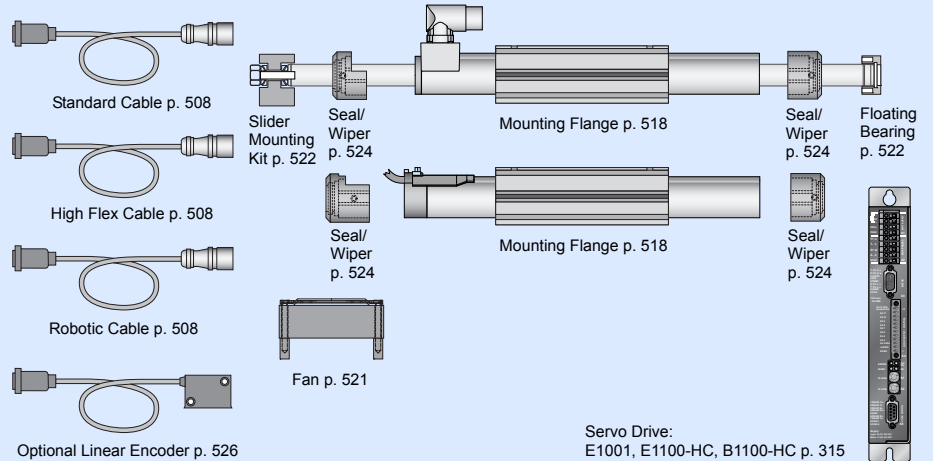
Connectors

Motor Connector Wiring

Cable Length:
P01-37x240... 1.5m
P01-37x240...-C20 0.2m

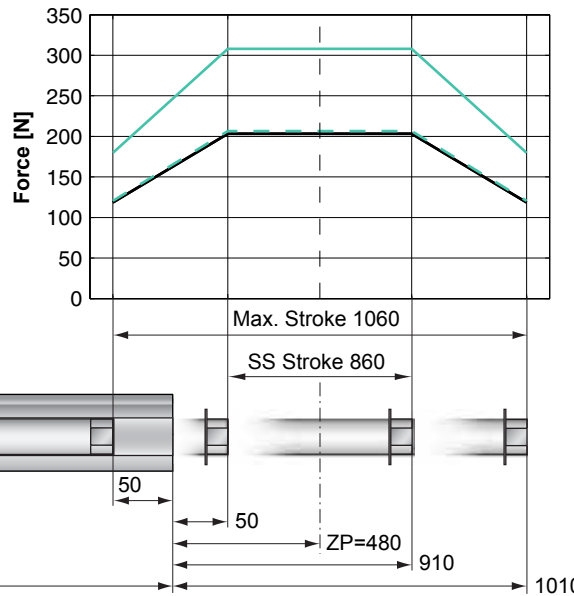
		P01-37...-C P01-37...-C20	P01-37...
Ph 1+	red	A	1
Ph 1-	pink	B	2
Ph 2+	blue	C	3
Ph 2-	grey	D	4
+5VDC	white	E	5
GND	inner Shield	F	6
Sine	yellow	G	7
Cosine	green	H	8
Temp.	black	L	9
Shield	outer Shield	Case	10

Accessoires



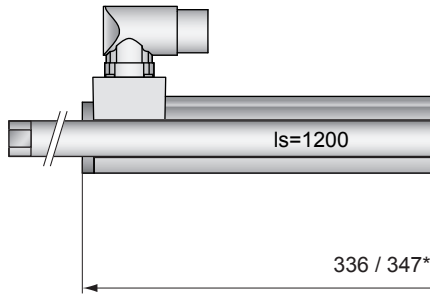
Servo Drive:
E1001, E1100-HC, B1100-HC p. 315

Max. Stroke: 1060mm
Peak Force: 308N



Standard Winding:
 — E1100-HC, 72VDC
 — E1100, 72VDC & E1001, 72VDC

Fast Winding:
 — E1100-HC, 72VDC
 - - E1100, 72VDC & E1001, 72VDC

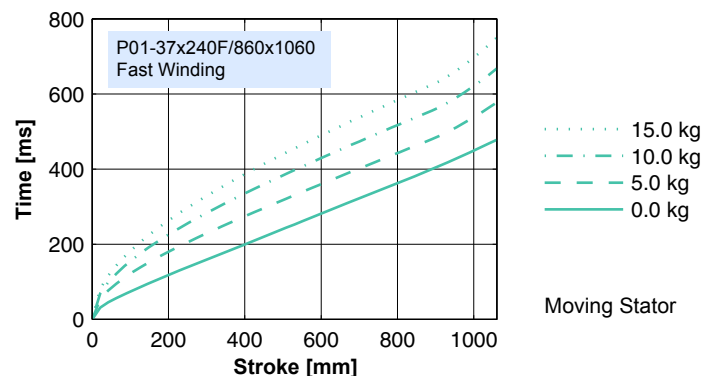
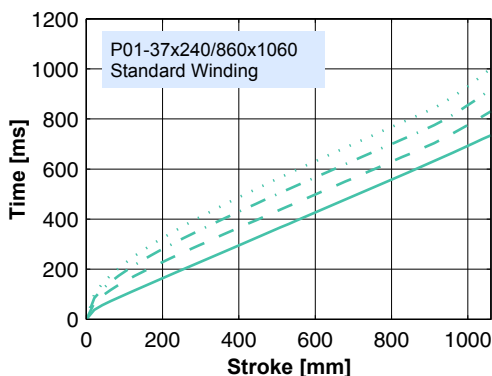


Dimensions in mm
 *Cable Type

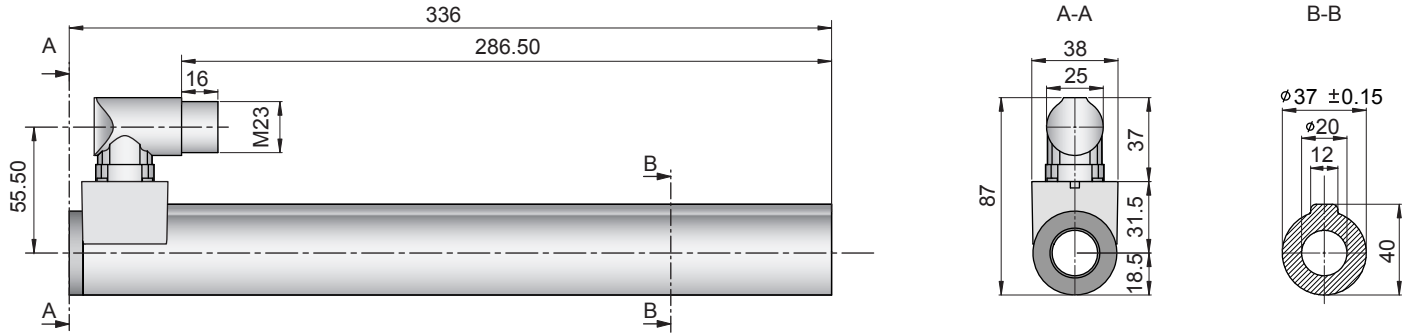
Motor Specification

	P01-	Connector Type		Cable Type	
		Standard Winding 37x240/860x1060-C	Fast Winding 37x240F/860x1060-C	Standard Winding 37x240/860x1060-P150 37x240/860x1060-C20	Fast Winding 37x240F/860x1060-C20
Extended Stroke ES	mm (in)	1060 (41.73)	1060 (41.73)	1060 (41.73)	1060 (41.73)
Standard Stroke SS	mm (in)	860 (33.86)	860 (33.86)	860 (33.86)	860 (33.86)
Peak Force E1100-HC	N (lbf)	203 (45.7)	308 (69.2)	203 (45.7)	308 (69.2)
Peak Force E1100 / E1001	N (lbf)	203 (45.7)	206 (46.4)	203 (45.7)	206 (46.4)
Cont. Force	N (lbf)	53 (12.0)	53 (12.0)	53 (12.0)	53 (12.0)
Cont. Force Fan cooling	N (lbf)	100 (22.4)	100 (22.4)	100 (22.4)	100 (22.4)
Border Force	%	58	58	58	58
Force Constant	N/A (lbf/A)	40.8 (9.17)	25.8 (5.80)	40.8 (9.17)	25.8 (5.80)
Max. Current @ 72VDC	A	5.0	11.9	5.0	11.9
Max. Current @ 48VDC	A	3.3	8.0	3.3	8.0
Max. Velocity @ 72VDC	m/s (in/s)	1.6 (64)	2.6 (101)	1.6 (64)	2.6 (101)
Max. Velocity @ 48VDC	m/s (in/s)	1.1 (43)	1.7 (67)	1.1 (43)	1.7 (67)
Phase Resist. 25/80 °C	Ohm	11.7/14.2	4.9/5.9	11.7/14.2	4.9/5.9
Phase Inductance	mH	6.0	2.4	6.0	2.4
Thermal Resistance	°K/W	2.3	2.2	2.3	2.2
Thermal Time Const.	sec	3400	3200	3400	3200
Stator Diameter	mm (in)	37 (1.46)	37 (1.46)	37 (1.46)	37 (1.46)
Stator Length	mm (in)	336 (13.23)	336 (13.23)	347 (13.66)	347 (13.66)
Stator Mass	g (lb)	1385 (3.05)	1385 (3.05)	1385 (3.05)	1385 (3.05)
Slider Diameter	mm (in)	20 (0.79)	20 (0.79)	20 (0.79)	20 (0.79)
Slider Length	mm (in)	1200 (47.24)	1200 (47.24)	1200 (47.24)	1200 (47.24)
Slider Mass	g (lb)	2692 (5.93)	2692 (5.93)	2692 (5.93)	2692 (5.93)
Position Repeatability	mm (in)	±0.05 (±0.0020)	±0.05 (±0.0020)	±0.05 (±0.0020)	±0.05 (±0.0020)
Linearity	%	±0.10	±0.10	±0.10	±0.10
Repeatability with EPS	mm (in)	±0.01 (±0.0004)	±0.01 (±0.0004)	±0.01 (±0.0004)	±0.01 (±0.0004)
Linearity with EPS	mm (in)	±0.01 (±0.0004)	±0.01 (±0.0004)	±0.01 (±0.0004)	±0.01 (±0.0004)

Position-Time Diagram

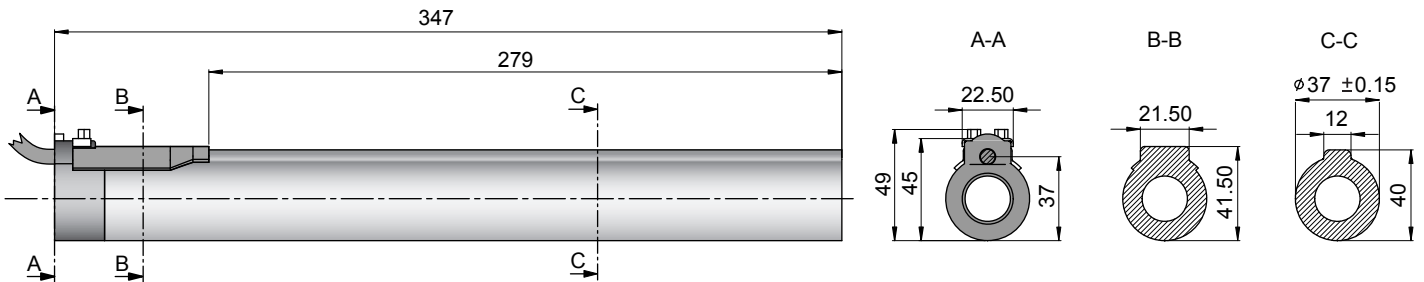


Connector Type



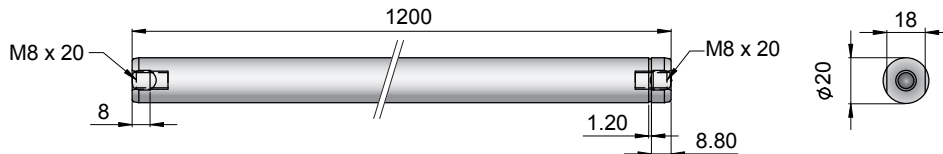
Linear Motor		Stator		Slider	
Type	Art.No	Type	Art. No.	Type	Art No.
P01-37x240/860x1060-C	-->	PS01-37x240-C	0150-1224	& PL01-20x1200/1120	0150-1340
P01-37x240F/860x1060-C	-->	PS01-37x240F-C	0150-1225	& PL01-20x1200/1120	0150-1340

Cable Type



Linear Motor		Stator		Slider	
Type	Art.No	Type	Art. No.	Type	Art No.
P01-37x240/860x1060-P150	-->	PS01-37x240-P150	0150-1203	& PL01-20x1200/1120	0150-1340
P01-37x240/860x1060-C20	-->	PS01-37x240-C20	0150-1238	& PL01-20x1200/1120	0150-1340
P01-37x240F/860x1060-C20	-->	PS01-37x240F-C20	0150-1239	& PL01-20x1200/1120	0150-1340

Slider



Standard Type	Slider Standard	PL01-20x1200/1120	0150-1340
Special Sliders	Heavy Duty Slider with WC/C-Coating	PL02-20x1200/1120	on request
	Hollow Slider hole diameter 6.5mm	PL01-20x1200/1120-L	0150-1376

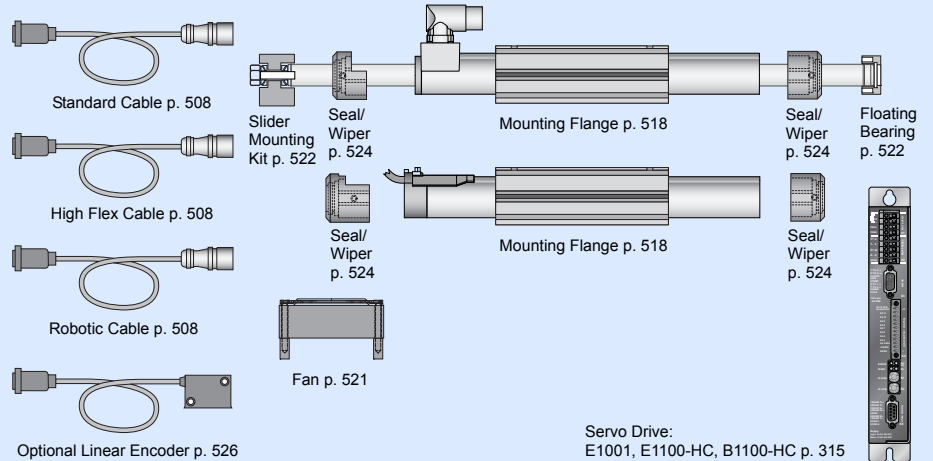
Connectors

Motor Connector Wiring

Cable Length:
P01-37x240... 1.5m
P01-37x240...-C20 0.2m

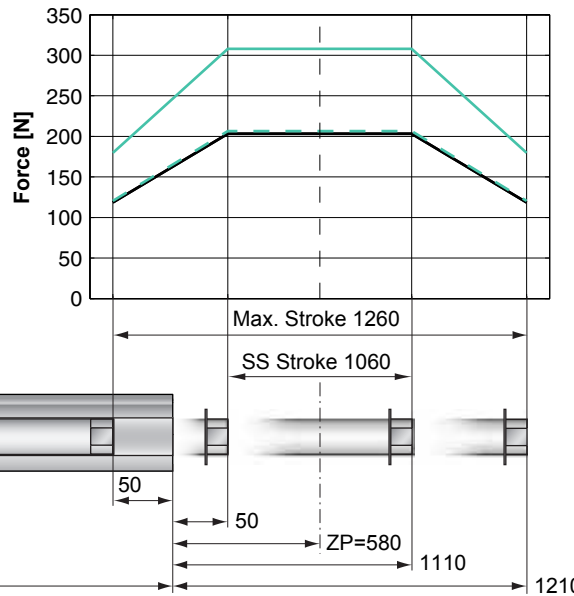
Pin	Color	Label	Case
Ph 1+	red	A	1
Ph 1-	pink	B	2
Ph 2+	blue	C	3
Ph 2-	grey	D	4
+5VDC	white	E	5
GND	inner Shield	F	6
Sine	yellow	G	7
Cosine	green	H	8
Temp.	black	L	9
Shield	outer Shield	Case	10

Accessoires



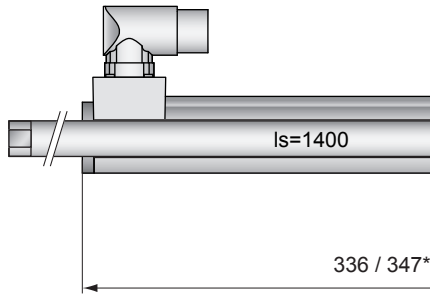
Servo Drive:
E1001, E1100-HC, B1100-HC p. 315

Max. Stroke: 1260mm
Peak Force: 308N



Standard Winding:
 — E1100-HC, 72VDC
 — E1100, 72VDC & E1001, 72VDC

Fast Winding:
 — E1100-HC, 72VDC
 - - E1100, 72VDC & E1001, 72VDC

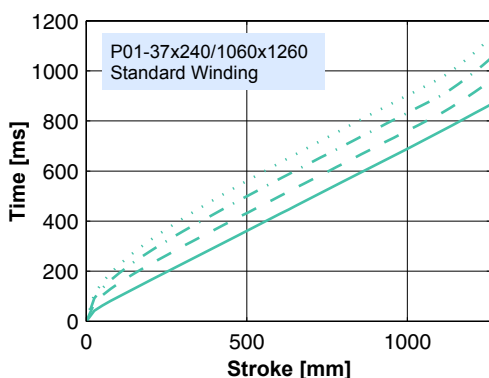


Dimensions in mm
 *Cable Type

Motor Specification

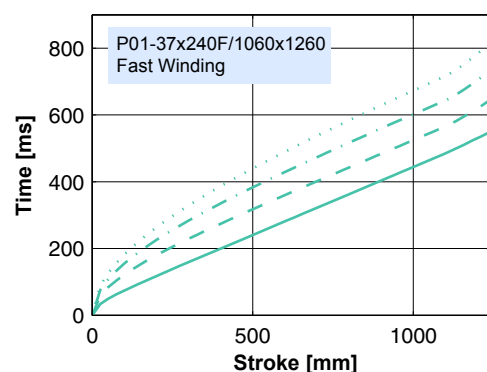
	Connector Type	Cable Type			
		Standard Winding	Fast Winding		
	P01-37x240/1060x1260-C	37x240F/1060x1260-C	37x240/1060x1260-P150 37x240/1060x1260-C20	37x240F/1060x1260-C20	
Extended Stroke ES	mm (in)	1260 (49.61)	1260 (49.61)	1260 (49.61)	1260 (49.61)
Standard Stroke SS	mm (in)	1060 (41.73)	1060 (41.73)	1060 (41.73)	1060 (41.73)
Peak Force E1100-HC	N (lbf)	203 (45.7)	308 (69.2)	203 (45.7)	308 (69.2)
Peak Force E1100 / E1001	N (lbf)	203 (45.7)	206 (46.4)	203 (45.7)	206 (46.4)
Cont. Force	N (lbf)	53 (12.0)	53 (12.0)	53 (12.0)	53 (12.0)
Cont. Force Fan cooling	N (lbf)	100 (22.4)	100 (22.4)	100 (22.4)	100 (22.4)
Border Force	%	58	58	58	58
Force Constant	N/A (lbf/A)	40.8 (9.17)	25.8 (5.80)	40.8 (9.17)	25.8 (5.80)
Max. Current @ 72VDC	A	5.0	11.9	5.0	11.9
Max. Current @ 48VDC	A	3.3	8.0	3.3	8.0
Max. Velocity @ 72VDC	m/s (in/s)	1.6 (64)	2.6 (101)	1.6 (64)	2.6 (101)
Max. Velocity @ 48VDC	m/s (in/s)	1.1 (43)	1.7 (67)	1.1 (43)	1.7 (67)
Phase Resist. 25/80 °C	Ohm	11.7/14.2	4.9/5.9	11.7/14.2	4.9/5.9
Phase Inductance	mH	6.0	2.4	6.0	2.4
Thermal Resistance	°K/W	2.3	2.2	2.3	2.2
Thermal Time Const.	sec	3400	3200	3400	3200
Stator Diameter	mm (in)	37 (1.46)	37 (1.46)	37 (1.46)	37 (1.46)
Stator Length	mm (in)	336 (13.23)	336 (13.23)	347 (13.66)	347 (13.66)
Stator Mass	g (lb)	1385 (3.05)	1385 (3.05)	1385 (3.05)	1385 (3.05)
Slider Diameter	mm (in)	20 (0.79)	20 (0.79)	20 (0.79)	20 (0.79)
Slider Length	mm (in)	1400 (55.12)	1400 (55.12)	1400 (55.12)	1400 (55.12)
Slider Mass	g (lb)	3157 (6.96)	3157 (6.96)	3157 (6.96)	3157 (6.96)
Position Repeatability	mm (in)	±0.05 (±0.0020)	±0.05 (±0.0020)	±0.05 (±0.0020)	±0.05 (±0.0020)
Linearity	%	±0.10	±0.10	±0.10	±0.10
Repeatability with EPS	mm (in)	±0.01 (±0.0004)	±0.01 (±0.0004)	±0.01 (±0.0004)	±0.01 (±0.0004)
Linearity with EPS	mm (in)	±0.01 (±0.0004)	±0.01 (±0.0004)	±0.01 (±0.0004)	±0.01 (±0.0004)

Position-Time Diagram



15.0 kg
 10.0 kg
 5.0 kg
 0.0 kg

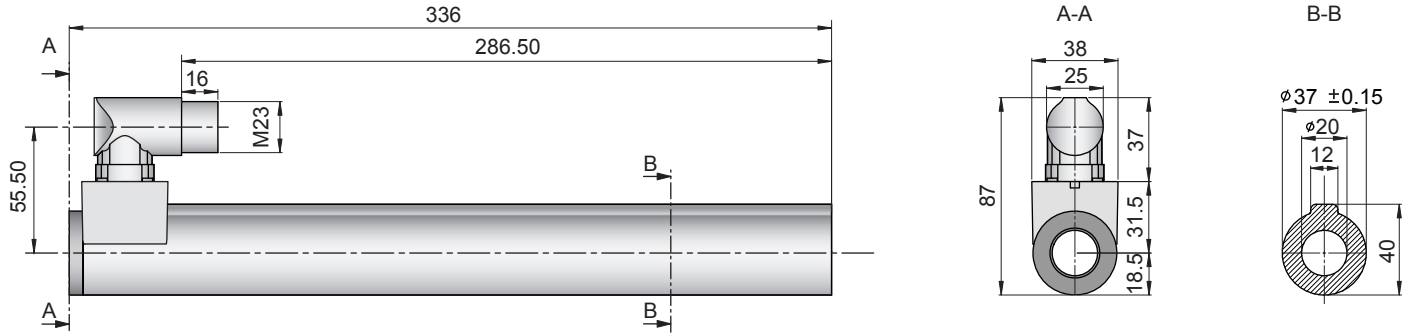
Moving Stator



15.0 kg
 10.0 kg
 5.0 kg
 0.0 kg

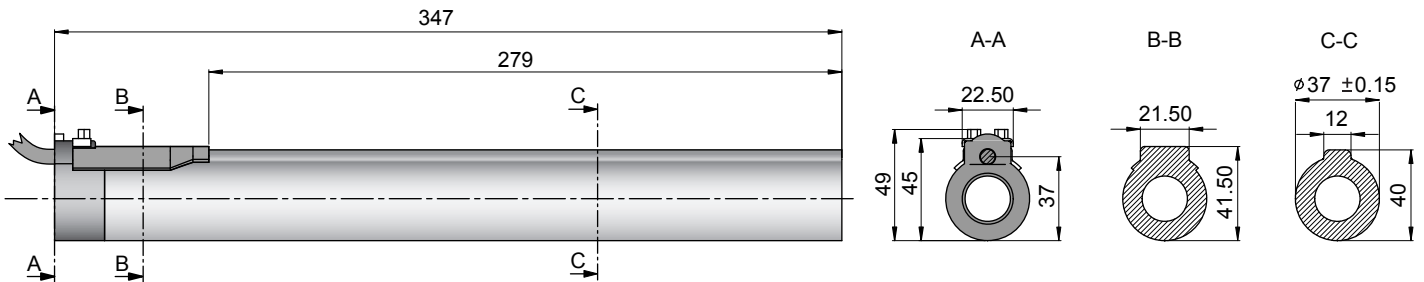
Moving Stator

Connector Type



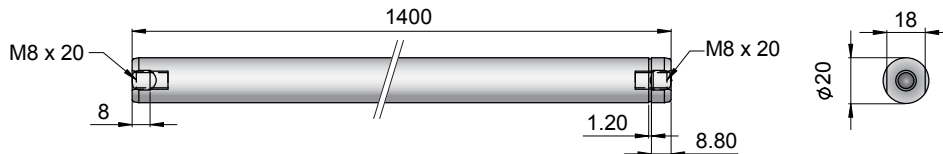
Linear Motor		Stator		Slider	
Type	Art.No	Type	Art. No.	Type	Art No.
P01-37x240/1060x1260-C	-->	PS01-37x240-C	0150-1224	& PL01-20x1400/1320	0150-1342
P01-37x240F/1060x1260-C	-->	PS01-37x240F-C	0150-1225	& PL01-20x1400/1320	0150-1342

Cable Type



Linear Motor		Stator		Slider	
Type	Art.No	Type	Art. No.	Type	Art No.
P01-37x240/1060x1260-P150	-->	PS01-37x240-P150	0150-1203	& PL01-20x1400/1320	0150-1342
P01-37x240/1060x1260-C20	-->	PS01-37x240-C20	0150-1238	& PL01-20x1400/1320	0150-1342
P01-37x240F/1060x1260-C20	-->	PS01-37x240F-C20	0150-1239	& PL01-20x1400/1320	0150-1342

Slider



Standard Type	Slider Standard	PL01-20x1400/1320	0150-1342
Special Sliders	Heavy Duty Slider with WC/C-Coating	PL02-20x1400/1320	on request
	Hollow Slider hole diameter 6.5mm	PL01-20x1400/1320-L	on request

Connectors

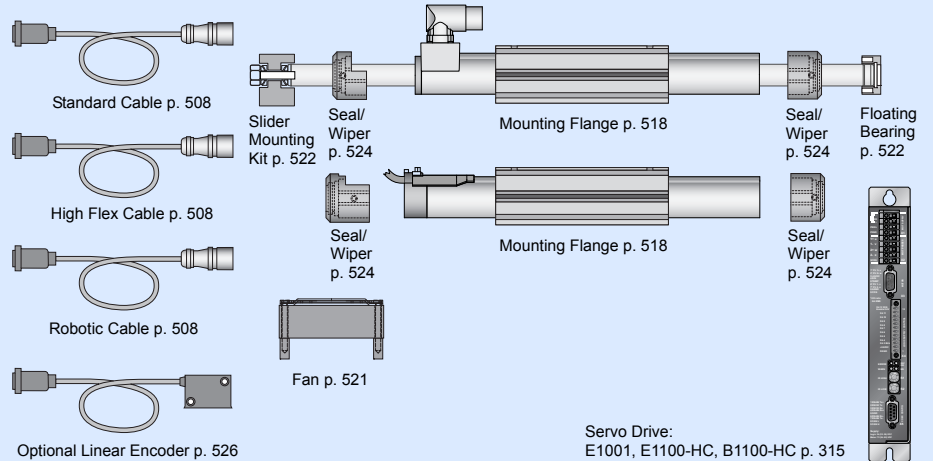
Motor Connector Wiring

Cable Length:

P01-37x240...	1.5m
P01-37x240...-C20	0.2m

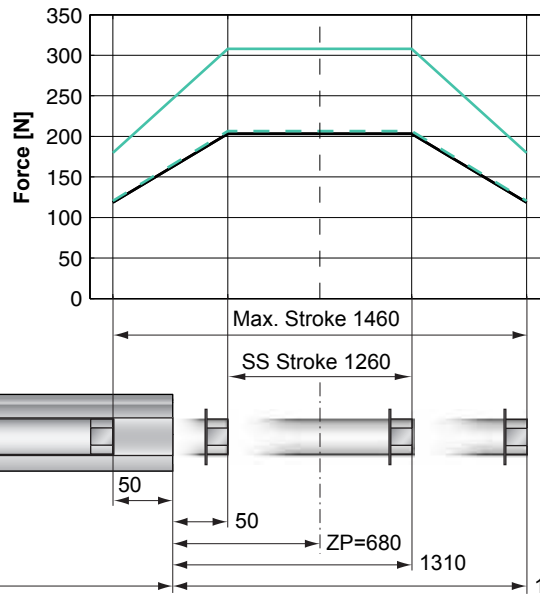
Pin	Color	Label	Case
Ph 1+	red	A	1
Ph 1-	pink	B	2
Ph 2+	blue	C	3
Ph 2-	grey	D	4
+5VDC	white	E	5
GND	inner Shield	F	6
Sine	yellow	G	7
Cosine	green	H	8
Temp.	black	L	9
Shield	outer Shield	Case	10

Accessoires



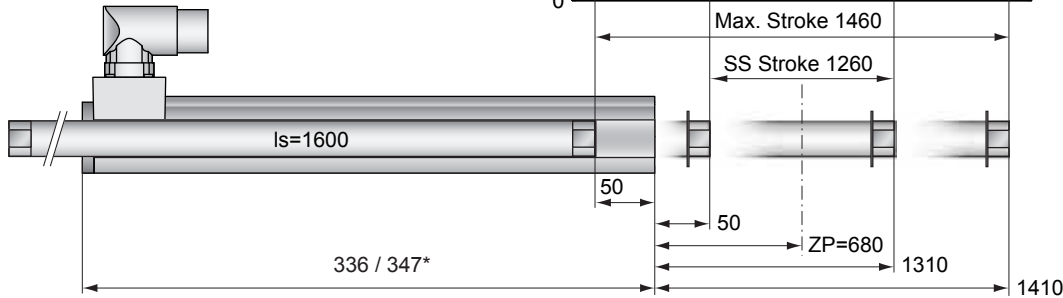
Servo Drive:
E1001, E1100-HC, B1100-HC p. 315

Max. Stroke: 1460mm
Peak Force: 308N



Standard Winding:
 — E1100-HC, 72VDC
 — E1100, 72VDC & E1001, 72VDC

Fast Winding:
 — E1100-HC, 72VDC
 - - E1100, 72VDC & E1001, 72VDC

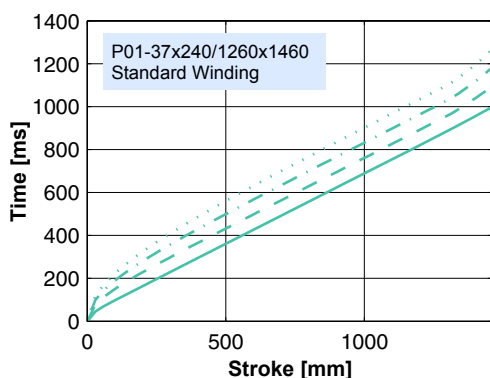


Dimensions in mm
 *Cable Type

Motor Specification

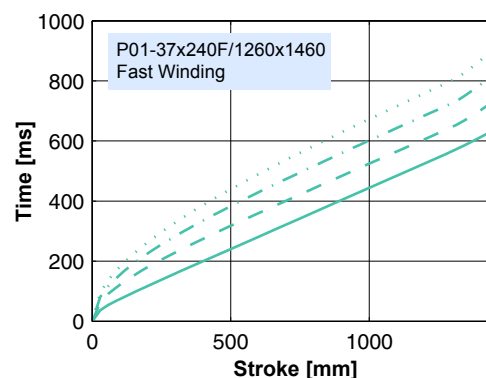
	P01-	Connector Type		Cable Type	
		Standard Winding 37x240/1260x1460-C	Fast Winding 37x240F/1260x1460-C	Standard Winding 37x240/1260x1460-P150 37x240/1260x1460-C20	Fast Winding 37x240F/1260x1460-C20
Extended Stroke ES	mm (in)	1460 (57.48)	1460 (57.48)	1460 (57.48)	1460 (57.48)
Standard Stroke SS	mm (in)	1260 (49.61)	1260 (49.61)	1260 (49.61)	1260 (49.61)
Peak Force E1100-HC	N (lbf)	203 (45.7)	308 (69.2)	203 (45.7)	308 (69.2)
Peak Force E1100 / E1001	N (lbf)	203 (45.7)	206 (46.4)	203 (45.7)	206 (46.4)
Cont. Force	N (lbf)	53 (12.0)	53 (12.0)	53 (12.0)	53 (12.0)
Cont. Force Fan cooling	N (lbf)	100 (22.4)	100 (22.4)	100 (22.4)	100 (22.4)
Border Force	%	58	58	58	58
Force Constant	N/A (lbf/A)	40.8 (9.17)	25.8 (5.80)	40.8 (9.17)	25.8 (5.80)
Max. Current @ 72VDC	A	5.0	11.9	5.0	11.9
Max. Current @ 48VDC	A	3.3	8.0	3.3	8.0
Max. Velocity @ 72VDC	m/s (in/s)	1.6 (64)	2.6 (101)	1.6 (64)	2.6 (101)
Max. Velocity @ 48VDC	m/s (in/s)	1.1 (43)	1.7 (67)	1.1 (43)	1.7 (67)
Phase Resist. 25/80 °C	Ohm	11.7/14.2	4.9/5.9	11.7/14.2	4.9/5.9
Phase Inductance	mH	6.0	2.4	6.0	2.4
Thermal Resistance	°K/W	2.3	2.2	2.3	2.2
Thermal Time Const.	sec	3400	3200	3400	3200
Stator Diameter	mm (in)	37 (1.46)	37 (1.46)	37 (1.46)	37 (1.46)
Stator Length	mm (in)	336 (13.23)	336 (13.23)	347 (13.66)	347 (13.66)
Stator Mass	g (lb)	1385 (3.05)	1385 (3.05)	1385 (3.05)	1385 (3.05)
Slider Diameter	mm (in)	20 (0.79)	20 (0.79)	20 (0.79)	20 (0.79)
Slider Length	mm (in)	1600 (62.99)	1600 (62.99)	1600 (62.99)	1600 (62.99)
Slider Mass	g (lb)	3622 (7.99)	3622 (7.99)	3622 (7.99)	3622 (7.99)
Position Repeatability	mm (in)	±0.05 (±0.0020)	±0.05 (±0.0020)	±0.05 (±0.0020)	±0.05 (±0.0020)
Linearity	%	±0.10	±0.10	±0.10	±0.10
Repeatability with EPS	mm (in)	±0.01 (±0.0004)	±0.01 (±0.0004)	±0.01 (±0.0004)	±0.01 (±0.0004)
Linearity with EPS	mm (in)	±0.01 (±0.0004)	±0.01 (±0.0004)	±0.01 (±0.0004)	±0.01 (±0.0004)

Position-Time Diagram



15.0 kg
 10.0 kg
 5.0 kg
 0.0 kg

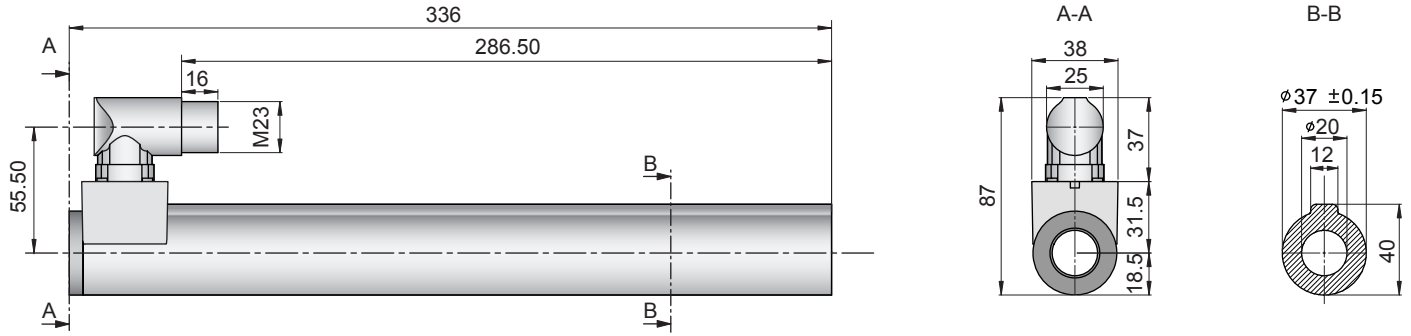
Moving Stator



15.0 kg
 10.0 kg
 5.0 kg
 0.0 kg

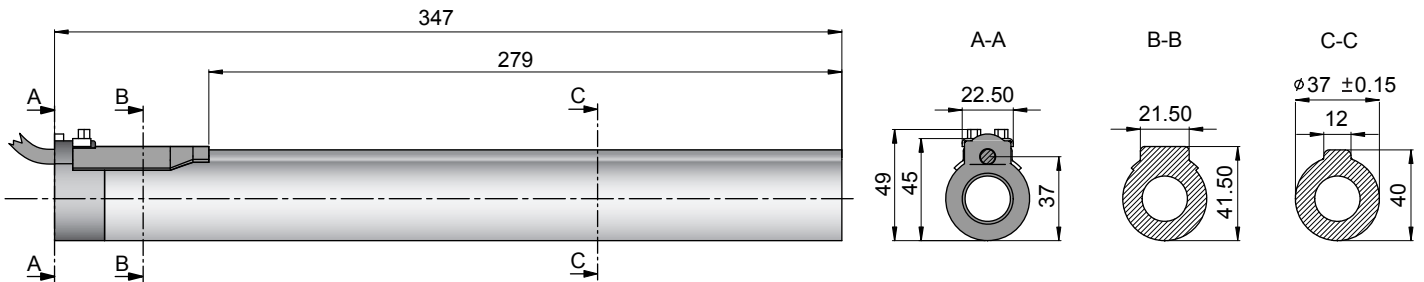
Moving Stator

Connector Type



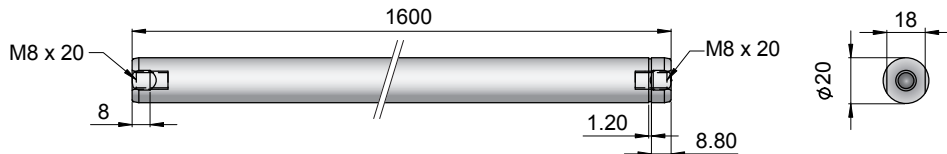
Linear Motor		Stator		Slider		
Type	Art.No	Type	Art. No.	Type	Art No.	
P01-37x240/1260x1460-C	-->	PS01-37x240-C	0150-1224	&	PL01-20x1600/1520	0150-1344
P01-37x240F/1260x1460-C	-->	PS01-37x240F-C	0150-1225	&	PL01-20x1600/1520	0150-1344

Cable Type



Linear Motor		Stator		Slider		
Type	Art.No	Type	Art. No.	Type	Art No.	
P01-37x240/1260x1460-P150	-->	PS01-37x240-P150	0150-1203	&	PL01-20x1600/1520	0150-1344
P01-37x240/1260x1460-C20	-->	PS01-37x240-C20	0150-1238	&	PL01-20x1600/1520	0150-1344
P01-37x240F/1260x1460-C20	-->	PS01-37x240F-C20	0150-1239	&	PL01-20x1600/1520	0150-1344

Slider



Standard Type	Slider Standard	PL01-20x1600/1520	0150-1344
Special Sliders	Heavy Duty Slider with WC/C-Coating	PL02-20x1600/1520	on request
	Hollow Slider hole diameter 6.5mm	PL01-20x1600/1520-L	on request

Connectors

Motor Connector Wiring

Cable Length:
P01-37x240... 1.5m
P01-37x240...-C20 0.2m

Pin	Color	Label	Case
Ph 1+	red	A	1
Ph 1-	pink	B	2
Ph 2+	blue	C	3
Ph 2-	grey	D	4
+5VDC	white	E	5
GND	inner Shield	F	6
Sine	yellow	G	7
Cosine	green	H	8
Temp.	black	L	9
Shield	outer Shield	Case	10

Accessoires

