



Linear Guides H01-23x86

482

Linear Guides H01-23X166

484

Linear Guides H01-37X166

486

Linear Guides H01-37x286

488

Linear Guides H01-48x250

490



Bridge Guides B01-37X166

496

Bridge Guides B01-37x286

498

Bridge Guides B01-48x250

500

Linear Guides

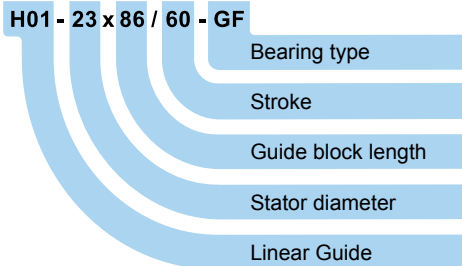
Series H01 Linear Guides are compact guide units with integrated ball bearings or plain bushings, for operating LinMot P01 linear motors with standard or heavy duty sliders.

H01 Linear Guides are used as load bearings, to resist external forces and rotational and bending moments, and as an anti-rotation device. They provide high-precision guidance and allow dynamic and precise positioning of the load.

The load is mounted directly to the front plate of the linear guide. Mechanical dimensions and mounting options are compatible with pneumatic linear guides. The modular design allows simple addition of accessories, such as a mechanical brake or magnetic spring, for load balancing in vertical applications.

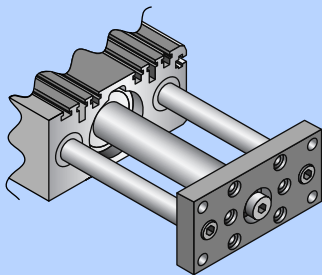


Designation:



Mechanical Compatibility

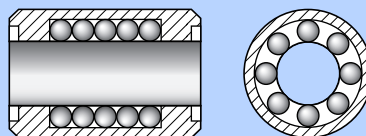
LinMot H01 guides are mechanically compatible with pneumatic H-guides.



This allows simple replacement with a new drive technology, if more flexibility or higher dynamics are required.

Ball Bearings

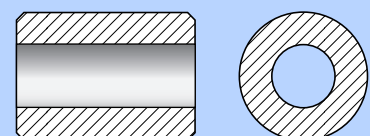
Use of linear guides with ball bearings is recommended for standard applications under normal environmental conditions.



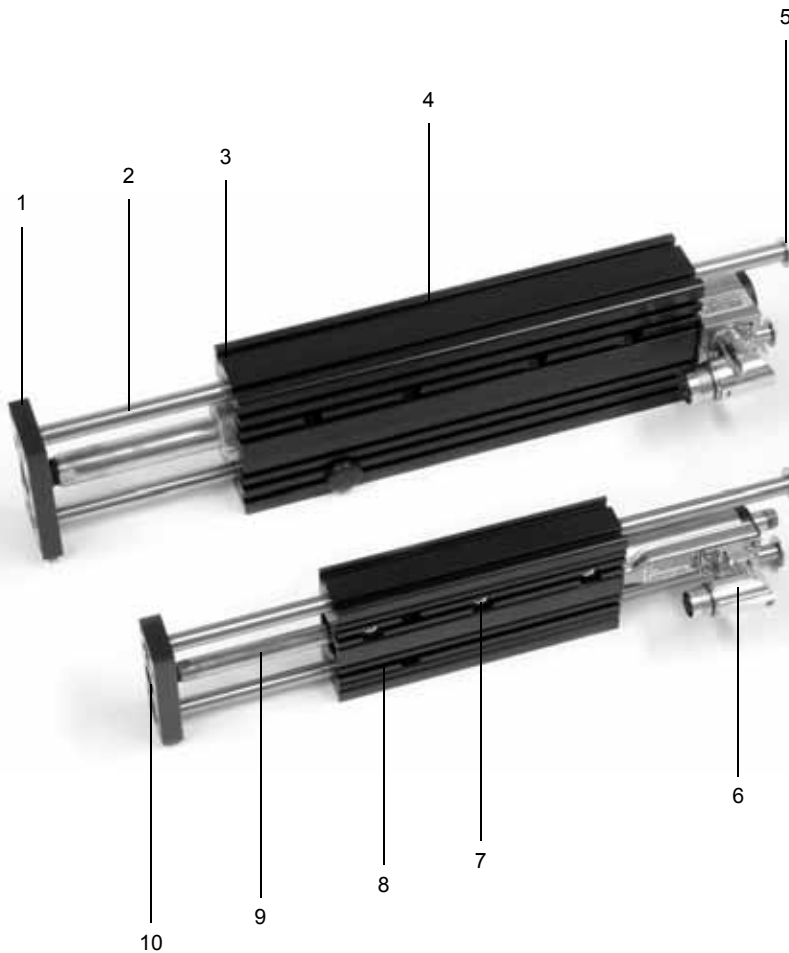
Linear guides with ball bearings have very good running characteristics, and ensure nearly frictionless operation.

Sintered Bushings

For applications in very dirty, damp, or wet environments, the use of linear guides with plain bushings and stainless steel shafts is recommended.



For highly dynamic applications with accelerations over 50 m/s², the use of linear modules with plain bushings is also recommended.



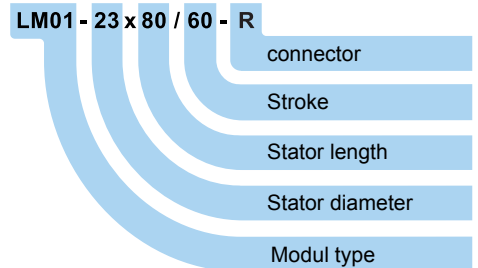
1. Mounting plate with counter bore for precise load mounting
2. Hardened or stainless steel shafts for precise positioning and quiet operation.
3. Ball bearings or sintered bushings, for high load masses and long life
4. Guide block with counter bores for uncomplicated, precise mounting of the Linear Module.
5. Mechanical end stop (rear).
6. Linear motor stator with integrated bearings, temperature and position sensors. Available with IP67 connector or cable exit.
7. Clamping cylinder to secure the stator in the guide block.
8. T-slots in the guide block allow simple mounting of accessories.
9. Linear motor slider, guarantees maximum force and precise positioning.
10. Integrated linear coupling for simple mounting of the slider.

Linear Module LM01

Complete LM01 linear modules, consisting of a H01 guide and P01 linear motor, are highly dynamic design components. Compact construction and free positioning have significant advantages, especially in textile and packaging machines, assembly and feeding technology, laboratory automation, and special machines and systems.

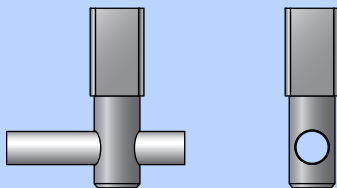


Designation:



Brake Option

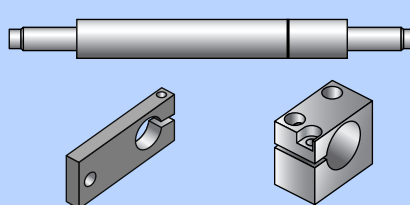
As an option, H01-37 and H01-48 guides can have a mechanical brake attached.



The pneumatic brake is controlled by the E1100 Servo Drive. The brake acts on the guide shafts of the linear guide, and is released under air pressure (4-6 bar). With no air pressure, the brake is on.

MagSpring Option

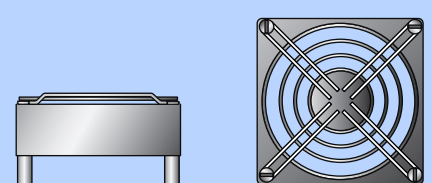
In vertical applications, a MagSpring can be used as a weight balancer.



The MagSpring also prevents the linear motor from falling to the lower end stop if the linear motor is turned off or the power is lost. Appropriate accessories are available for mounting the magnetic spring.

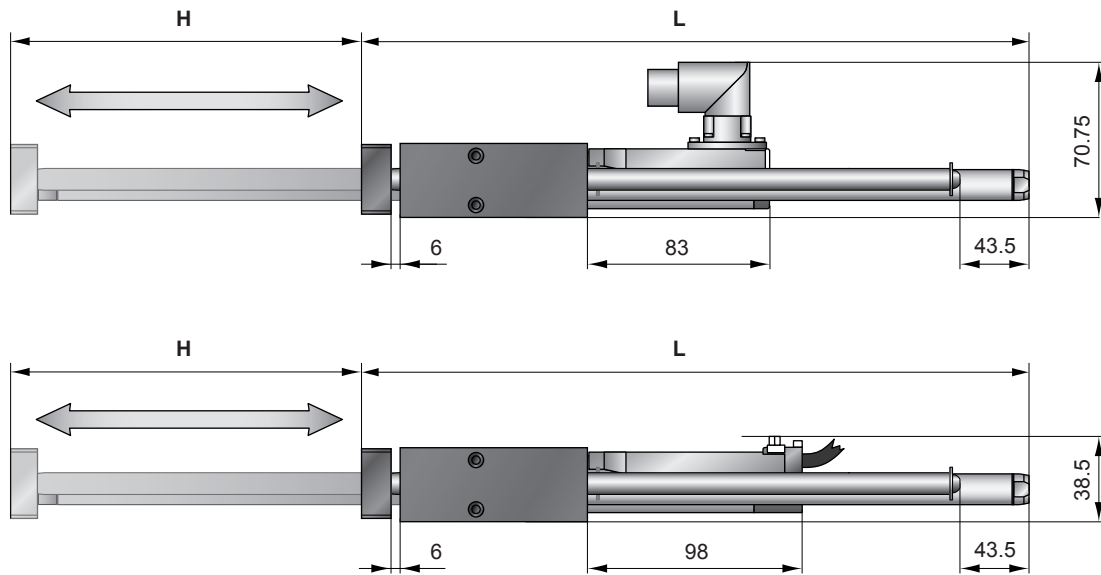
Fan Option

With an additional fan, the holding force of the linear motor can be nearly doubled.



If needed, the optional fan can be mounted directly on the guide.

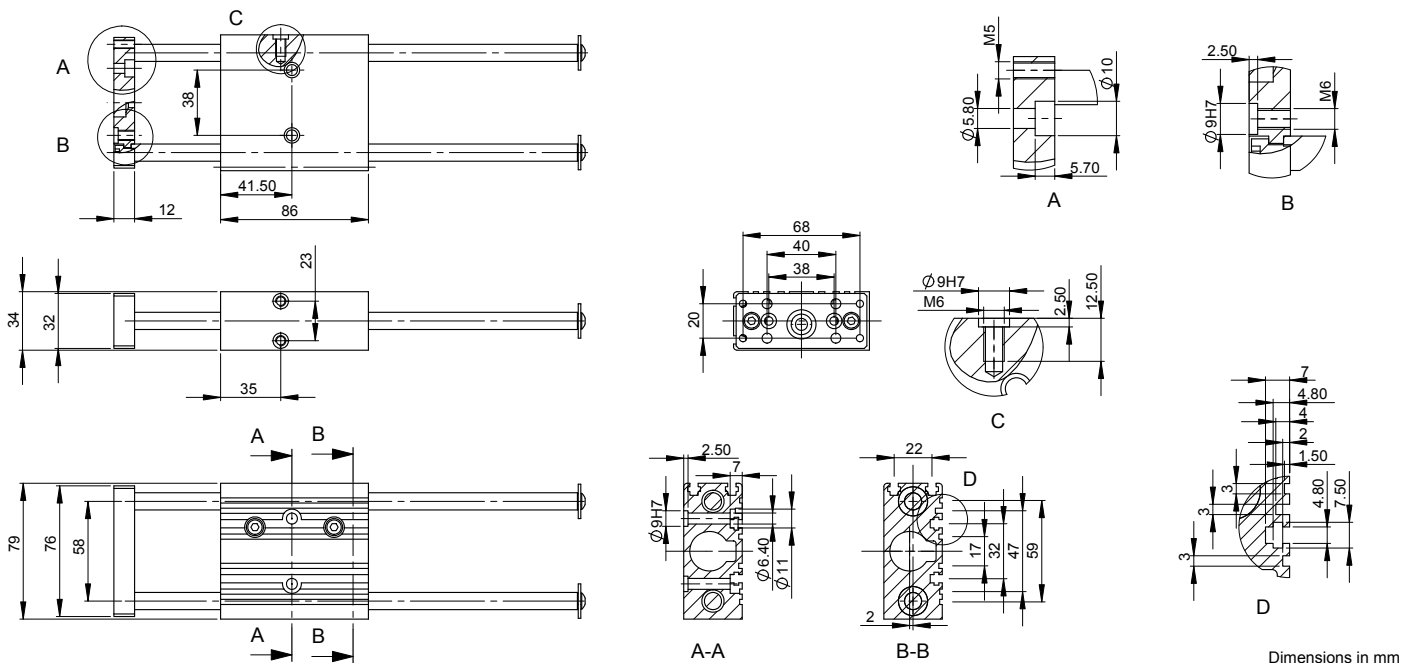
Linear module LM01-23X80



Linear Module	Bearing	Stroke H [mm (inch)]	Moving Parts L [mm (inch)]	Moving Mass ¹⁾ [g (lb)]	Total Weight ¹⁾ [g (lb)]
LM01-23x80/60	Ball Bearings	60 (2.36)	205.5 (8.09)	405 (0.89)	1100 (2.43)
LM01-23x80/160	Ball Bearings	160 (6.30)	305.5 (12.03)	610 (1.34)	1310 (2.88)
LM01-23x80/260	Ball Bearings	260 (10.24)	435.5 (17.15)	860 (1.90)	1560 (2.43)
LM01-23x80/60-GF	Plain Bushings	60 (2.36)	205.5 (8.07)	405 (0.89)	1100 (2.43)
LM01-23x80/160-GF	Plain Bushings	160 (6.30)	305.5 (12.03)	610 (1.34)	1310 (2.88)
LM01-23x80/260-GF	Plain Bushings	260 (10.24)	435.5 (17.15)	860 (1.90)	1560 (2.43)

¹⁾ linear guide with linear motor

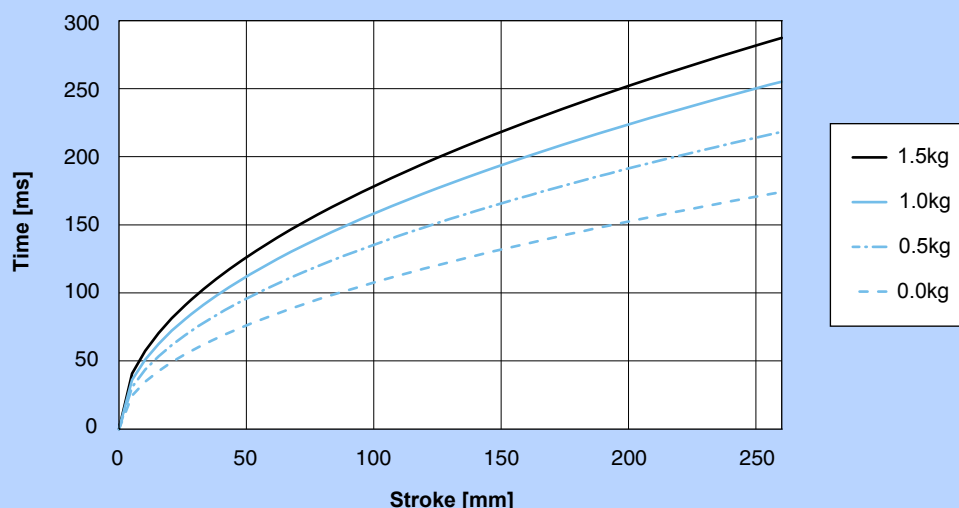
Linear Guides H01-23x86



Dimensions in mm

Materials	Guide Block & Front Plate	Guide Shaft	Bearing	Wipers	
H01-23x86/...	Ball Bearings	Anodized Aluminum	Hardened Steel	Steel	Nitrile Rubber
H01-23x86/...-GF	Plain Bushings	Anodized Aluminum	Stainless Steel 1.4104	Sintered Bronze	Nitrile Rubber

Positioning Times with LM01-23X80



Minimum positioning times for horizontal motions with different load masses, controlled by an E1100-HC Servo Drive.

Ordering Information

LM01-23x80/60		Linear Module 23x80 with 60mm Stroke		
Linear Guide	H01-23x86/60	H01 for P01-23x80, 60mm Stroke, Ball Bearings	0150-5014	
	H01-23x86/60-GF	H01 for P01-23x80, 60mm Stroke, Plain Bushings	0150-5074	
Stator	PS01-23x80-R	Linear motor stator, connector R - IP67	0150-1233	
	PS01-23x80-R20	Linear motor stator, 0.2m Cable, connector R - IP67	0150-1241	
	PS01-23x80	Linear motor stator, 1.0m Cable, connector D	0150-1201	
Slider	PL01-12x190/140	Standard Slider for H01-23x86/60	0150-1302	

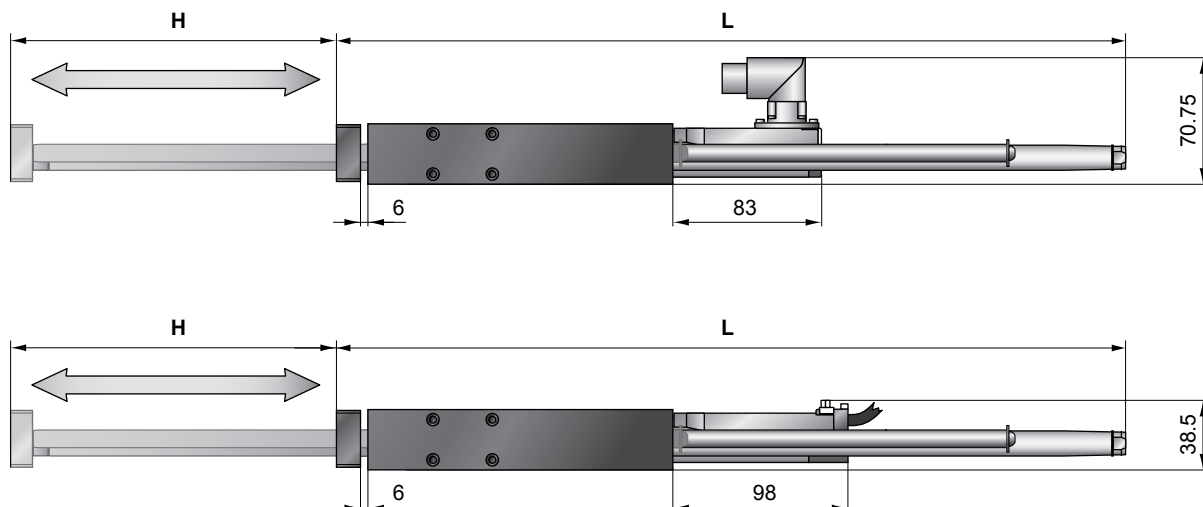
LM01-23x80/160		Linear Module 23x80 with 160mm Stroke		
Linear Guide	H01-23x86/160	H01 for P01-23x80, 160mm Stroke, Ball Bearings	0150-5015	
	H01-23x86/160-GF	H01 for P01-23x80, 160mm Stroke, Plain Bushings	0150-5075	
Stator	PS01-23x80-R	Linear motor stator, connector R - IP67	0150-1233	
	PS01-23x80-R20	Linear motor stator, 0.2m Cable, connector R - IP67	0150-1241	
	PS01-23x80	Linear motor stator, 1.0m Cable, connector D	0150-1201	
Slider	PL01-12x290/240	Standard Slider for H01-23x86/160	0150-1320	

LM01-23x80/260		Linear Module 23x80 with 260mm Stroke		
Linear Guide	H01-23x86/260	H01 for P01-23x80, 260mm Stroke, Ball Bearings	0150-5016	
	H01-23x86/260-GF	H01 for P01-23x80, 260mm Stroke, Plain Bushings	0150-5076	
Stator	PS01-23x80-R	Linear motor stator, connector R - IP67	0150-1233	
	PS01-23x80-R20	Linear motor stator, 0.2m Cable, connector R - IP67	0150-1241	
	PS01-23x80	Linear motor stator, 1.0m Cable, connector D	0150-1201	
Slider	PL01-12x420/370	Standard Slider for H01-23x86/260	0150-1324	

Accessories

Fan	HV01-23	Fan for H01-23 Linear Guides	0150-5050
MagSpring	MF01-20/H23	Mounting flange for MagSpring M01-20x...	0250-2306
	MA01-20/H23	Mounting adapter for MagSpring M01-20x...	0250-0116
Center Sleeve	HC01-09/04	Center Sleeve D9x4mm	0150-3251

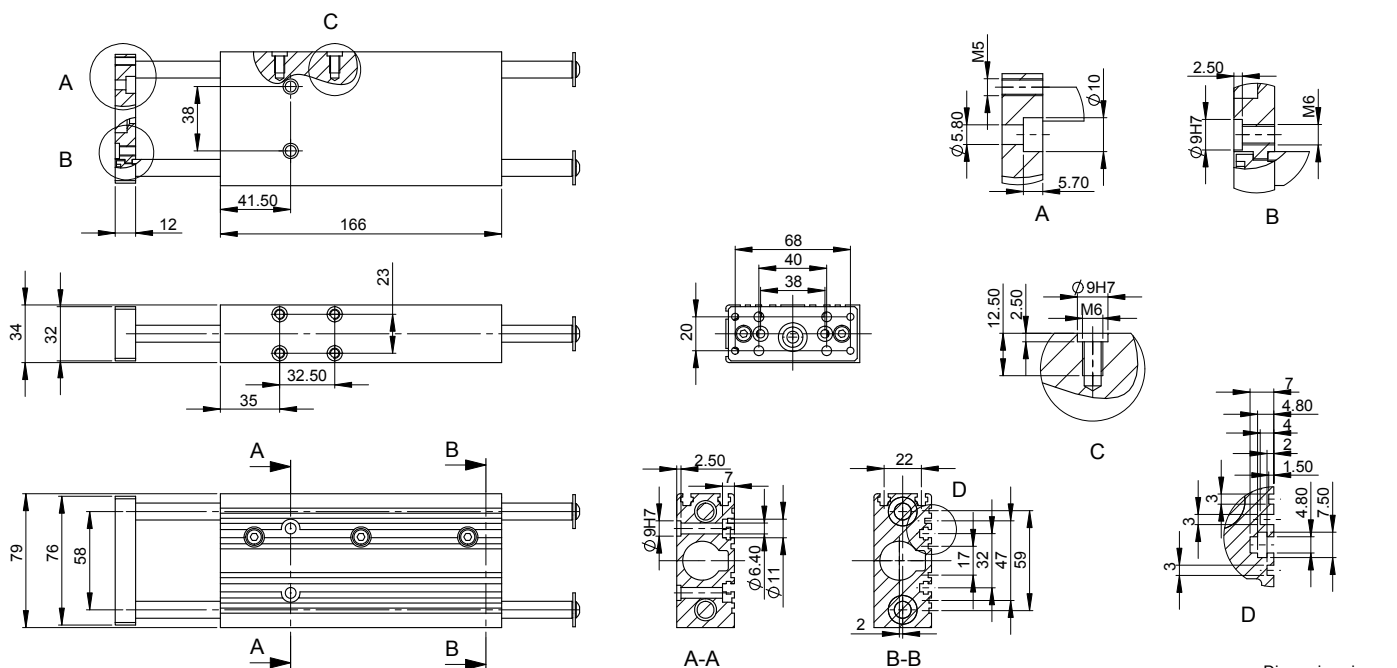
Linear module LM01-23X160



Linear Module	Bearing	Stroke H [mm (inch)]	Moving Parts L [mm (inch)]	Moving Mass ¹⁾ [g (lb)]	Total Weight ¹⁾ [g (lb)]
LM01-23X160/80	Ball Bearings	80 (3.15)	305.5 (12.03)	610 (1.34)	1890 (4.17)
LM01-23X160/180	Ball Bearings	180 (7.09)	435.5 (17.15)	860 (1.90)	2140 (4.72)
LM01-23X160/280	Ball Bearings	280 (11.02)	495.5 (19.51)	1020 (2.25)	2300 (5.07)
LM01-23X160/80-GF	Plain Bushings	80 (3.15)	305.5 (12.03)	610 (1.34)	1890 (4.17)
LM01-23X160/180-GF	Plain Bushings	180 (7.09)	435.5 (17.15)	860 (1.90)	2140 (4.72)
LM01-23X160/280-GF	Plain Bushings	280 (11.02)	495.5 (19.51)	1020 (2.25)	2300 (5.07)

¹⁾ linear guide with linear motor

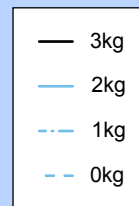
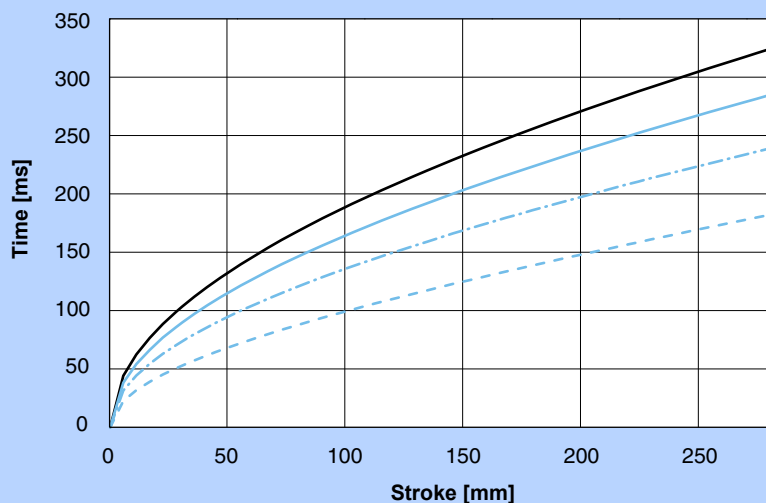
Linear Guides H01-23X166



Dimensions in mm

Materials	Guide Block & Front Plate	Guide Shaft	Bearing	Wipers	
H01-23x166/...	Ball Bearings	Anodized Aluminum	Hardened Steel	Steel	Nitrile Rubber
H01-23x166/...-GF	Plain Bushings	Anodized Aluminum	Stainless Steel 1.4104	Sintered Bronze	Nitrile Rubber

Positioning Times with LM01-23X160

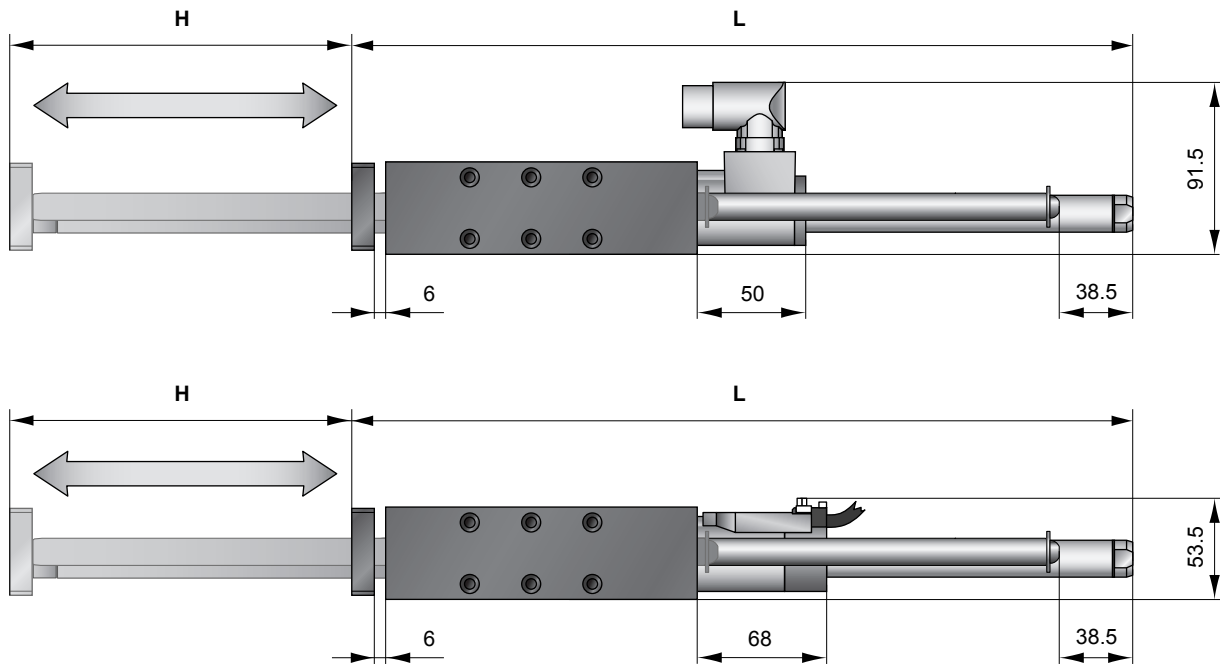


Minimum positioning times for horizontal motions with different load masses, controlled by an E1100-HC Servo Drive.

Ordering Information

LM01-23x160/80		Linear Module 23x160 with 80mm Stroke		
Linear Guide	H01-23x166/80	H01 for P01-23x160, 80mm Stroke, Ball Bearings		0150-5017
	H01-23x166/80-GF	H01 for P01-23x160, 80mm Stroke, Plain Bushings		0150-5077
Stator	PS01-23x160-R	Linear motor stator, connector R - IP67		0150-1234
	PS01-23x160F-R	Linear motor stator, connector R - IP67	Fast Winding	0150-1235
	PS01-23x160-R20	Linear motor stator, 0.2m Cable, connector R - IP67		0150-1242
	PS01-23x160F-R20	Linear motor stator, 0.2m Cable, connector R - IP67	Fast Winding	0150-1243
	PS01-23x160	Linear motor stator, 1.0m Cable, connector D		0150-1202
Slider	PL01-12x290/240	Standard Slider for H01-23x166/80		0150-1320
LM01-23x160/180		Linear Module 23x160 with 180mm Stroke		
Linear Guide	H01-23x166/180	H01 for P01-23x160, 180mm Stroke, Ball Bearings		0150-5018
	H01-23x166/180-GF	H01 for P01-23x160, 180mm Stroke, Plain Bushings		0150-5078
Stator	PS01-23x160-R	Linear motor stator, connector R - IP67		0150-1234
	PS01-23x160F-R	Linear motor stator, connector R - IP67	Fast Winding	0150-1235
	PS01-23x160-R20	Linear motor stator, 0.2m Cable, connector R - IP67		0150-1242
	PS01-23x160F-R20	Linear motor stator, 0.2m Cable, connector R - IP67	Fast Winding	0150-1243
	PS01-23x160	Linear motor stator, 1.0m Cable, connector D		0150-1202
Slider	PL01-12x420/370	Standard Slider for H01-23x166/180		0150-1324
LM01-23x160/280		Linear Module 23x160 with 280mm Stroke		
Linear Guide	H01-23x166/280	H01 for P01-23x160, 280mm Stroke, Ball Bearings		0150-5019
	H01-23x166/280-GF	H01 for P01-23x160, 280mm Stroke, Plain Bushings		0150-5079
Stator	PS01-23x160-R	Linear motor stator, connector R - IP67		0150-1234
	PS01-23x160F-R	Linear motor stator, connector R - IP67	Fast Winding	0150-1235
	PS01-23x160-R20	Linear motor stator, 0.2m Cable, connector R - IP67		0150-1242
	PS01-23x160F-R20	Linear motor stator, 0.2m Cable, connector R - IP67	Fast Winding	0150-1243
	PS01-23x160	Linear motor stator, 1.0m Cable, connector D		0150-1202
Slider	PL01-12x480/430	Standard Slider for H01-23x166/280		0150-1372
Accessories				
Fan	HV01-23	Fan for H01-23 Linear Guides		0150-5050
MagSpring	MF01-20/H23	Mounting flange for MagSpring M01-20x...		0250-2306
	MA01-20/H23	Mounting adapter for MagSpring M01-20x...		0250-0116
Center Sleeve	HC01-09/04	Center Sleeve D9x4mm		0150-3251

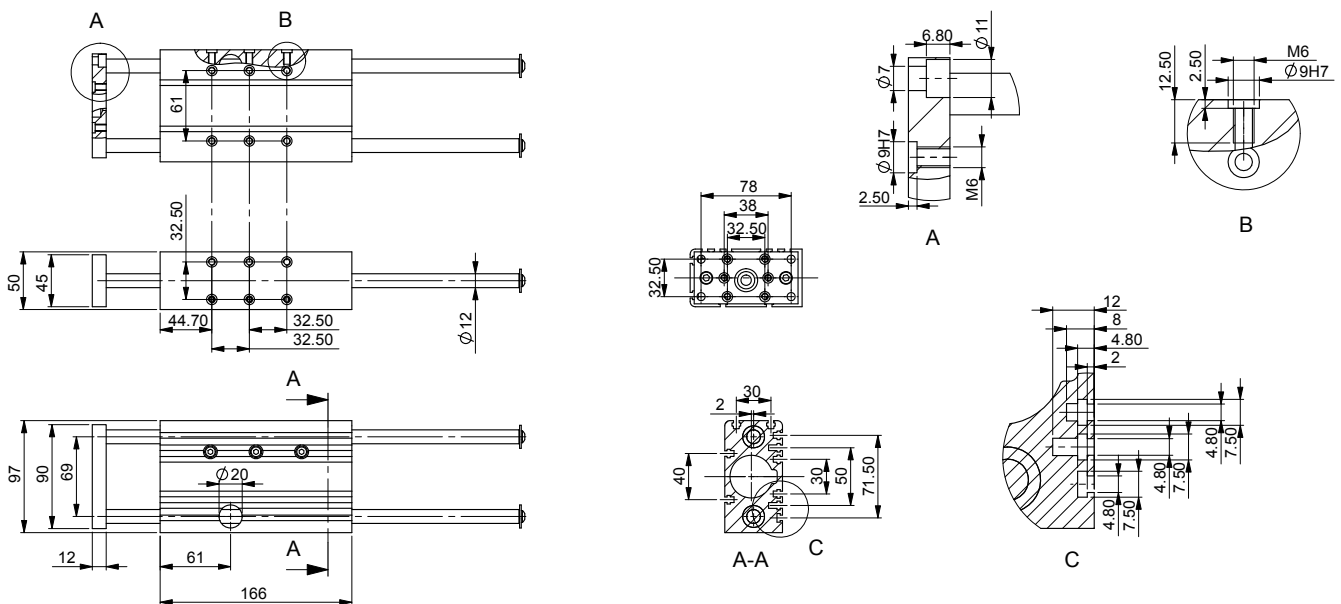
Linear module LM01-37x120



Linear Module	Bearing	Stroke H [mm (inch)]	Moving Parts L [mm (inch)]	Moving Mass ¹⁾ [g (lb)]	Total Weight ¹⁾ [g (lb)]
LM01-37x120/80	Ball Bearings	80 (3.15)	318 (12.52)	1190 (2.62)	3260 (7.18)
LM01-37x120/180	Ball Bearings	180 (7.09)	413 (16.26)	1600 (3.53)	3670 (8.09)
LM01-37x120/280	Ball Bearings	280 (11.02)	518 (20.39)	2030 (4.46)	4100 (9.03)
LM01-37x120/80-GF	Plain Bushings	80 (3.15)	318 (12.52)	1190 (2.62)	3260 (7.18)
LM01-37x120/180-GF	Plain Bushings	180 (7.09)	413 (16.26)	1600 (3.53)	3670 (8.09)
LM01-37x120/280-GF	Plain Bushings	280 (11.02)	518 (20.39)	2030 (4.46)	4100 (9.03)

¹⁾ linear guide with linear motor

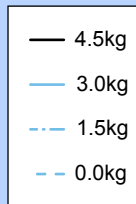
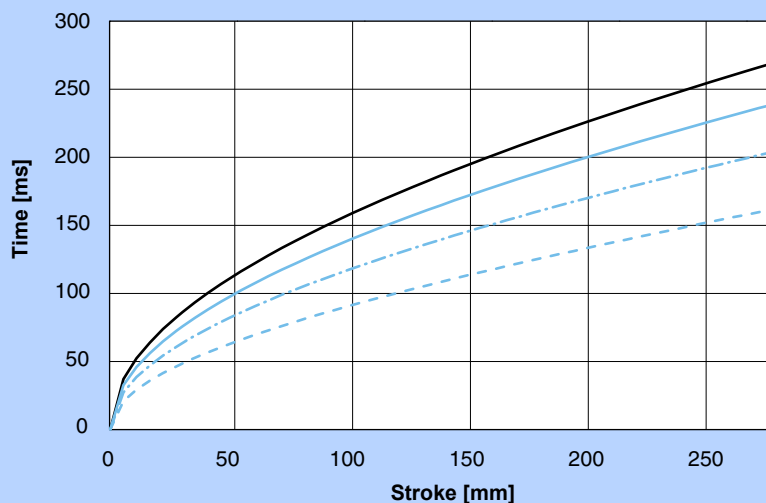
Linear Guides H01-37X166



Dimensions in mm

Materials	Guide Block & Front Plate	Guide Shaft	Bearing	Wipers	
H01-37x166/...	Ball Bearings	Anodized Aluminum	Hardened Steel	Steel	Nitrile Rubber
H01-37x166/...-GF	Plain Bushings	Anodized Aluminum	Stainless Steel 1.4104	Sintered Bronze	Nitrile Rubber

Positioning Times with LM01-37x120



Minimum positioning times for horizontal motions with different load masses, controlled by an E1100-HC Servo Drive.

Ordering Information

LM01-37x120/80		Linear Module 37x120 with 80mm Stroke		
Linear Guide	H01-37x166/80	H01 for P01-37x120, 80mm Stroke, Ball Bearings	0150-5020	
	H01-37x166/80-GF	H01 for P01-37x120, 80mm Stroke, Plain Bushings	0150-5080	
Stator	PS01-37x120-C	Linear motor stator, connector C - IP67	0150-1223	
	PS01-37x120-C20	Linear motor stator, 0.2m Cable, connector C - IP67	0150-1237	
	PS01-37x120	Linear motor stator, 1.5m Cable, connector P	0150-1204	
Slider	PL01-20x300/220	Standard Slider for H01-37x166/80	0150-1348	

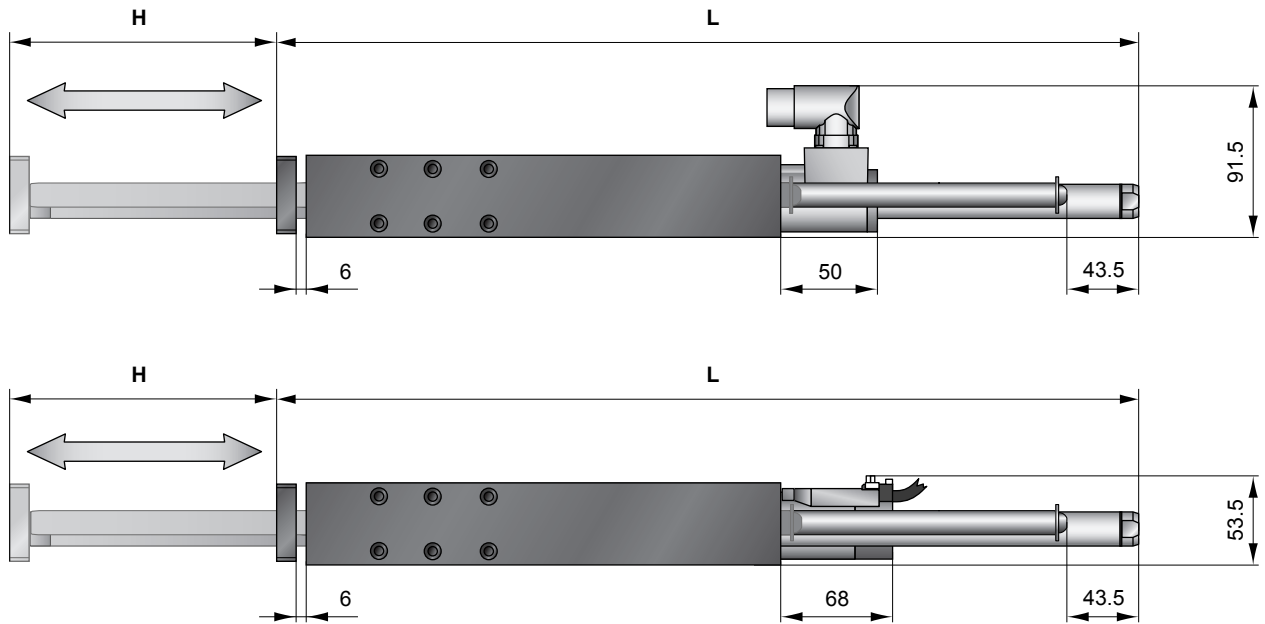
LM01-37x120/180		Linear Module 37x120 with 180mm Stroke		
Linear Guide	H01-37x166/180	H01 for P01-37x120, 180mm Stroke, Ball Bearings	0150-5021	
	H01-37x166/180-GF	H01 for P01-37x120, 180mm Stroke, Plain Bushings	0150-5081	
Stator	PS01-37x120-C	Linear motor stator, connector C - IP67	0150-1223	
	PS01-37x120-C20	Linear motor stator, 0.2m Cable, connector C - IP67	0150-1237	
	PS01-37x120	Linear motor stator, 1.5m Cable, connector P	0150-1204	
Slider	PL01-20x395/320	Standard Slider for H01-37x166/180	0150-1318	

LM01-37x120/280		Linear Module 37x120 with 280mm Stroke		
Linear Guide	H01-37x166/280	H01 for P01-37x120, 280mm Stroke, Ball Bearings	0150-5022	
	H01-37x166/280-GF	H01 for P01-37x120, 280mm Stroke, Plain Bushings	0150-5082	
Stator	PS01-37x120-C	Linear motor stator, connector C - IP67	0150-1223	
	PS01-37x120-C20	Linear motor stator, 0.2m Cable, connector C - IP67	0150-1237	
	PS01-37x120	Linear motor stator, 1.5m Cable, connector P	0150-1204	
Slider	PL01-20x500/420	Standard Slider for H01-37x166/280	0150-1328	

Accessories

Brake	HB01-37	Pneumatic Brake for H01-37/600N (4-6Bar)	0150-5052
Fan	HV01-37/48	Fan for H01-37 und -48 Linear Guides	0150-5051
MagSpring	MF01-37/H37	Mounting flange for MagSpring M01-37x...	0250-2307
	MA01-37/H37	Mounting adapter for MagSpring M01-37x...	0250-0117
Center Sleeve	HC01-09/04	Center Sleeve D9x4mm	0150-3251
Wiper	HA01-27/20-F	Wiper for H01-37 guides, front side	0150-5108

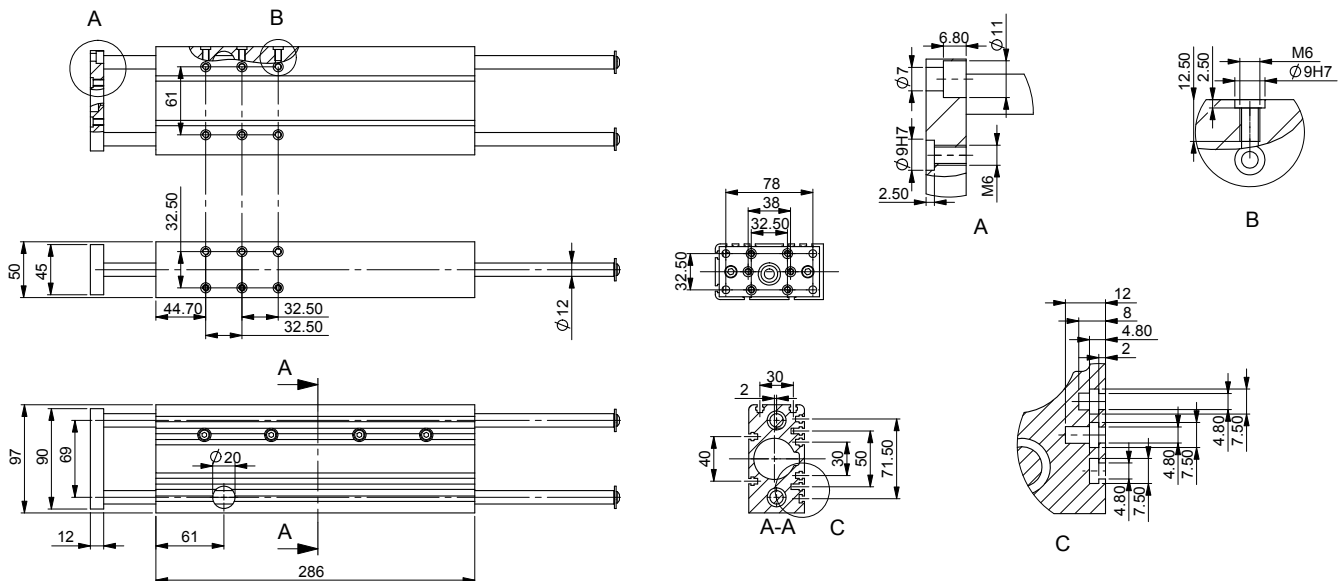
Linear module LM01-37x240



Linear Module	Bearing	Stroke H [mm (inch)]	Moving Parts L [mm (inch)]	Moving Mass ¹⁾ [g (lb)]	Total Weight ¹⁾ [g (lb)]
LM01-37x240/60	Ball Bearings	60 (2.36)	413 (16.26)	1600 (3.53)	5280 (11.63)
LM01-37x240/160	Ball Bearings	160 (6.30)	518 (20.39)	2020 (4.44)	5690 (12.54)
LM01-37x240/260	Ball Bearings	260 (10.24)	618 (24.33)	2420 (5.33)	6100 (13.43)
LM01-37x240/60-GF	Plain Bushings	60 (2.36)	413 (16.26)	1600 (3.53)	5280 (11.63)
LM01-37x240/160-GF	Plain Bushings	160 (6.30)	518 (20.39)	2020 (4.44)	5690 (12.54)
LM01-37x240/260-GF	Plain Bushings	260 (10.24)	618 (24.33)	2420 (5.33)	6100 (13.43)

¹⁾ linear guide with linear motor

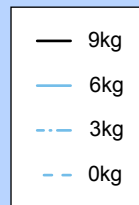
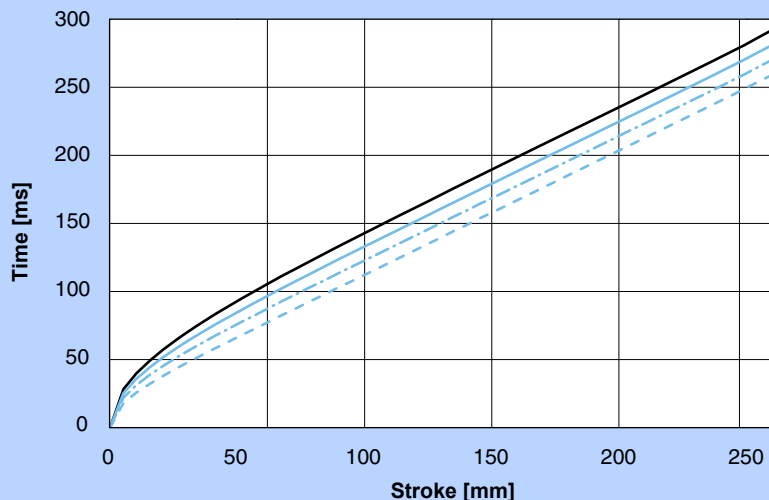
Linear Guides H01-37x286



Dimensions in mm

Materials	Guide Block & Front Plate	Guide Shaft	Bearing	Wipers	
H01-37x286/...	Ball Bearings	Anodized Aluminum	Hardened Steel	Steel	Nitrile Rubber
H01-37x286/...-GF	Plain Bushings	Anodized Aluminum	Stainless Steel 1.4104	Sintered Bronze	Nitrile Rubber

Positioning Times with LM01-37x240



Minimum positioning times for horizontal motions with different load masses, controlled by an E1100-HC Servo Drive.

Ordering Information

LM01-37x240/60	Linear Module 37x240 with 60mm Stroke			
Linear Guide	H01-37x286/60	H01 for P01-37x240, 60mm Stroke, Ball Bearings		0150-5023
	H01-37x286/60-GF	H01 for P01-37x240, 60mm Stroke, Plain Bushings		0150-5083
Stator	PS01-37x240-C	Linear motor stator, connector C - IP67		0150-1224
	PS01-37x240F-C	Linear motor stator, connector C - IP67	Fast Winding	0150-1225
	PS01-37x240-C20	Linear motor stator, 0.2m Cable, connector C - IP67		0150-1238
	PS01-37x240F-C20	Linear motor stator, 0.2m Cable, connector C - IP67	Fast Winding	0150-1239
	PS01-37x240	Linear motor stator, 1.5m Cable, connector P		0150-1203
Slider	PL01-20x395/320	Standard Slider for H01-37x286/60		0150-1318

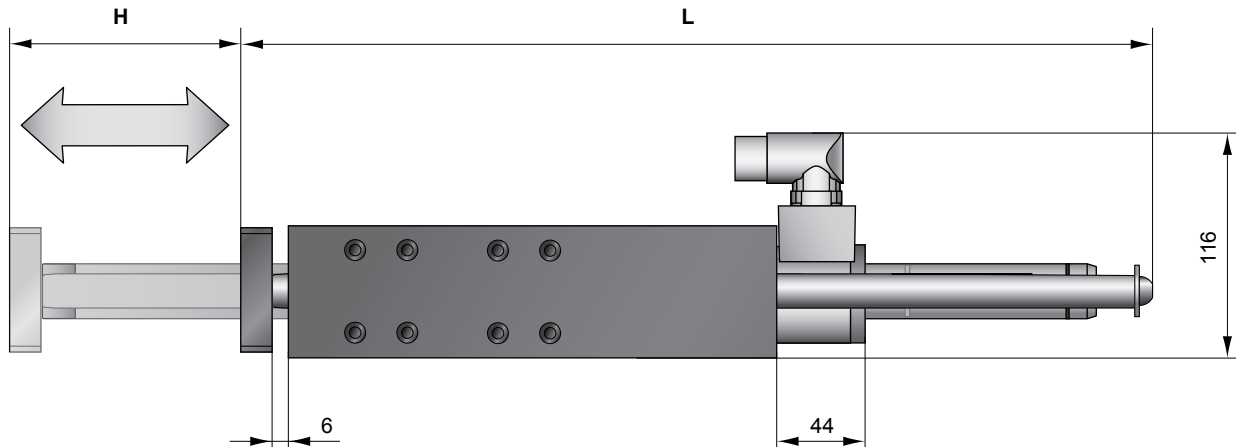
LM01-37x240/160	Linear Module 37x240 with 160mm Stroke			
Linear Guide	H01-37x286/160	H01 for P01-37x240, 160mm Stroke, Ball Bearings		0150-5024
	H01-37x286/160-GF	H01 for P01-37x240, 160mm Stroke, Plain Bushings		0150-5084
Stator	PS01-37x240-C	Linear motor stator, connector C - IP67		0150-1224
	PS01-37x240F-C	Linear motor stator, connector C - IP67	Fast Winding	0150-1225
	PS01-37x240-C20	Linear motor stator, 0.2m Cable, connector C - IP67		0150-1238
	PS01-37x240F-C20	Linear motor stator, 0.2m Cable, connector C - IP67	Fast Winding	0150-1239
	PS01-37x240	Linear motor stator, 1.5m Cable, connector P		0150-1203
Slider	PL01-20x500/420	Standard Slider for H01-37x286/160		0150-1328

LM01-37x240/260	Linear Module 37x240 with 260mm Stroke			
Linear Guide	H01-37x286/260	H01 for P01-37x240, 260mm Stroke, Ball Bearings		0150-5025
	H01-37x286/260-GF	H01 for P01-37x240, 260mm Stroke, Plain Bushings		0150-5085
Stator	PS01-37x240-C	Linear motor stator, connector C - IP67		0150-1224
	PS01-37x240F-C	Linear motor stator, connector C - IP67	Fast Winding	0150-1225
	PS01-37x240-C20	Linear motor stator, 0.2m Cable, connector C - IP67		0150-1238
	PS01-37x240F-C20	Linear motor stator, 0.2m Cable, connector C - IP67	Fast Winding	0150-1239
	PS01-37x240	Linear motor stator, 1.5m Cable, connector P		0150-1203
Slider	PL01-20x600/520	Standard Slider for H01-37x286/260		0150-1330

Accessories

Brake	HB01-37	Pneumatic Brake for H01-37/600N (4-6Bar)		0150-5052
Fan	HV01-37/48	Fan for H01-37 und -48 Linear Guides		0150-5051
MagSpring	MF01-37/H37	Mounting flange for MagSpring M01-37x...		0250-2307
	MA01-37/H37	Mounting adapter for MagSpring M01-37x...		0250-0117
Center Sleeve	HC01-09/04	Center Sleeve D9x4mm		0150-3251
Wiper	HA01-27/20-F	Wiper for H01-37 guides, front side		0150-5108

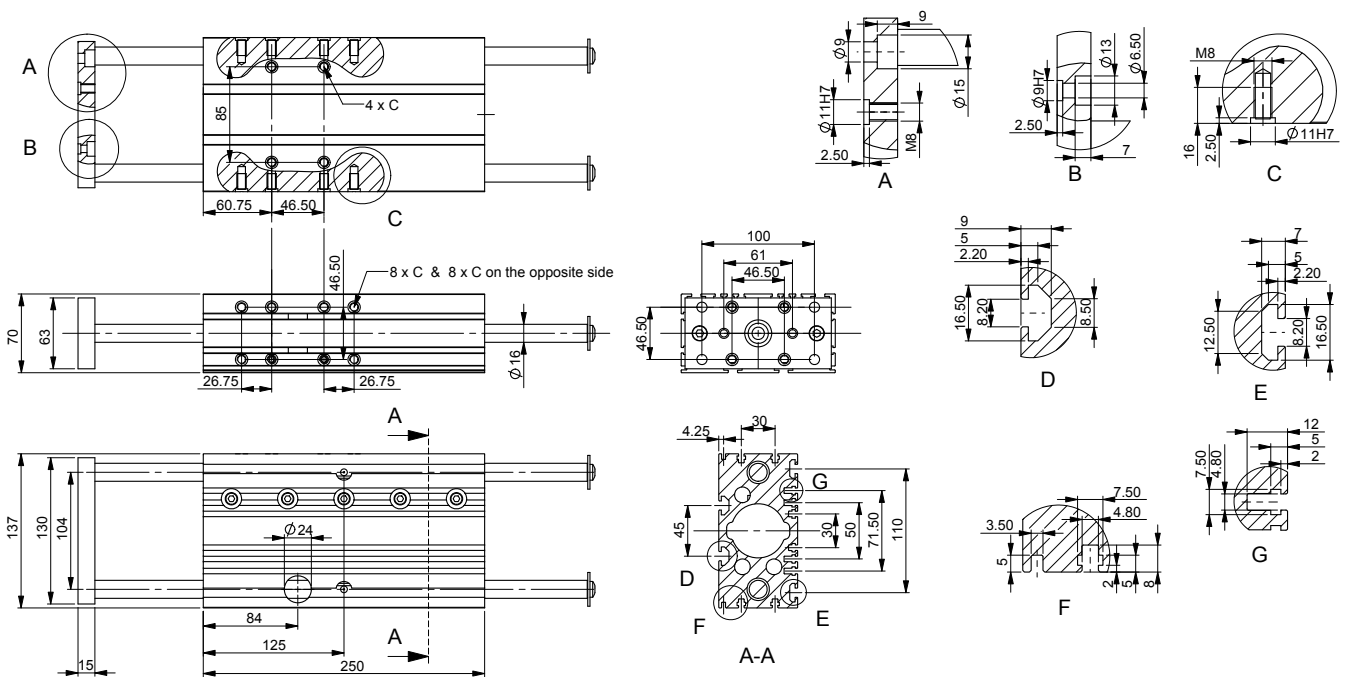
Linear module LM01-48x240



Linear Module	Bearing	Stroke H [mm (inch)]	Moving Parts L [mm (inch)]	Moving Mass ¹⁾ [g (lb)]	Total Weight ¹⁾ [g (lb)]
LM01-48X240/120	Ball Bearings	120 (4.72)	460 (18.11)	3400 (7.47)	8950 (19.66)
LM01-48X240/210	Ball Bearings	210 (8.27)	550 (21.65)	4100 (9.02)	9650 (21.21)
LM01-48X240/330	Ball Bearings	330 (12.99)	670 (26.38)	5050 (11.07)	10600 (23.26)
LM01-48X240/420	Ball Bearings	420 (16.54)	760 (29.92)	5750 (12.61)	11300 (24.80)
LM01-48X240/120-GF	Plain Bushings	120 (4.72)	460 (18.11)	3400 (7.47)	8950 (19.66)
LM01-48X240/210-GF	Plain Bushings	210 (8.27)	550 (21.65)	4100 (9.02)	9650 (21.21)
LM01-48X240/330-GF	Plain Bushings	330 (12.99)	670 (26.38)	5050 (11.07)	10600 (23.26)
LM01-48X240/420-GF	Plain Bushings	420 (16.54)	760 (29.92)	5750 (12.61)	11300 (24.80)

¹⁾ linear guide with linear motor

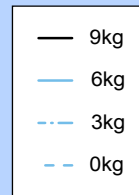
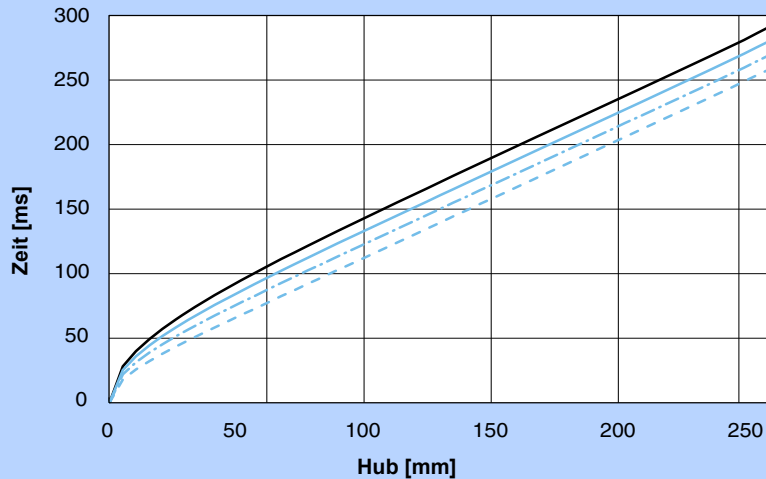
Linear Guides H01-48x250



Dimensions in mm

Materials	Guide Block & Front Plate	Guide Shaft	Bearing	Wipers	
H01-48x250/...	Ball Bearings	Anodized Aluminum	Hardened Steel	Steel	Nitrile Rubber
H01-48x250/...-GF	Plain Bushings	Anodized Aluminum	Stainless Steel 1.4104	Sintered Bronze	Nitrile Rubber

Positioning Times with LM01-48x240

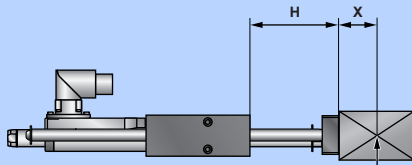


Minimum positioning times for horizontal motions with different load masses, controlled by an E1100-HC Servo Drive.

Ordering Information

LM01-48x240/120	Linear Module 48x240 with 120mm Stroke			
Linear Guide	H01-48x250/120	H01 for P01-48x240, 120mm Stroke, Ball Bearings		0150-5100
	H01-48x250/120-GF	H01 for P01-48x240, 120mm Stroke, Plain Bushings		0150-5104
Stator	PS01-48x240-C	Linear motor stator, connector C - IP67		0150-1219
	PS01-48x240F-C	Linear motor stator, connector C - IP67	Fast Winding	0150-1220
Slider	PL01-28x410/330	Standard Slider for H01-48x250/120		0150-1381
LM01-48x240/210	Linear Module 48x240 with 210mm Stroke			
Linear Guide	H01-48x250/210	H01 for P01-48x240, 210mm Stroke, Ball Bearings		0150-5101
	H01-48x250/210-GF	H01 for P01-48x240, 210mm Stroke, Plain Bushings		0150-5105
Stator	PS01-48x240-C	Linear motor stator, connector C - IP67		0150-1219
	PS01-48x240F-C	Linear motor stator, connector C - IP67	Fast Winding	0150-1220
Slider	PL01-28x500/420	Standard Slider for H01-48x250/210		0150-1382
LM01-48x240/330	Linear Module 48x240 with 330mm Stroke			
Linear Guide	H01-48x250/330	H01 for P01-48x240, 330mm Stroke, Ball Bearings		0150-5102
	H01-48x250/330-GF	H01 for P01-48x240, 330mm Stroke, Plain Bushings		0150-5106
Stator	PS01-48x240-C	Linear motor stator, connector C - IP67		0150-1219
	PS01-48x240F-C	Linear motor stator, connector C - IP67	Fast Winding	0150-1220
Slider	PL01-28x620/540	Standard Slider for H01-48x250/330		0150-1383
LM01-48x240/420	Linear Module 48x240 with 420mm Stroke			
Linear Guide	H01-48x250/420	H01 for P01-48x240, 420mm Stroke, Ball Bearings		0150-5103
	H01-48x250/420-GF	H01 for P01-48x240, 420mm Stroke, Plain Bushings		0150-5107
Stator	PS01-48x240-C	Linear motor stator, connector C - IP67		0150-1219
	PS01-48x240F-C	Linear motor stator, connector C - IP67	Fast Winding	0150-1220
Slider	PL01-28x710/630	Standard Slider for H01-48x250/420		0150-1384
Accessories				
Brake	HB01-48	Pneumatic Brake for H01-48/1000N (4-6Bar)		0150-5098
Fan	HV01-37/48	Fan for H01-37 und -48 Linear Guides		0150-5051
MagSpring	MF01-37/H37	Mounting flange for MagSpring M01-37x...		0250-2307
	MA01-37/H48	Mounting adapter for MagSpring M01-37x...		0250-0118
Sliding Block	PFN01-8/M6	Sliding Block 8mm with M6 Thread		0150-3245
Center Sleeve	HC01-11/05	Center Sleeve D11x5mm		0150-3252
Wiper	HA01-48/28-F	Wiper for H01-48 guides, front side		0150-5109

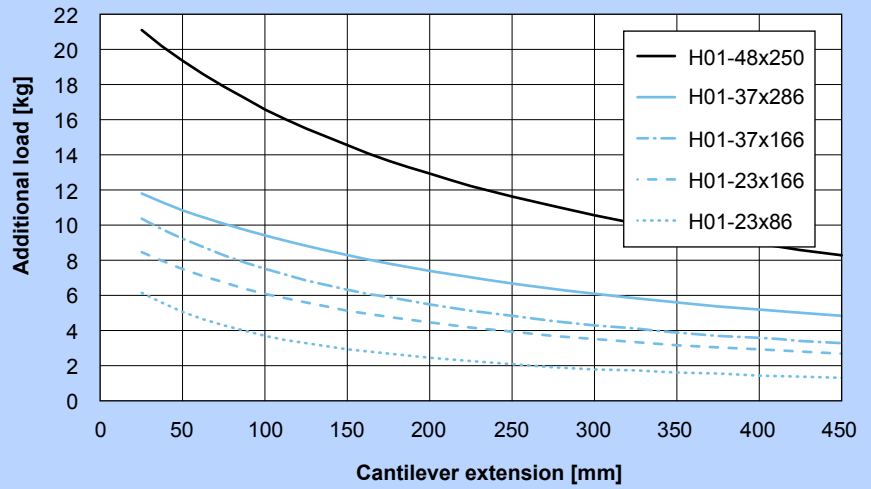
Maximum Load



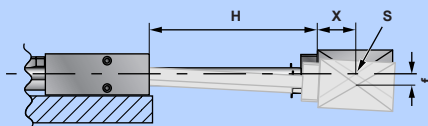
H = Stroke
 X = Distance to center of gravity
 S = Center of gravity

Cantilever extension = H + X

The maximum load depends on the cantilever extension (maximum stroke A plus distance between the center of gravity of the working load and the mounting surface).



Vertical Deflection

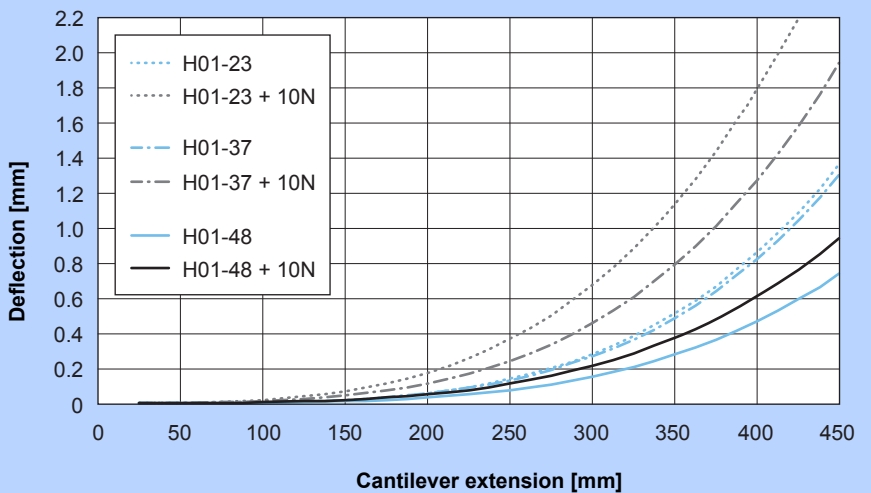


H = Stroke
 X = Distance to center of gravity
 f = Deflection of theoretical axis
 S = Center of gravity

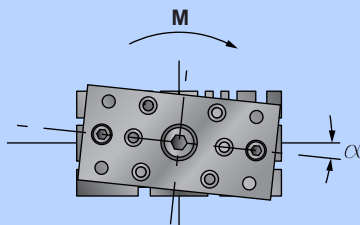
Total deflection = static deflection + deflection under load

Deflection measured at standstill, with 10 N / 2.25 lbf load.

Deflection for smaller or larger load masses can be linearly extrapolated using the data for 10 N / 2.25 lbf.

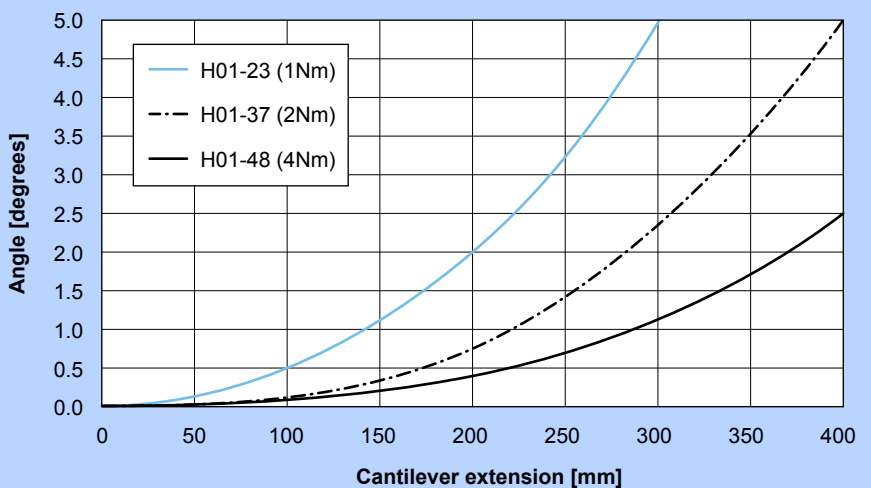


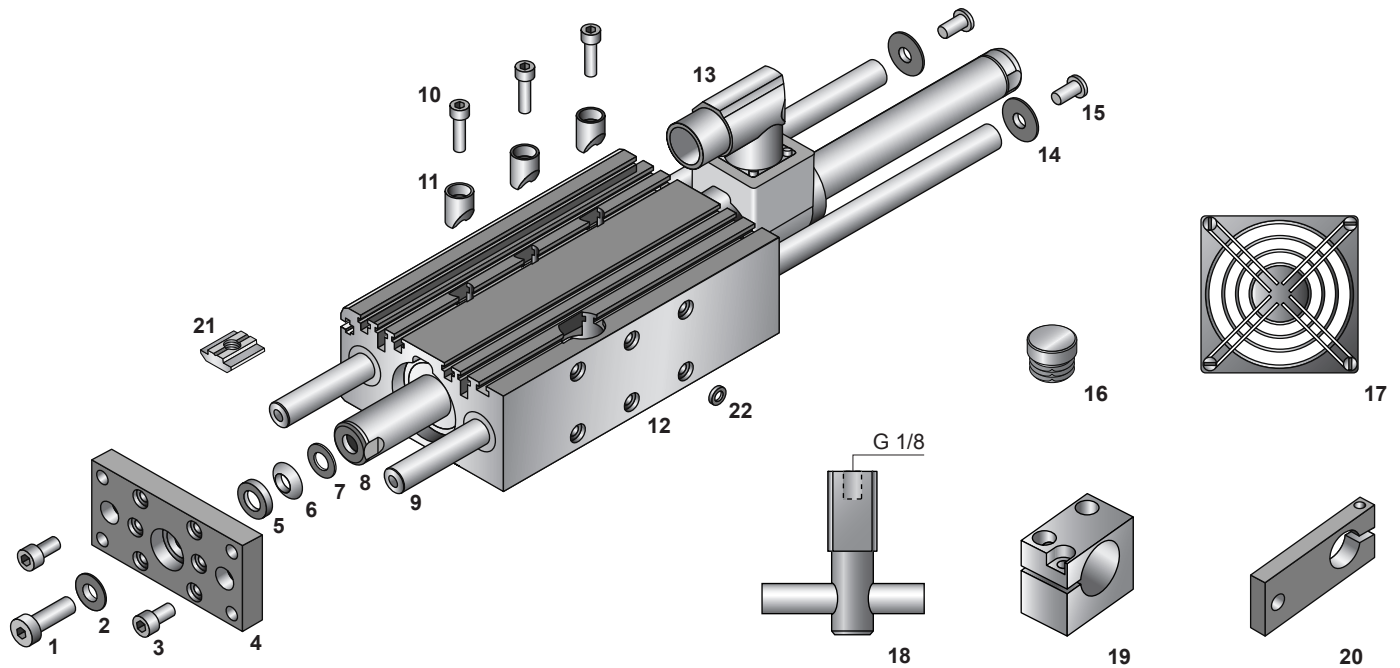
Angular Deflection



Angular deflection (twist) of the mounting plate depends on the torque load to be absorbed and the cantilever extension.

The angular deflection for smaller or larger torques can be linearly extrapolated from the deflection in the diagram.





Parts List						
Linear Guide	H01-23x86	H01-23x166	H01-37x166	H01-37x286	H01-48x250	
1 Slider screw	ISO 4762 M5x18	ISO 4762 M5x18	DIN7984 M8x25	DIN7984 M8x25	DIN7984 M10x35	
2 Socket washer (f)	DIN 6319 c / M6	DIN 6319 c / M6	DIN 6319 c / M8	DIN 6319 c / M8	DIN 6319 c / M10	
3 Shaft screw	ISO 4762 M5x12	ISO 4762 M5x12	ISO 4762 M6x12	ISO 4762 M6x12	ISO 4762 M8x20	
4 Front plate	HF01-23 0150-5004	HF01-23 0150-5004	HF01-37 0150-5005	HF01-37 0150-5005	HF01-48 0150-5087	
5 Ball washer (r)	DIN 6319 d / M5	DIN 6319 d / M5	DIN 6319 d / M8	DIN 6319 d / M8	DIN 6319 d / M10	
6 Socket washer (r)	DIN 6319 c / M5	DIN 6319 c / M5	DIN 6319 c / M8	DIN 6319 c / M8	DIN 6319 c / M10	
7 Dished washer	DIN 2093A 10/5,2/0,5	DIN 2093A 10/5,2/0,5	DIN 2093A 16/8,2/0,9	DIN 2093A 16/8,2/0,9	DIN 2093A 20/10,2/1,1	
8 Slider	PL01-12x...	PL01-12x...	PL01-20x...	PL01-20x...	PL01-28x...	
9 Hardened steel shafts for ball bearings	HL01-10x160 HL01-10x260 HL01-10x360	HL01-10x260 HL01-10x360 HL01-10x460	HL01-12x260 HL01-12x360 HL01-12x460	HL01-12x360 HL01-12x460 HL01-12x560	HL01-16x440 HL01-16x530 HL01-16x650 HL01-16x740	
Stainless steel shafts for plain bushings GF	HL01-10x160-GF HL01-10x260-GF HL01-10x360-GF	HL01-10x260-GF HL01-10x360-GF HL01-10x460-GF	HL01-12x260-GF HL01-12x360-GF HL01-12x460-GF	HL01-12x360-GF HL01-12x460-GF HL01-12x560-GF	HL01-16x440-GF HL01-16x530-GF HL01-16x650-GF HL01-16x740-GF	
10 Clamping screw	ISO 4762 M5x18	ISO 4762 M5x18	ISO 4762 M5x18	ISO 4762 M5x18	ISO 4762 M6x25	
11 Clamping cylinder	HZ01-23/37 0150-5053	HZ01-23/37 0150-5053	HZ01-23/37 0150-5053	HZ01-23/37 0150-5053	HZ01-48 0150-5086	
12 Guide block with ball bearings	HS01-23x86 0150-5000	HS01-23x166 0150-5001	HS01-37x166 0150-5002	HS01-37x286 0150-5003	HS01-48x250 0150-5088	
Guide block with plain bushing GF	HS01-23x86-GF 0150-5060	HS01-23x166-GF 0150-5061	HS01-37x166-GF 0150-5062	HS01-37x286-GF 0150-5063	HS01-48x250-GF 0150-5089	
13 Stator	PS01-23x80...	PS01-23x160...	PS01-37x120...	PS01-37x240...	PS01-48x240...	
14 Washer	5x20/1,5	5x20/1,5	6x20/1,5	6x20/1,5	8x30/2,0	
15 Shaft screw	ISO 7380 M5x12	ISO 7380 M5x12	ISO 7380 M6x12	ISO 7380 M6x12	ISO 7380 M8x16	
16 Brake hole cap	-	-	HDPE 20mm	HDPE 20mm	HDPE 24mm	
Ball bearing	SKF LBBR10-LS	SKF LBBR10-LS	SKF LBBR12-LS	SKF LBBR12-LS	SKF LBBR16-LS	
Plain bushing GF	HGF01-23	HGF01-23	HGF01-37	HGF01-37	HGF01-48	
Fan						
17 Set	HV01-23 0150-5050	HV01-23 0150-5050	HV01-37/48 0150-5051	HV01-37/48 0150-5051	HV01-37/48 0150-5051	
Brake						
18 Pneumatic Brake	-	-	HB01-37 0150-5052	HB01-37 0150-5052	HB01-48 0150-5098	
Magspring						
19 Flange	MF01-20/H23 0250-2306	MF01-20/H23 0250-2306	MF01-37/H37 0250-2307	MF01-37/H37 0250-2307	MF01-37/H37 0250-2307	
20 Adapter	MA01-20/H23 0250-0116	MA01-20/H23 0250-0116	MA01-37/H37 0250-0117	MA01-37/H37 0250-0117	MA01-37/H48 0250-0118	
Accessories						
21 Sliding Block	-	-	-	-	PFN01-8/M6 0150-3245	
22 Center Sleeve	HC01-09/04 0150-3251	HC01-09/04 0150-3251	HC01-09/04 0150-3251	HC01-09/04 0150-3251	HC01-11/05 0150-3252	
23 Wiper	-	-	HA01-37/20-F 0150-5108	HA01-37/20-F 0150-5108	HA01-48/28-F 0150-5109	

Bridge Guides

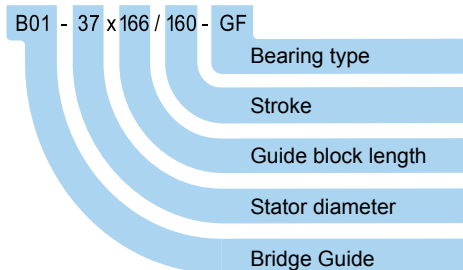
Series B01 bridge guides are compact guide units with integrated ball bearings or plain bushings, for operating LinMot P01 linear motors with high-clearance sliders. The rear end plate increases the mechanical stiffness of the bridge guide.

Bridge Guides are used as load bearings, to resist external forces and rotational and bending moments, and as an anti-rotation device. They provide high-precision guidance and allow dynamic and precise positioning of the load.

The load is mounted directly to the front plate of the linear guide. Mechanical dimensions and mounting options are compatible with pneumatic linear guides. The modular design allows simple addition of accessories, such as a mechanical brake or magnetic spring, for load balancing in vertical applications.

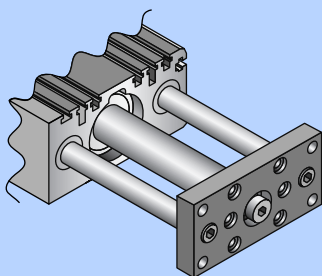


Designation:



Mechanical Compatibility

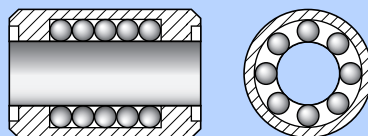
LinMot B01 bridge guides are mechanically compatible with pneumatic H-guides.



This allows simple replacement with a new drive technology, if more flexibility or higher dynamics are required.

Ball Bearings

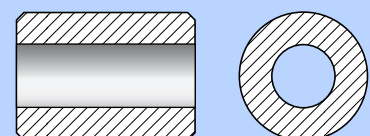
Use of linear guides with ball bearings is recommended for standard applications under normal environmental conditions.



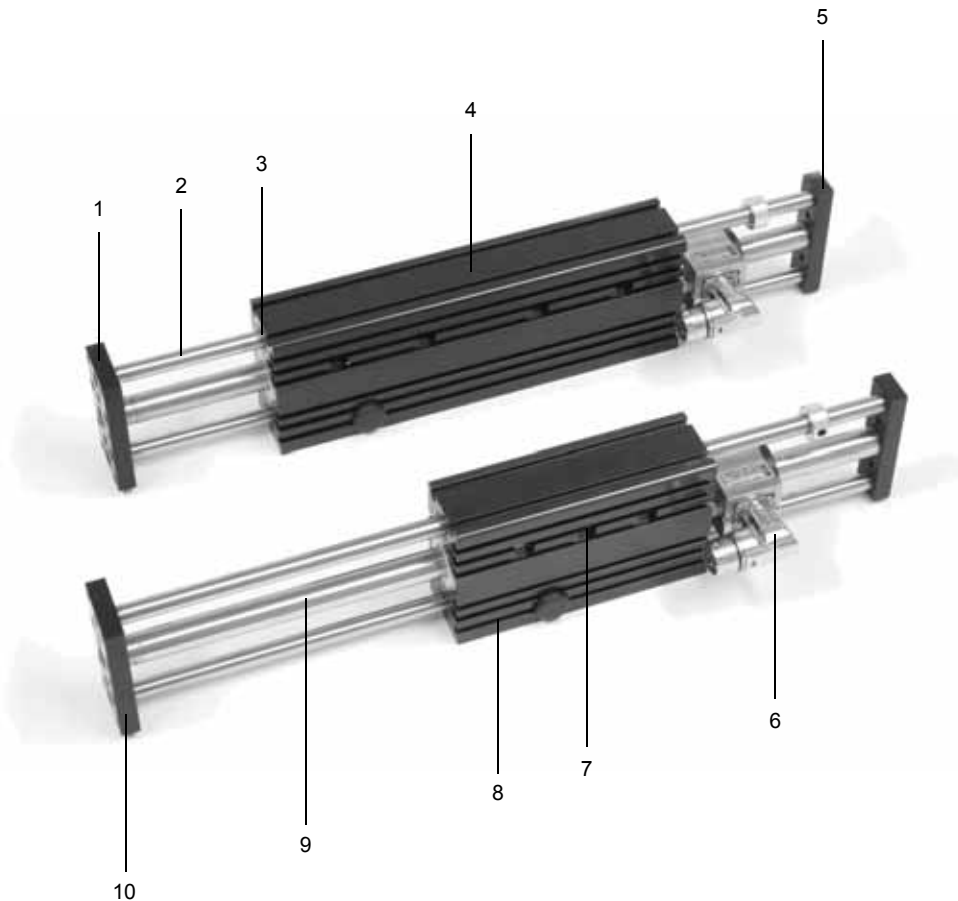
Linear guides with ball bearings have very good running characteristics, and ensure nearly frictionless operation.

Sintered Bushing

For applications in very dirty, damp, or wet environments, the use of linear guides with bushing and stainless steel shafts is recommended.



For highly dynamic applications with accelerations over 50 m/s², the use of bridge modules with Plain Bushings is also recommended.



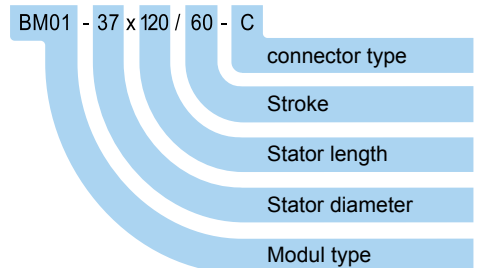
1. Mounting plate with counter bore for precise load mounting
2. Hardened or stainless steel shafts for precise positioning and quiet operation.
3. Ball bearings or plain bushings, for high load masses and long life
4. Guide block with counter bores for uncomplicated, precise mounting of the Bridge Module.
5. Mechanical end stop (rear).
6. Linear motor stator with integrated bearings, temperature and position sensors. Available with IP67 connector housing or cable exit.
7. Clamping cylinder to secure the stator in the guide block.
8. T-slots in the guide block allow simple mounting of accessories.
9. Linear motor slider, guarantees maximum force and precise positioning.
10. Integrated linear coupling for simple mounting of the slider.

Bridge Module BM01

Complete BM01 bridge modules, consisting of a B01 bridge guide and P01 linear motor, are highly dynamic design components. Compact construction and free positioning have significant advantages, especially in textile and packaging machines, assembly and feeding technology, laboratory automation, and special machines and systems.

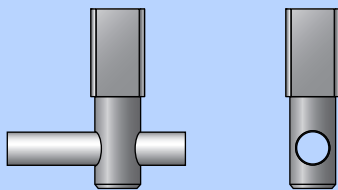


Designation:



Brake Option

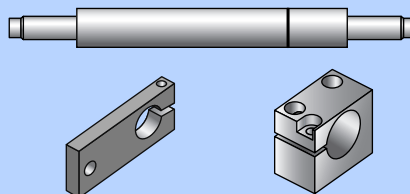
As an option, B01-37 (600N Holding Force) and B01-48 (1000N) guides can have a mechanical brake attached.



The pneumatic brake is controlled by the E1100 Servo Drive. The brake acts on the guide shafts of the linear guide, and is released under air pressure (4-6 bar). With no air pressure, the brake is on.

MagSpring Option

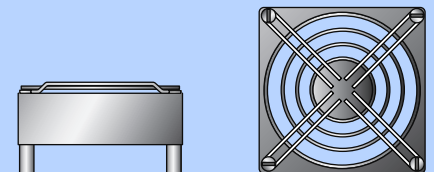
In vertical applications, a MagSpring can be used as a weight balancer.



The MagSpring also prevents the linear motor from falling to the lower end stop if the linear motor is turned off or the power is lost. Appropriate accessories are available for mounting the magnetic spring.

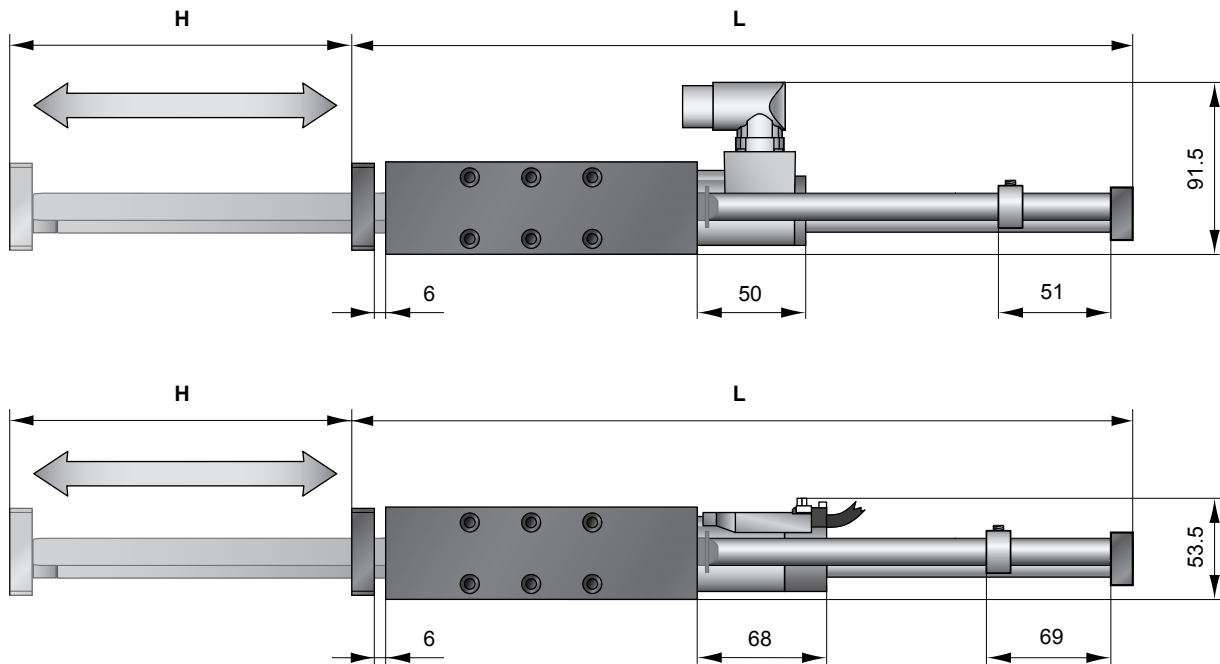
Fan Option

With an additional fan, the holding force of the linear motor can be nearly doubled.



If needed, the optional fan can be mounted directly on the guide.

Bridge Module BM01-37x120

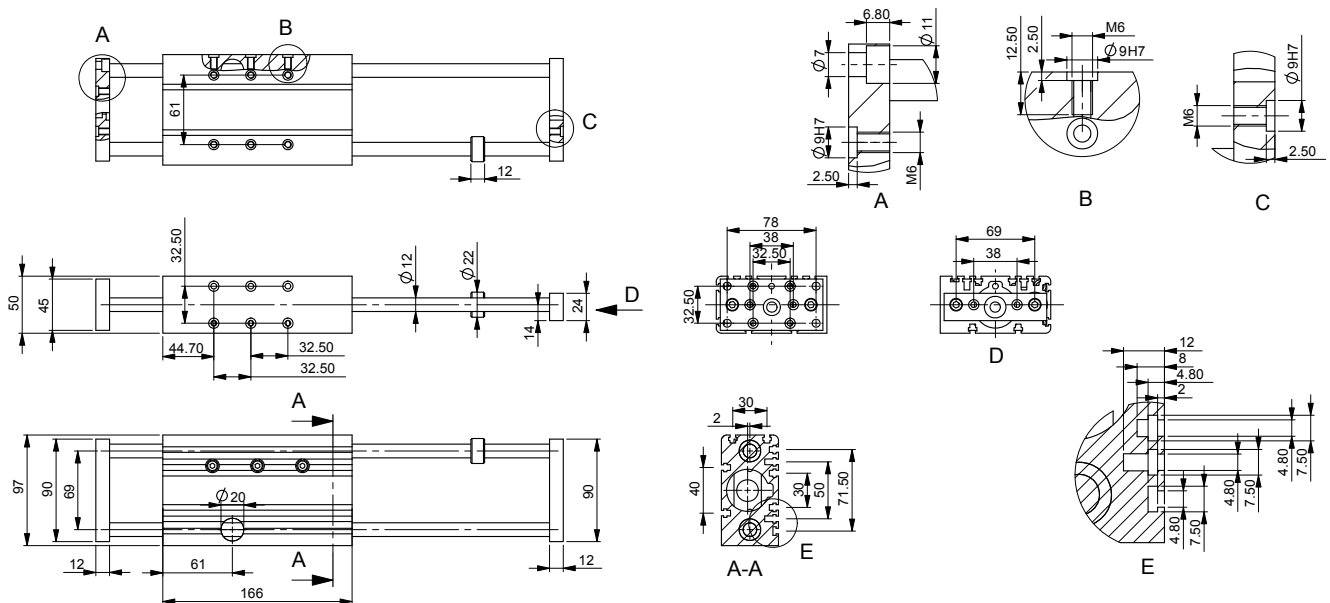


Bridge Module	Bearing	Stroke H ¹⁾ [mm (inch)]	Moving Parts L [mm (inch)]	Moving Mass ²⁾ [g (lb)]	Total Weight ²⁾ [g (lb)]
BM01-37x120/160	Ball Bearings	160 (6.30)	410 (16.14)	1450 (3.15)	3500 (7.72)
BM01-37x120/260	Ball Bearings	260 (10.24)	510 (20.08)	1820 (4.01)	3900 (8.57)
BM01-37x120/360	Ball Bearings	360 (14.17)	610 (24.02)	2210 (4.87)	4300 (9.44)
BM01-37x120/160-GF	Plain Bushings	160 (6.30)	410 (16.14)	1450 (3.15)	3500 (7.72)
BM01-37x120/260-GF	Plain Bushings	260 (10.24)	510 (20.08)	1820 (4.01)	3900 (8.57)
BM01-37x120/360-GF	Plain Bushings	360 (14.17)	610 (24.02)	2210 (4.87)	4300 (9.44)

¹⁾ The stroke is reduced by 18mm when using cable models

²⁾ bridge guide with linear motor

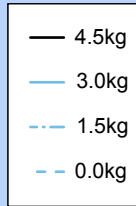
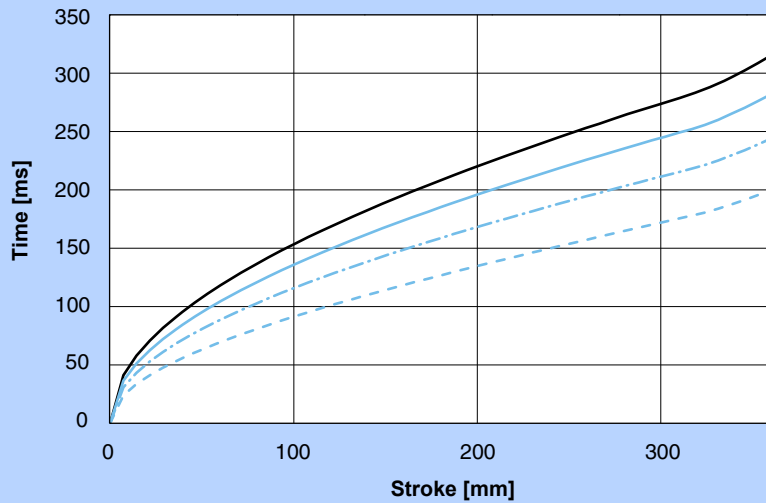
Bridge Guides B01-37X166



Dimensions in mm

Materials	Guide Block & Front Plate	Guide Shaft	Bearing	Wipers	
B01-37x166/...	Ball Bearings	Anodized Aluminum	Hardened Steel	Steel	Nitrile Rubber
B01-37x166/...-GF	Plain Bushings	Anodized Aluminum	Stainless Steel 1.4104	Sintered Bronze	Nitrile Rubber

Positioning Times with BM01-37x120



Minimum positioning times for horizontal motions with different load masses, controlled by an E1100-HC Servo Drive.

Ordering Information

BM01-37x120/160		Bridge Module 37x120 with 160mm stroke ¹⁾		
Bridge Guide	B01-37x166/160	B01 for P01-37x120, 160mm stroke, Ball Bearings		0150-5138
	B01-37x166/160-GF	B01 for P01-37x120, 160mm stroke, Plain Bushings		0150-5141
Stator	PS01-37x120-C	Linear motor stator, connector type C - IP67		0150-1223
	PS01-37x120-C20	Linear motor stator, 0.2m Cable, connector C - IP67		0150-1237
	PS01-37x120	Linear motor stator, 1.5m Cable, connector P		0150-1204
Slider	PL01-19x395/320	High clearance slider for B01-37x166/160		0150-1452

BM01-37x120/260		Bridge Module 37x120 with 260mm stroke ¹⁾		
Bridge Guide	B01-37x166/260	B01 for P01-37x120, 260mm stroke, Ball Bearings		0150-5139
	B01-37x166/260-GF	B01 for P01-37x120, 260mm stroke, Plain Bushings		0150-5142
Stator	PS01-37x120-C	Linear motor stator, connector type C - IP67		0150-1223
	PS01-37x120-C20	Linear motor stator, 0.2m Cable, connector C - IP67		0150-1237
	PS01-37x120	Linear motor stator, 1.5m Cable, connector P		0150-1204
Slider	PL01-19x500/420	High clearance slider for B01-37x166/260		0150-1455

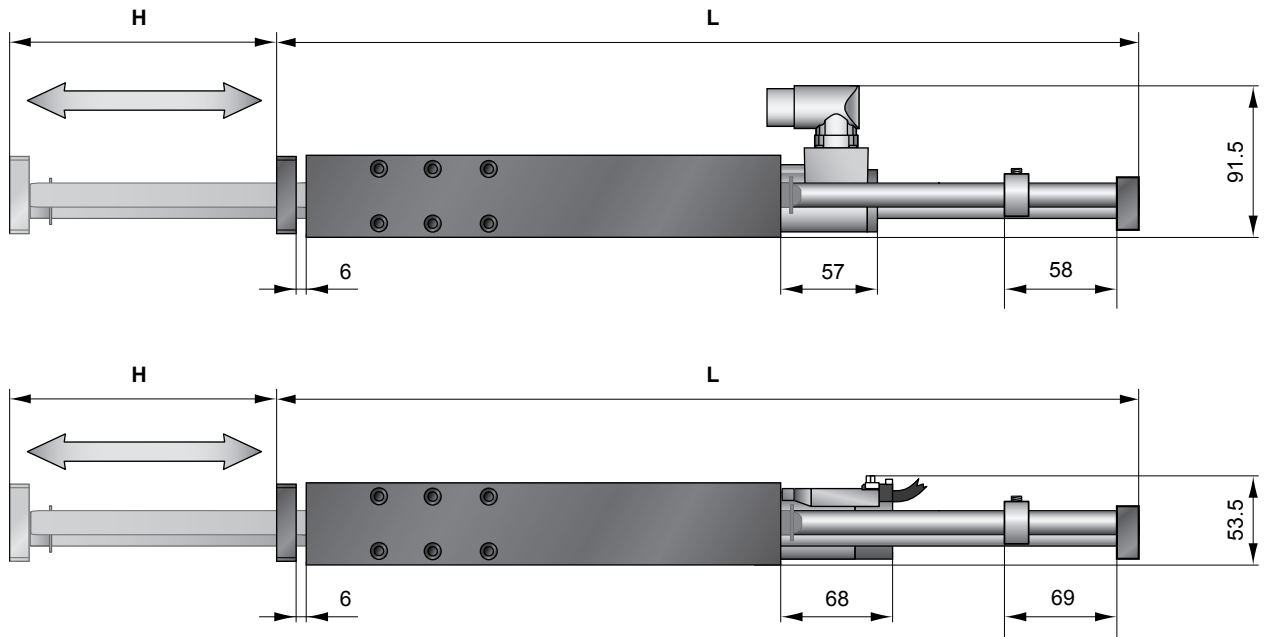
BM01-37x120/360		Bridge Module 37x120 with 360mm stroke ¹⁾		
Bridge Guide	B01-37x166/360	B01 for P01-37x120, 360mm stroke, Ball Bearings		0150-5140
	B01-37x166/360-GF	B01 for P01-37x120, 360mm stroke, Plain Bushings		0150-5143
Stator	PS01-37x120-C	Linear motor stator, connector type C - IP67		0150-1223
	PS01-37x120-C20	Linear motor stator, 0.2m Cable, connector C - IP67		0150-1237
	PS01-37x120	Linear motor stator, 1.5m Cable, connector P		0150-1204
Slider	PL01-19x600/520	High clearance slider for B01-37x166/360		0150-1456

Accessories

Brake	HB01-37	Pneumatic Brake for B01-37 / 600N (4-6 Bar)	0150-5052
Fan	HV01-37/48	Fan for H01-37 und -48 Linear Guides	0150-5051
MagSpring	MF01-37/H37	Mounting flange for MagSpring M01-37x...	0250-2307
	MA01-37/H37	Mounting adapter for MagSpring M01-37x...	0250-0117
Center Sleeve	HC01-09/04	Center Sleeve D9x4mm	0150-3251
Wiper	HA01-37/19-F	Wiper for B01-37 guides, front side	0150-5177

¹⁾ The stroke is reduced by 18mm when using cable models

Bridge Module BM01-37x240

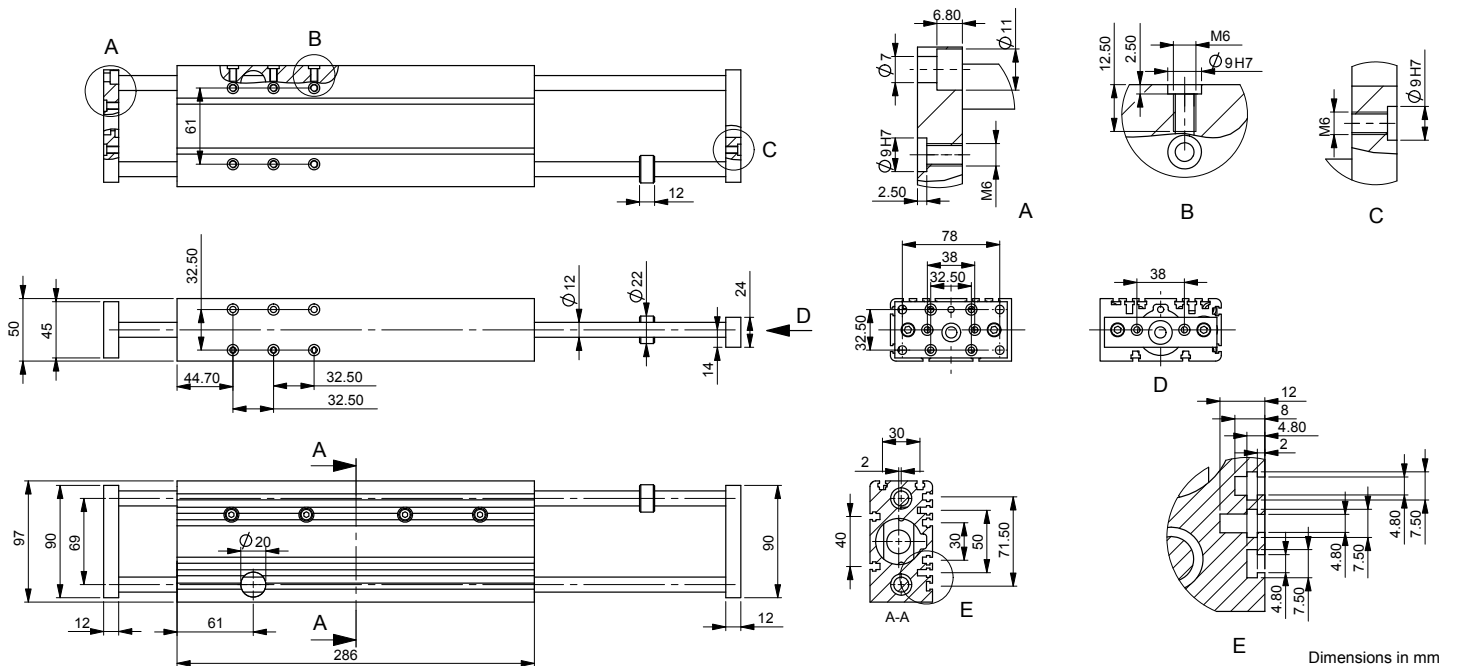


Bridge Module	Bearing	Stroke H ¹⁾ [mm (inch)]	Moving Parts L [mm (inch)]	Moving Mass ²⁾ [g (lb)]	Total Weight ²⁾ [g (lb)]
BM01-37x240/140	Ball Bearings	140 (5.51)	510 (20.08)	1820 (4.01)	5500 (12.11)
BM01-37x240/240	Ball Bearings	240 (9.45)	610 (24.02)	2210 (4.87)	5900 (12.97)
BM01-37x240/340	Ball Bearings	340 (13.39)	710 (27.95)	2600 (5.71)	6300 (13.81)
BM01-37x240/140-GF	Plain Bushings	140 (5.51)	510 (20.08)	1820 (4.01)	5500 (12.11)
BM01-37x240/240-GF	Plain Bushings	240 (9.45)	610 (24.02)	2210 (4.87)	5900 (12.97)
BM01-37x240/340-GF	Plain Bushings	340 (13.39)	710 (27.95)	2600 (5.71)	6300 (13.81)

¹⁾ The stroke is reduced by 18mm when using cable models

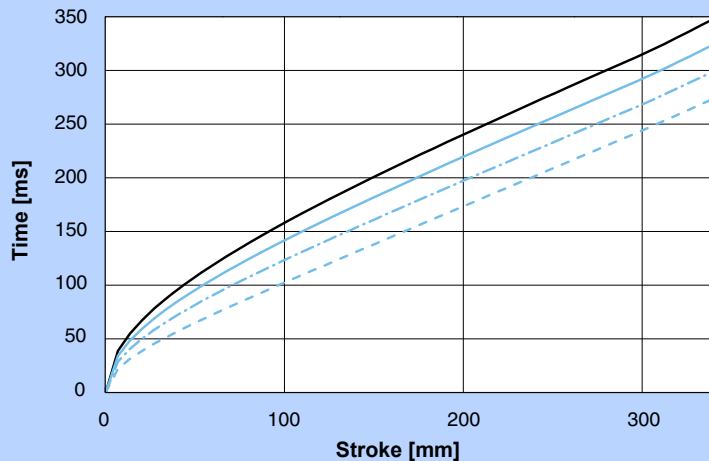
²⁾ bridge guide with linear motor

Bridge Guides B01-37x286



Materials	Guide Block & Front Plate	Guide Shaft	Bearing	Wipers	
B01-37x286/...	Ball Bearings	Anodized Aluminum	Hardened Steel	Steel	Nitrile Rubber
B01-37x286/...-GF	Plain Bushings	Anodized Aluminum	Stainless Steel 1.4104	Sintered Bronze	Nitrile Rubber

Positioning Times with BM01-37x240



Minimum positioning times for horizontal motions with different load masses, controlled by an E1100-HC Servo Drive.

Ordering Information

BM01-37x240/140		Bridge Module 37x240 with 140mm stroke ¹⁾		
Bridge Guide	B01-37x286/140	B01 for P01-37x240, 140mm stroke, Ball Bearings		0150-5144
	B01-37x286/140-GF	B01 for P01-37x240, 140mm stroke, Plain Bushings		0150-5147
Stator	PS01-37x240-C	Linear motor stator, connector type C - IP67		0150-1224
	PS01-37x240F-C	Linear motor stator, connector type C - IP67	Fast Winding	0150-1225
	PS01-37x240-C20	Linear motor stator, 0.2m Cable, connector C - IP67		0150-1238
	PS01-37x240F-C20	Linear motor stator, 0.2m Cable, connector C - IP67	Fast Winding	0150-1239
	PS01-37x240	Linear motor stator, 1.5m Cable, connector P		0150-1203
Slider	PL01-19x500/420	High clearance slider B01-37x286/140		0150-1455

BM01-37x240/240		Bridge Module 37x240 with 240mm stroke ¹⁾		
Bridge Guide	B01-37x286/240	B01 for P01-37x240, 240mm stroke, Ball Bearings		0150-5145
	B01-37x286/240-GF	B01 for P01-37x240, 240mm stroke, Plain Bushings		0150-5148
Stator	PS01-37x240-C	Linear motor stator, connector type C - IP67		0150-1224
	PS01-37x240F-C	Linear motor stator, connector type C - IP67	Fast Winding	0150-1225
	PS01-37x240-C20	Linear motor stator, 0.2m Cable, connector C - IP67		0150-1238
	PS01-37x240F-C20	Linear motor stator, 0.2m Cable, connector C - IP67	Fast Winding	0150-1239
	PS01-37x240	Linear motor stator, 1.5m Cable, connector P		0150-1203
Slider	PL01-19x600/520	High clearance slider B01-37x286/240		0150-1456

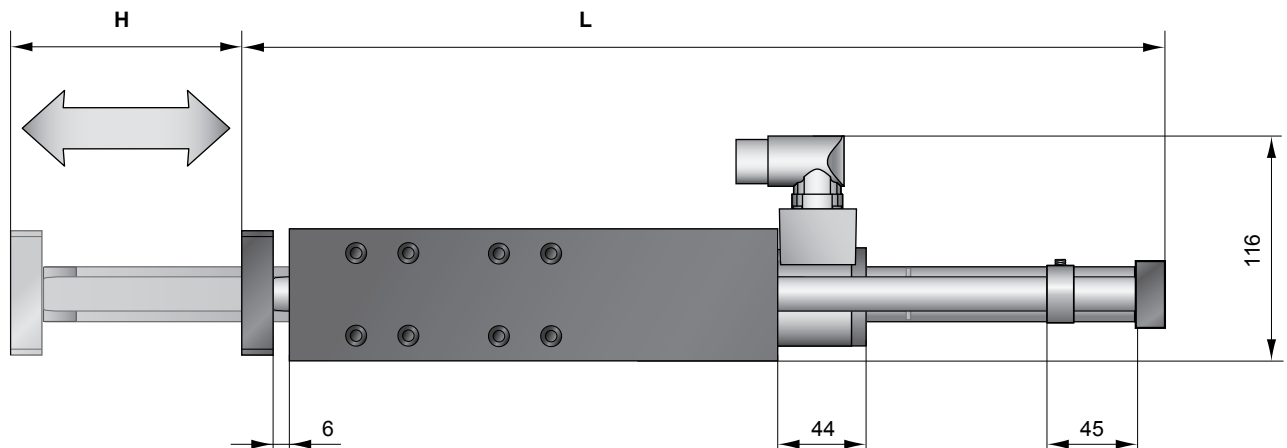
BM01-37x240/340		Bridge Module 37x240 with 340mm stroke ¹⁾		
Bridge Guide	B01-37x286/340	B01 for P01-37x240, 340mm stroke, Ball Bearings		0150-5146
	B01-37x286/340-GF	B01 for P01-37x240, 340mm stroke, Plain Bushings		0150-5149
Stator	PS01-37x240-C	Linear motor stator, connector type C - IP67		0150-1224
	PS01-37x240F-C	Linear motor stator, connector type C - IP67	Fast Winding	0150-1225
	PS01-37x240-C20	Linear motor stator, 0.2m Cable, connector C - IP67		0150-1238
	PS01-37x240F-C20	Linear motor stator, 0.2m Cable, connector C - IP67	Fast Winding	0150-1239
	PS01-37x240	Linear motor stator, 1.5m Cable, connector P		0150-1203
Slider	PL01-19x700/620	High clearance slider for B01-37x286/340		0150-1457

Accessories

Brake	HB01-37	Pneumatic Brake for B01-37 / 600N (4-6 Bar)		0150-5052
Fan	HV01-37/48	Fan for H01-37 und -48 Linear Guides		0150-5051
MagSpring	MF01-37/H37	Mounting flange for MagSpring M01-37x...		0250-2307
	MA01-37/H37	Mounting adapter for MagSpring M01-37x...		0250-0117
Center Sleeve	HC01-09/04	Center Sleeve D9x4mm		0150-3251
Wiper	HA01-37/19-F	Wiper for B01-37 guides, front side		0150-5177

¹⁾ The stroke is reduced by 18mm when using cable models

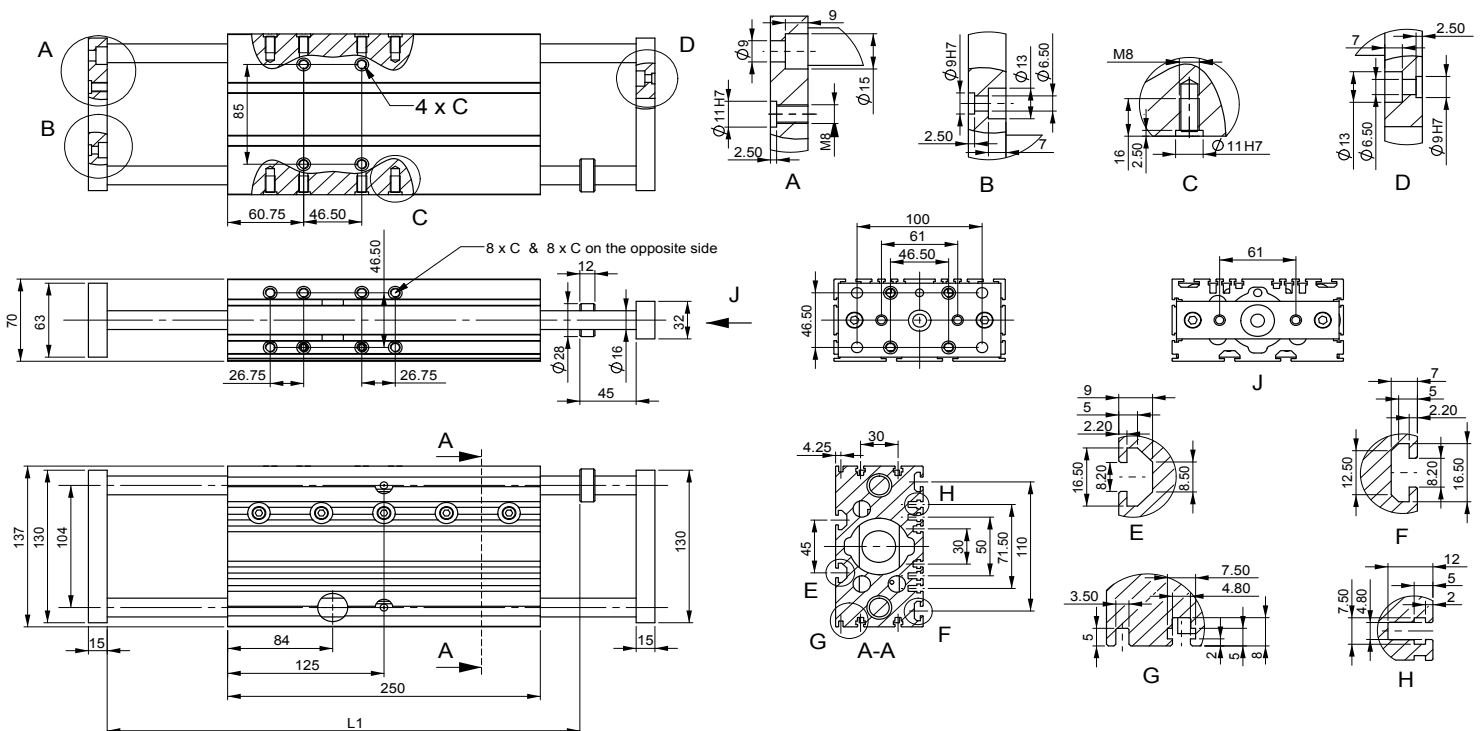
Bridge Module BM01-48x240



Bridge Module	Bearing	Stroke H [mm (inch)]	Moving Parts L [mm (inch)]	Moving Mass ¹⁾ [g (lb)]	Total Weight ¹⁾ [g (lb)]
BM01-48X240/90	Ball Bearings	90 (3.54)	423 (16.65)	3350 (7.39)	8900 (19.58)
BM01-48X240/180	Ball Bearings	180 (7.09)	513 (20.20)	4020 (8.86)	9600 (21.05)
BM01-48X240/300	Ball Bearings	300 (11.81)	633 (24.92)	4950 (10.82)	10500 (23.02)
BM01-48X240/390	Ball Bearings	390 (15.35)	723 (28.46)	5600 (12.32)	11200 (24.51)
BM01-48X240/90-GF	Plain Bushings	90 (3.54)	423 (16.65)	3350 (7.39)	8900 (19.58)
BM01-48X240/180-GF	Plain Bushings	180 (7.09)	513 (20.20)	4020 (8.86)	9600 (21.05)
BM01-48X240/300-GF	Plain Bushings	300 (11.81)	633 (24.92)	4950 (10.82)	10500 (23.02)
BM01-48X240/390-GF	Plain Bushings	390 (15.35)	723 (28.46)	5600 (12.32)	11200 (24.51)

¹⁾ bridge guide with linear motor

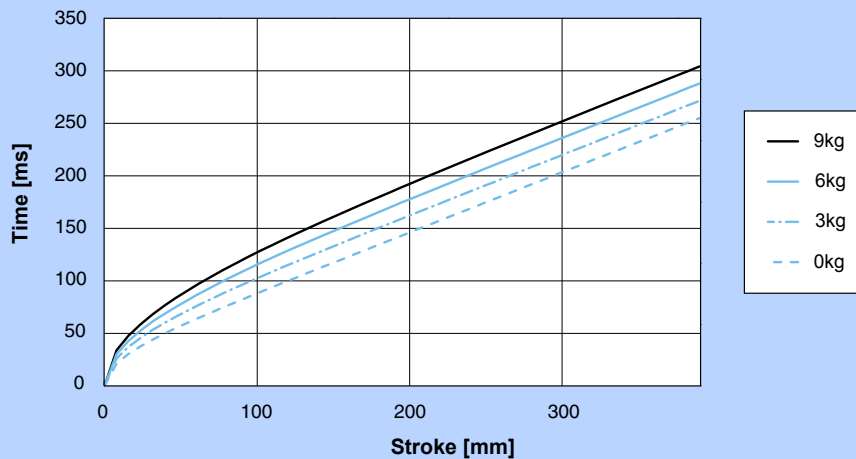
Bridge Guides B01-48x250



Dimensions in mm

Materials	Guide Block & Front Plate	Guide Shaft	Bearing	Wipers	
B01-48x250/...	Ball Bearings	Anodized Aluminum	Hardened Steel	Steel	Nitrile Rubber
B01-48x250/...-GF	Plain Bushings	Anodized Aluminum	Stainless Steel 1.4104	Sintered Bronze	Nitrile Rubber

Positioning Times with BM01-48x240



Minimum positioning times for horizontal motions with different load masses, controlled by an E1100-HC Servo Drive.

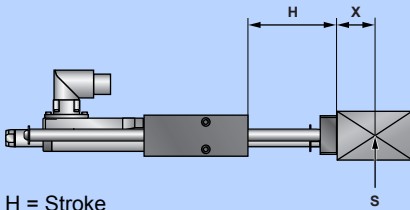
Ordering Information

BM01-48x240/90		Bridge Module 48x240 with 90mm stroke			
Bridge Guide	B01-48x250/90	B01 for P01-48x240, 90mm stroke, Ball Bearings		0150-5150	
	B01-48x250/90-GF	B01 for P01-48x240, 90mm stroke, Plain Bushings		0150-5154	
Stator	PS01-48x240-C	Linear motor stator, connector type C - IP67		0150-1219	
	PS01-48x240F-C	Linear motor stator, connector type C - IP67		Fast Winding 0150-1220	
Slider	PL01-27x410/330	High clearance slider for B01-48x250/90		0150-1468	
BM01-48x240/180		Bridge Module 48x240 with 180mm stroke			
Bridge Guide	B01-48x250/180	B01 for P01-48x240, 180mm stroke, Ball Bearings		0150-5151	
	B01-48x250/180-GF	B01 for P01-48x240, 180mm stroke, Plain Bushings		0150-5155	
Stator	PS01-48x240-C	Linear motor stator, connector type C - IP67		0150-1219	
	PS01-48x240F-C	Linear motor stator, connector type C - IP67		Fast Winding 0150-1220	
Slider	PL01-27x500/420	High clearance slider for B01-48x250/180		0150-1469	
BM01-48x240/300		Bridge Module 48x240 with 300mm stroke			
Bridge Guide	B01-48x250/300	B01 for P01-48x240, 300mm stroke, Ball Bearings		0150-5152	
	B01-48x250/300-GF	B01 for P01-48x240, 300mm stroke, Plain Bushings		0150-5156	
Stator	PS01-48x240-C	Linear motor stator, connector type C - IP67		0150-1219	
	PS01-48x240F-C	Linear motor stator, connector type C - IP67		Fast Winding 0150-1220	
Slider	PL01-27x620/540	High clearance slider for B01-48x250/300		0150-1470	
BM01-48x240/390		Bridge Module 48x240 with 390mm stroke			
Bridge Guide	B01-48x250/390	B01 for P01-48x240, 390mm stroke, Ball Bearings		0150-5153	
	B01-48x250/390-GF	B01 for P01-48x240, 390mm stroke, Plain Bushings		0150-5157	
Stator	PS01-48x240-C	Linear motor stator, connector type C - IP67		0150-1219	
	PS01-48x240F-C	Linear motor stator, connector type C - IP67		Fast Winding 0150-1220	
Slider	PL01-27x710/630	High clearance slider for B01-48x250/390		0150-1471	

Accessories

Brake	HB01-48	Pneumatic Brake for B01-48 / 1000N (4-6 Bar)	0150-5098
Fan	HV01-37/48	Fan for B01-37 and -48 bridge guides	0150-5051
MagSpring	MF01-37/H37	Mounting flange for MagSpring M01-37x...	0250-2307
	MA01-37/H48	Mounting adapter for MagSpring M01-37x...	0250-0118
Sliding Block	PFN01-8/M6	Sliding Block 8mm with M6 Thread	0150-3245
Center Sleeve	HC01-11/05	Center Sleeve D11x5mm	0150-3252
Wiper	HA01-48/27-F	Wiper for B01-48 guides, front side	0150-5178

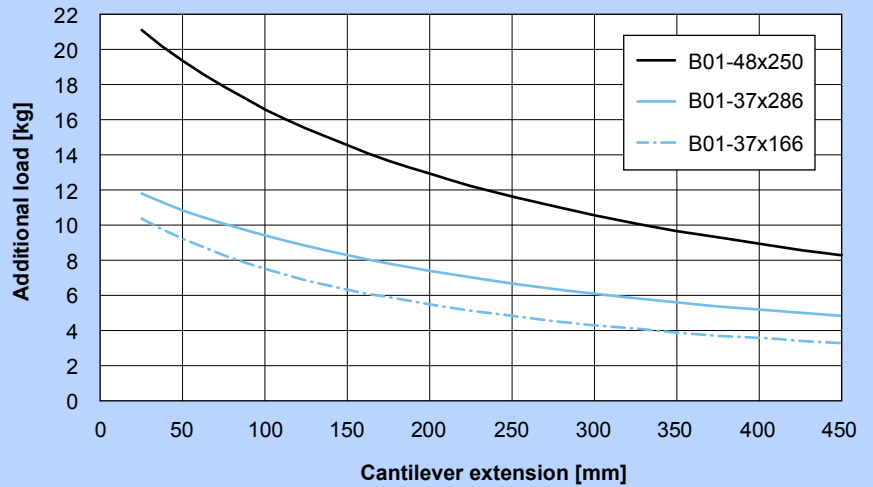
Maximum Load



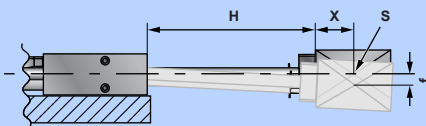
H = Stroke
 X = Distance to center of gravity
 S = Center of gravity

Cantilever extension = $H + X$

The maximum load depends on the cantilever extension (maximum stroke A plus distance between the center of gravity of the working load and the mounting surface).



Vertical Deflection

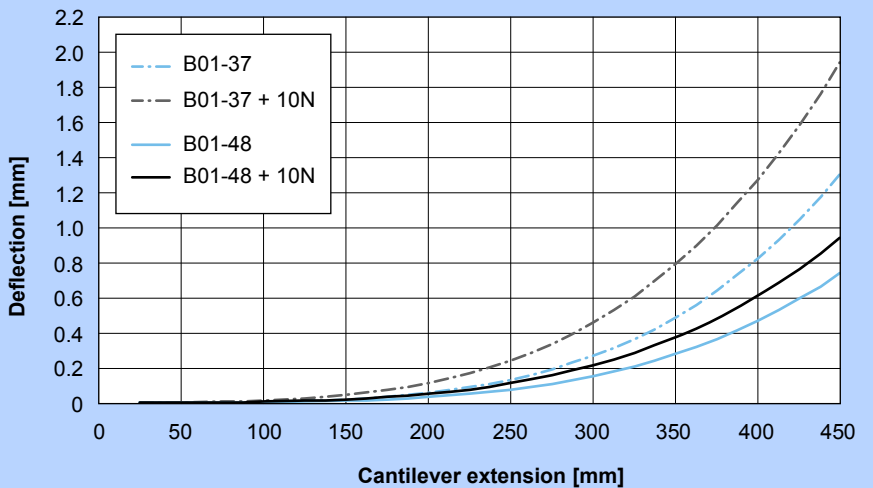


H = Stroke
 X = Distance to center of gravity
 f = Deflection of theoretical axis
 S = Center of gravity

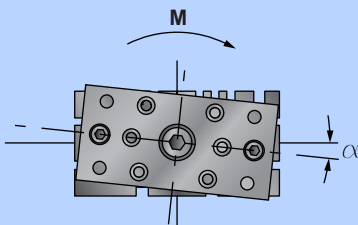
Total deflection = static deflection + deflection under load

Deflection measured at standstill, with 10 N / 2.25 lbf load.

Deflection for smaller or larger load masses can be linearly extrapolated using the data for 10 N / 2.25 lbf.

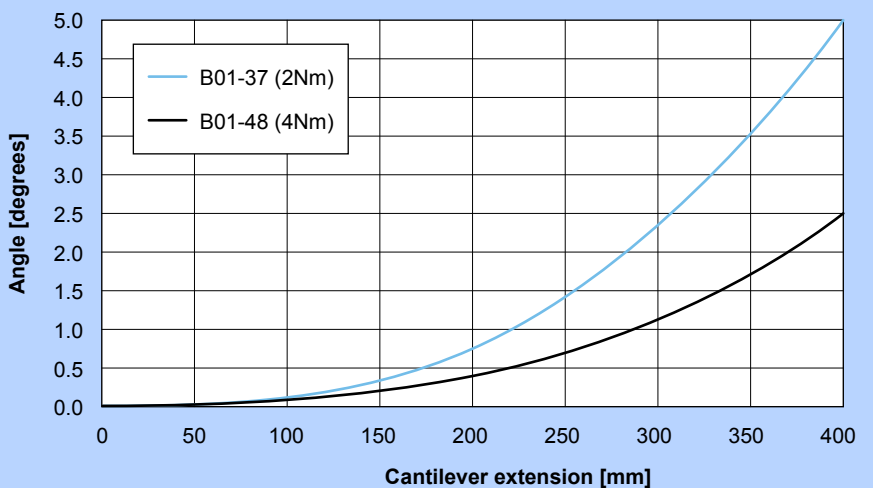


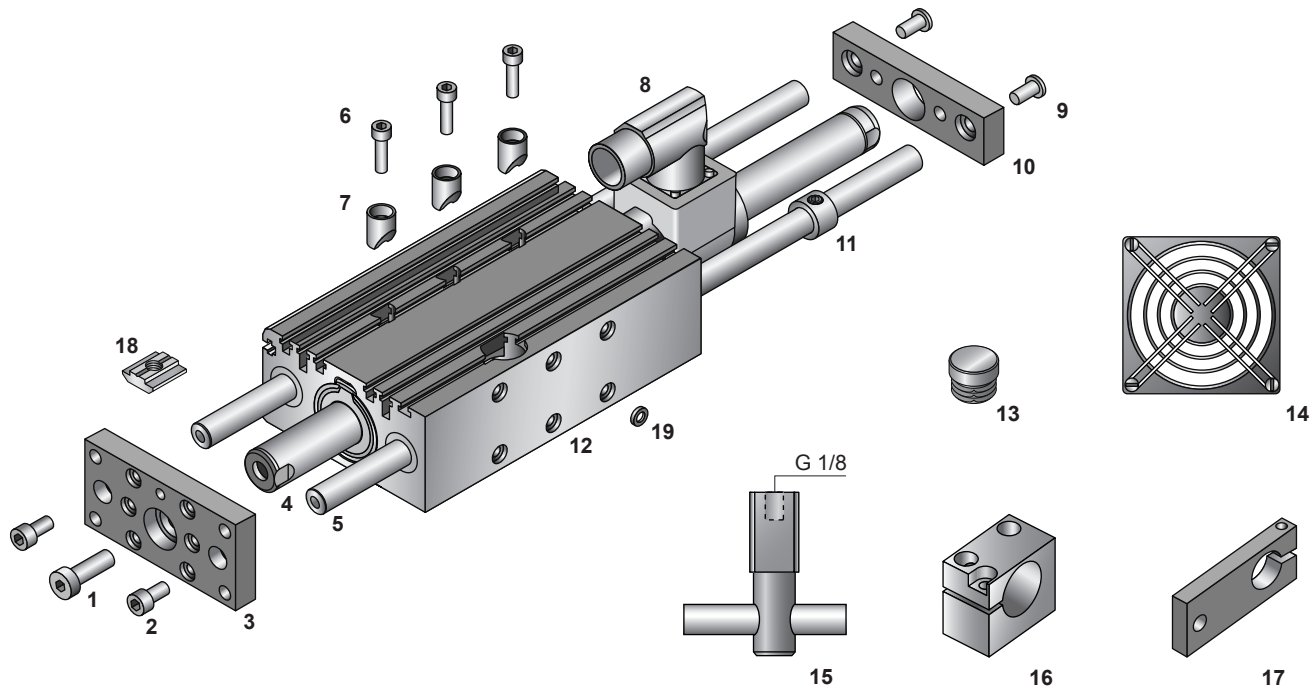
Angular Deflection



Angular deflection (twist) of the mounting plate depends on the torque load to be absorbed and the cantilever extension.

The angular deflection for smaller or larger torques can be linearly extrapolated from the deflection in the diagram.





Parts List				
	Bridge Guide	B01-37x166	B01-37x286	B01-48x250
1	Slider screw	ISO 4762 M5x18	DIN7984 M8x25	DIN7984 M10x35
2	Shaft screw	ISO 4762 M6x12	ISO 4762 M6x12	ISO 4762 M8x20
3	Front plate	BF01-37 0150-5112	BF01-37 0150-5112	BF01-48 0150-5110
4	Slider	PL01-19x...	PL01-19x...	PL01-27x...
5	Hardened steel shafts for ball bearings	HL01-12x390 HL01-12x490 HL01-12x590	HL01-12x490 HL01-12x590 HL01-12x690	HL01-16x397 HL01-16x487 HL01-16x607 HL01-16x697
	Stainless steel shafts for plain bushings GF	HL01-12x390-GF HL01-12x490-GF HL01-12x590-GF	HL01-12x490-GF HL01-12x590-GF HL01-12x690-GF	HL01-16x397-GF HL01-16x487-GF HL01-16x607-GF HL01-16x697-GF
6	Clamping screw	ISO 4762 M5x18	ISO 4762 M5x18	ISO 4762 M6x25
7	Clamping cylinder	HZ01-23/37 0150-5053	HZ01-23/37 0150-5053	HZ01-48 0150-5086
8	Stator	PS01-37x120...	PS01-37x240...	PS01-48x240...
9	Shaft screw	ISO 4762 M6x12	ISO 4762 M6x12	ISO 4762 M8x20
10	Front plate	BR01-37 0150-5113	BR01-37 0150-5113	BR01-48 0150-5111
11	Rear end stop			
12	Guide block with ball bearings	HS01-37x166 0150-5002	HS01-37x286 0150-5003	HS01-48x250 0150-5088
	Guide block with plain bushings GF	HS01-37x166-GF 0150-5062	HS01-37x286-GF 0150-5063	HS01-48x250-GF 0150-5089
13	Brake hole cap	HDPE 20mm	HDPE 20mm	HDPE 24mm
	Ball bearing	SKF LBBR12-LS	SKF LBBR12-LS	SKF LBBR12-LS
	Plain bushings GF	HGF01-37	HGF01-37	HGF01-48
Fan				
14	Set	HV01-37/48 0150-5051	HV01-37/48 0150-5051	HV01-37/48 0150-5051
Brake				
15	Pneumatic brake	HB01-37 0150-5052	HB01-37 0150-5052	HB01-48 0150-5098
Magspring				
16	Flange	MF01-37/H37 0250-2307	MF01-37/H37 0250-2307	MF01-37/H37 0250-2307
17	Adapter	MA01-37/H37 0250-0117	MA01-37/H37 0250-0117	MA01-37/H48 0250-0118
Accessories				
18	Sliding Block	-	-	PFN01-8/M6 0150-3245
19	Center Sleeve	HC01-09/04 0150-3251	HC01-09/04 0150-3251	HC01-11/05 0150-3252
20	Wiper	HA01-37/19-F 0150-5177	HA01-37/19-F 0150-5177	HA01-48/27-F 0150-5178