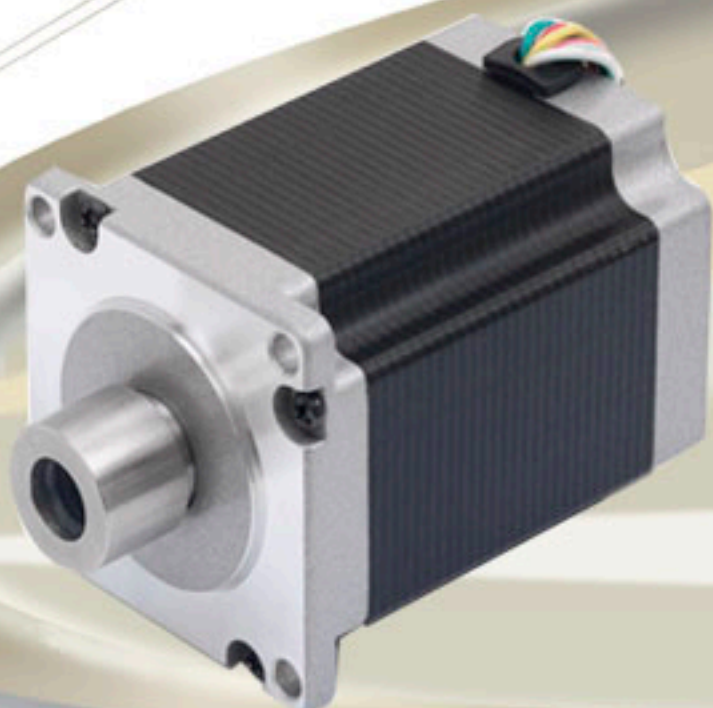


entraînement

PAS A PAS à ARBRE CREUX

m o t i o n
la force de la gamme !



transtechnik
servomécanismes

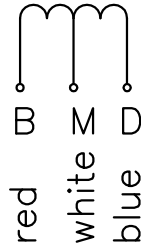
HIGH TORQUE HYBRID STEPPING MOTOR SPECIFICATIONS

General specifications		Electrical specifications	
Step Angle	1.8Deg±5%	Rated Voltage	4.4V
Number of phase	4	Rate Current	0.95A
Insulation resistance	100Mohm Min.(500V DC)	Resistance per phase	4.6±10%ohm
Insulation class	Class B	Inductance per phase	1.8±20%mh
Rotor inertia	18g.cm ²	Holding torque	900g.cm
Weight	0.2kg	Detent torque	g.cm

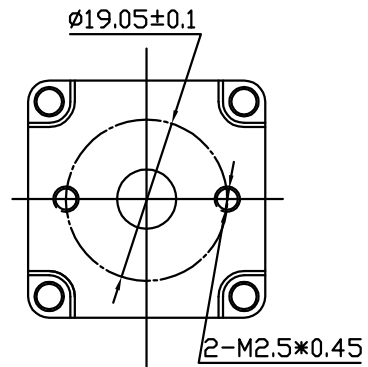
Wiring Diagram

See from rear shaft

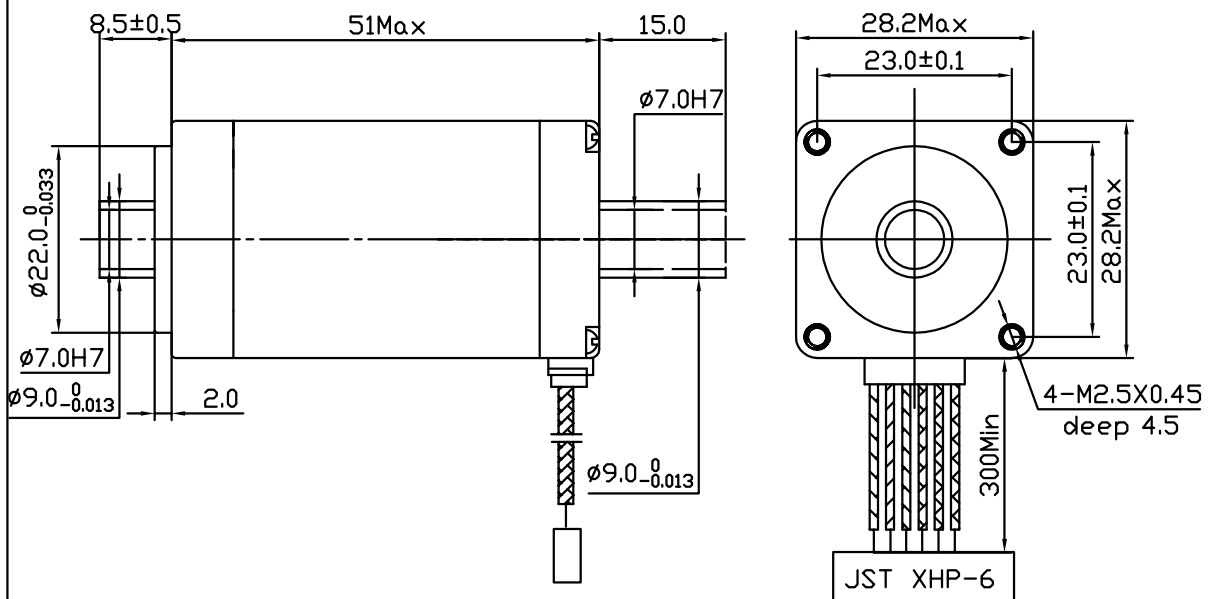
black A
yellow O
green C



PIN#	LEADERS
1	BLACK
2	RED
3	GREEN
4	BLUE
5	YELLOW
6	WHITE



Dimension:

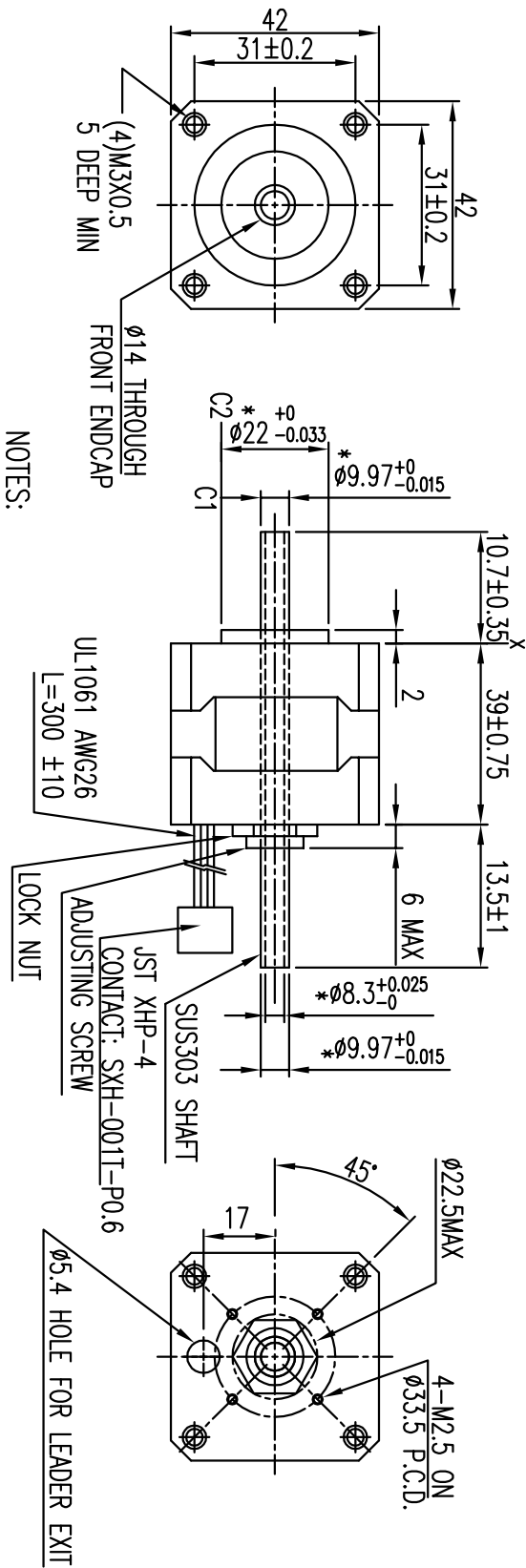


REV	QTY	NO.	SIG.	DT.
DESIGN				
CHECK				
APPROVE				

TITLE:
ST2818L1006-LA
SPECIFICATION

Nanotec

DIMENSION (UNIT : mm)



NOTES:

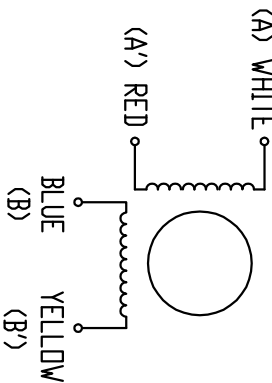
1. C1 DIAMETER RUNOUT TO BE 0.05 mm MAX.
2. C2 CONCENTRIC TO C1 W/IN 0.05 mm TIR.
3. X SURFACE PERPENDICULAR TO C1 W/IN 0.127 mm.
4. END CAPS TO BE BLACK PAINTED.
5. END PLAY : 0.1 MAX. WITH 9.0kg LOAD.
6. TORQUE ADJUSTING SCREW TO 1.44 kg-cm (REF) TO MEET NOTE 5.
7. TORQUE LOCKNUT TO 10.8~14.4 kg-cm.
8. * MEANS IMPORTANT ITEM.

SPECIFICATION	
RATED VOLTAGE (VM)DC	1.7
AMPS/PHASE	1.4
RESISTANCE /PHASE Rm (Ohms) @25°C	1.21 ±10%
INDUCTANCE/PHASE.mH @1KHz	2.1 ±20%
STEP ANGLE (DEG)	1.8
STEP ACCURACY (NON-ACCUM)	±5%
HOLDING TORQUE (g-cm) @1.4A/Ø.2Ø-Ex.	2.1
ROTOR INERTIA (g-cm ²)	54
WEIGHT (g)	250
INSULATION CLASS	B
INSULATION RESISTANCE	100M ohm @500VDC
DIELECTRIC STRENGTH	500VAC FOR ONE MINUTE
AMBIENTTEMPERATURE	-10°C ~ +50°C

FULL STEP 2 PHASE-Ex.,
WHEN FACING MOUNTING END (X)

STEP	A	B	A'	B'	CCW
1	+	+	-	-	↑
2	-	-	+	+	↓
3	-	-	+	+	↑
4	+	+	-	-	↓

* WIRING DIAGRAM



STEPPING MOTOR

REV	DESCRIPTION	mm-dd-'yy	APVD	SCALE FREE	APVD	DWG.NO	DATE
				X	±0.5 CHKD	ST4218M1404-LC-NEU_Z01	14.12.04
				1PL	±0.2 DRN		
				2PL	±0.1 SIGNATURE		
				ANGLE	±30°		

NANOTECH : ST4218M1404-LC-NEU

A

B

C

D

E

F

6

5

4

3

2

1

3

2

1

A

B

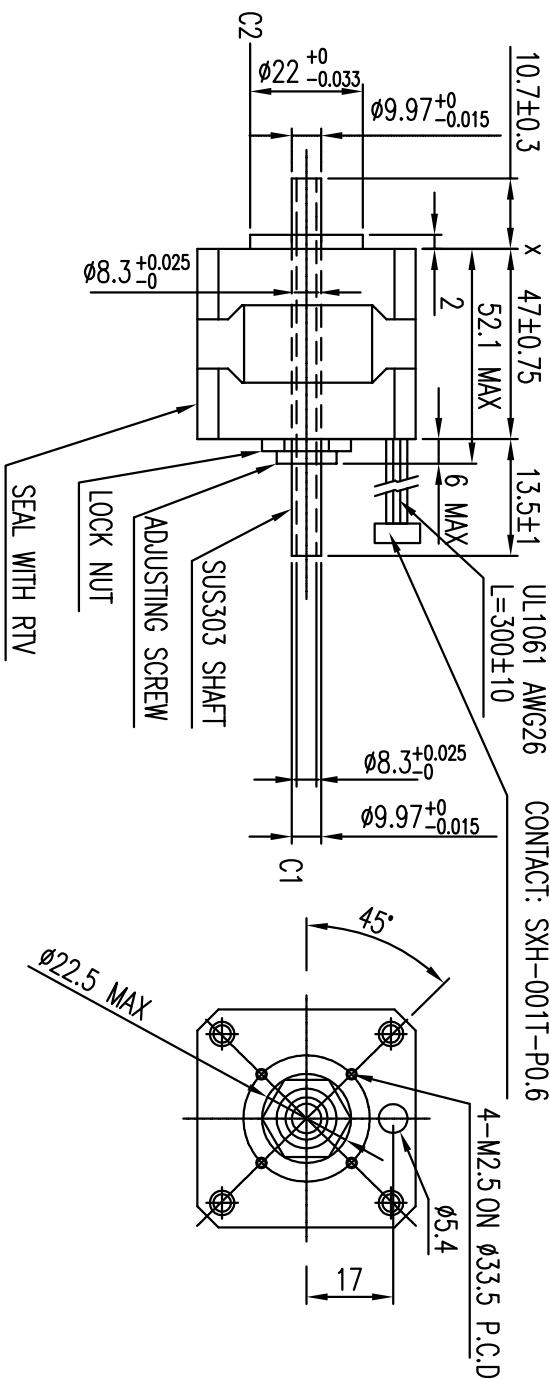
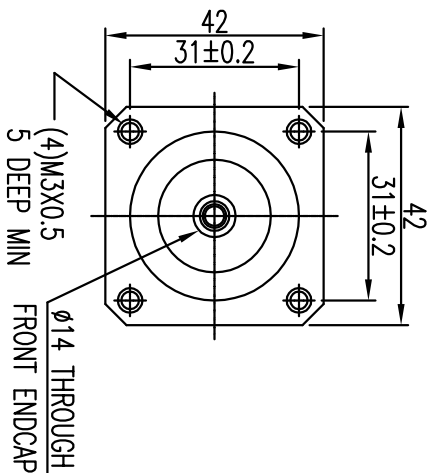
C

D

E

F

DIMENSION (UNIT : mm)



JST XHP-6
CONTACT: SXH-001T-P0.6

NOTES:

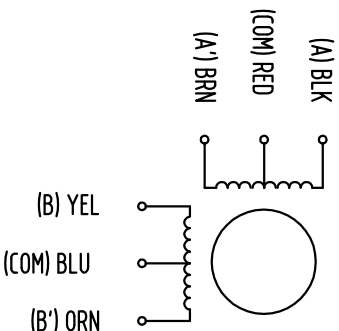
1. C1 DIAMETER RUNOUT TO BE 0.05 mm MAX.
2. C2 CONCENTRIC TO C1 W/IN 0.05 mm TIR.
3. X SURFACE PERPENDICULAR TO C1 W/IN 0.127 mm.
4. END CAPS TO BE BLACK PAINTED.
5. END PLAY : 0.1 MAX. WITH 9.0kg LOAD.
6. TORQUE ADJUSTING SCREW TO 1.44 kg-cm (REF) TO MEET NOTE 5.
7. TORQUE LOCKNUT TO 10.8~14.4 kg-cm.

FULL STEP 2 PHASE-Ex.,

WHEN FACING MOUNTING END (X)

STEP	A	B	A'	B'	COM	CCW
1	+	+	-	-		↺
2	-	+	+	-	+DCV	↻
3	-	-	+	+		
4	+	-	-	+		

WIRING DIAGRAM



SPECIFICATION

RATED VOLTAGE (VM)DC	3.4
AMPS/PHASE	1.8
RESISTANCE /PHASE Rm (Ohms) @25°C	1.9 ±10%
INDUCTANCE/PHASE.mH @1KHz	1.65 ±20%
STEP ANGLE (DEG)	1.8
STEP ACCURACY (NON-ACCUM)	±5%
HOLDING TORQUE (g-cm) @1.8A/φ2.0-Ex.	3000
ROTOR INERTIA (g-cm ²)	68
WEIGHT (g)	280
INSULATION CLASS	B
INSULATION RESISTANCE	100M ohm @500VDC
DIELECTRIC STRENGTH	500VAC FOR ONE MINUTE
AMBIENTTEMPERATURE	-10°C ~ +50°C

NANOTEC : ST4218L1806-LC-NEU

SCALE FREE

APVD

STEPPING MOTOR

REV	DESCRIPTION	mm-dd-yy	APVD
-----	-------------	----------	------

X	±0.5	CHKD	
1PL	±0.2	DRN	
2PL	±0.1	SIGNATURE	
ANGLE	±30'	DATE	

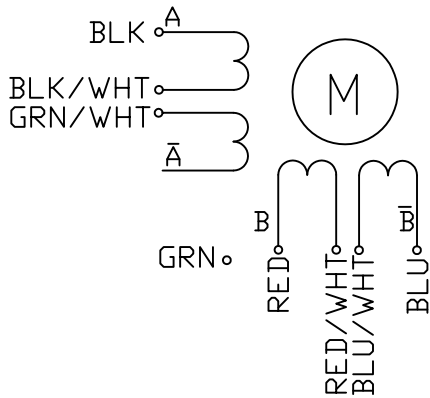
DWG.NO
ST4218L1806-LC-NEU_Z01

ST5918S3008-L HYBRID STEPPING MOTOR

specifications:

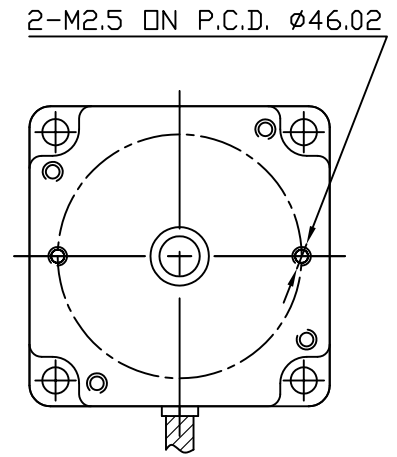
PHASE	STEP ANGLE DEG/STEP		RATED VOLTAGE	CURRENT /PHASE	RESISTANCE /PHASE	INDUCTANCE /PHASE	HOLDING TORQUE	ROTOR INERTIA	WEIGHT
			V	A	ohms	mH	N.cm	gcm ²	Kg
4	1.8	Unipolar	2.16	3.0	0.72	1.1	65	275	0.65

Wiring Diagram:

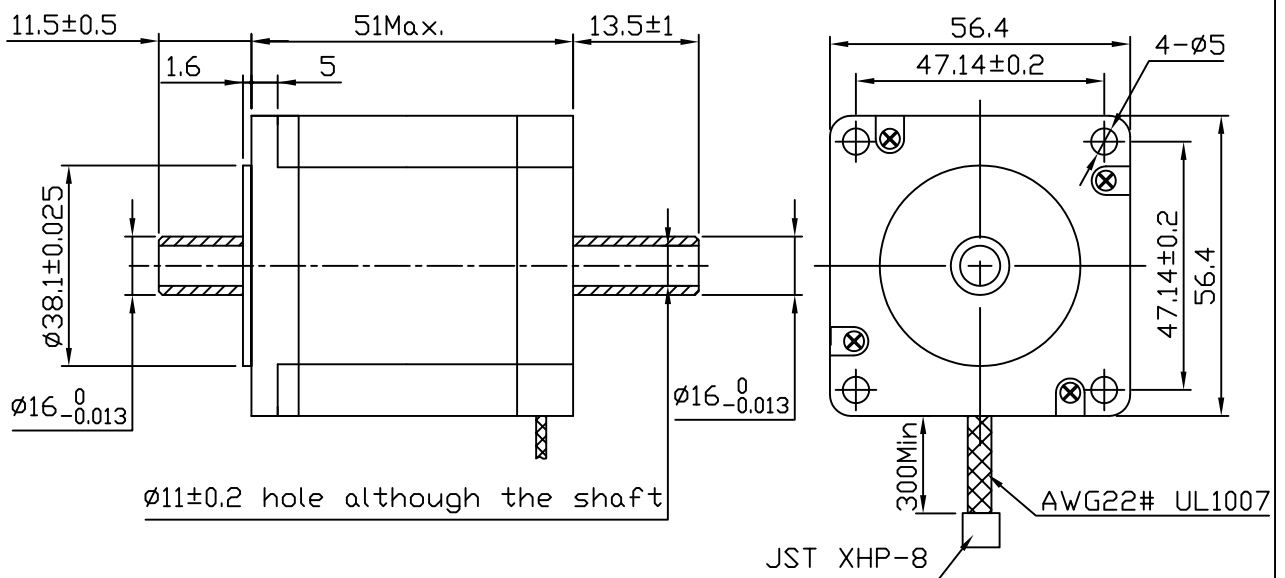


PIN#	LEADERS
1	BLK
2	GRN/WHT
3	BLK/WHT
4	GRN
5	RED
6	BLU/WHT
7	RED/WHT
8	BLU

SEE FROM REAR SHAFT END



Dimension:



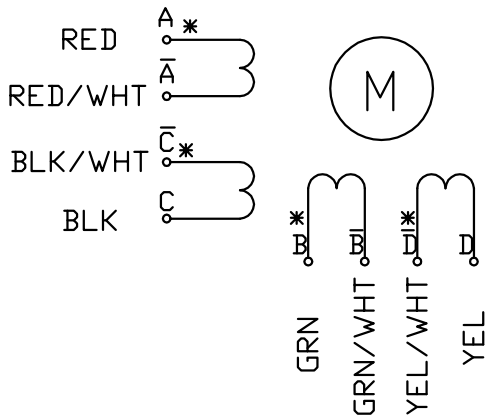
REV.	QTY.	NO.	SIG.	surfacetreat			
DESIGN				NANOTEC.	CLS.MAK	WEIGHT	SCALE
CHECK				ST5918S3008-L			
PROC.							
DT.	12.09.2006			MATERIAL:	PAGE:	OF	PAGES
STD.							
APPROVE					ST5918S3008-L		

ST5918L3008-LA1 HYBRID STEPPING MOTOR

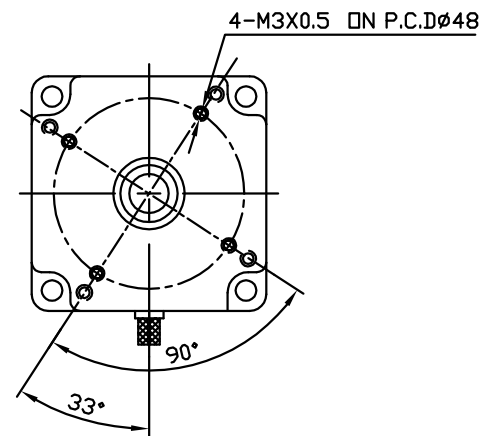
specifications:

MODEL	PHASE	STEP ANGLE	RATED VOLTAGE	CURRENT /PHASE	RESISTANCE /PHASE	INDUCTANCE /PHASE	HOLDING TORQUE	DETENT TORQUE	ROTOR INERTIA	WEIGHT
		DEG/STEP	V	A	ohms	mH	kg.cm	N.cm	g.cm ²	Kg
	unipolar	1.8	3.0	3	1.0	2.2	14	6.8	480	1.0
	series		4.2	2.1	2.0	8.8	19.6			
	parallel		2.1	4.2	0.5	2.2	19.6			

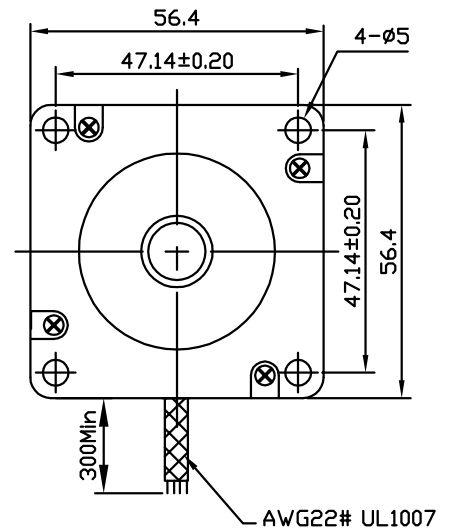
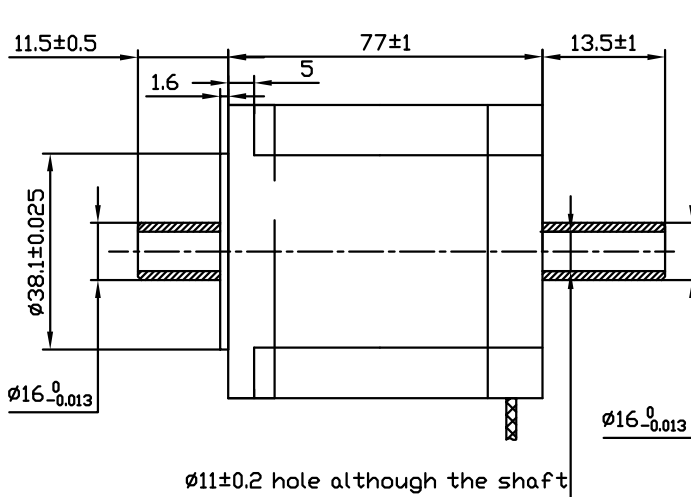
Wiring Diagram:



SEE FROM REAR SHAFT END



Dimension:



1 Motorlänge geändert am 10.08.2005.

REV	QTY.	NO.	SIG.	surfacetreat	CLS.MAK	WEIGHT	SCALE
DESIGN				NANOTEC.			
CHECK				ST5918L3008-LA1			
PROC.							
DT.	10.08.2005			MATERIAL:	PAGE:	OF	PAGES
STD.							
APPROVE					ST5918L3008-LA1_Z02		



■ ***Siège social &
service technique :***

Z.A Ahuy-Suzon
17 rue des grandes Varennes
B.P 46 - 21121 AHUY
Tél : 03 80 55 00 00
fax : 03 80 53 93 63

infos@transtechnik.fr

www.transtechnik.fr

■ ***Bureau Paris :***

12 avenue des Andes
Bâtiment A
91967 COURTABOEUF Cedex
Tél: 03 80 55 00 00
Fax: 03 80 53 93 63

■ ***Bureau Lyon :***

Espace Florentin
71 chemin du moulin Carron
69570 DARDILLY
Tél: 03 80 55 00 00
Fax: 03 80 53 93 63