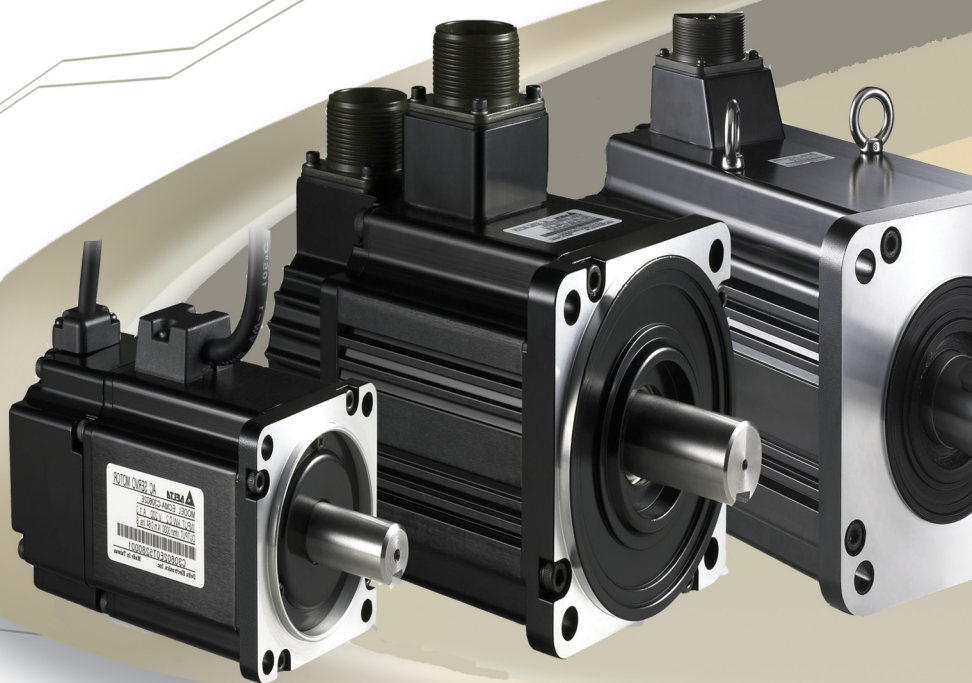


entraînement  
**SERVOMOTEURS**  
SERIES ECMA

**m o t i o n**  
*la force de la gamme !*



**transtechnik**  
servomécanismes

# AC Servo System

## Specifications of Servo Motor



### (ECMA) Low Inertia Servo Motor Specifications

Model: ECMA Series	C304		C306		C308		C310	
	01	02	04	04	07	10	20	
Rated output power (kW)	0.1	0.2	0.4	0.4	0.75	1.0	2.0	
Rated torque (N-m)	0.32	0.64	1.27	1.27	2.39	3.18	6.37	
Maximum torque (N-m)	0.96	1.92	3.82	3.82	7.16	9.54	19.11	
Rated speed (r/min)	3000							
Maximum speed (r/min)	5000							
Rated current (A)	0.9	1.55	2.6	2.6	5.1	7.3	12.05	
Maximum current (A)	2.7	4.65	7.8	7.8	15.3	21.9	36.15	
Power rating (kW/s) (without brake)	27.7	22.4	57.6	24.0	50.4	38.1	90.6	
Rotor moment of inertia (kg.m <sup>2</sup> ) (without brake)	0.037E-4	0.177E-4	0.277E-4	0.68E-4	1.13E-4	2.65E-4	4.45E-4	
Mechanical time constant (ms) (without brake)	0.75	0.80	0.53	0.74	0.63	0.74	0.61	
Torque constant-KT (N-m/A)	0.36	0.41	0.49	0.49	0.47	0.44	0.53	
Voltage constant-KE (mV/(r/min))	13.6	16	17.4	18.5	17.2	16.8	19.2	
Armature resistance (Ohm)	9.3	2.79	1.55	0.93	0.42	0.20	0.13	
Armature inductance (mH)	24	12.07	6.71	7.39	3.53	1.81	1.50	
Electrical time constant (ms)	2.58	4.3	4.3	7.96	8.37	9.3	11.4	
Insulation class	Class A (UL), Class B (CE)							
Insulation resistance	100MΩ, DC 500V							
Insulation strength	AC 1500 V, 60 seconds							
Weight (kg) (without brake)	0.5	1.2	1.6	2.1	3.0	4.3	6.2	
Weight (kg) (with brake)	-	1.5	2.0	2.9	3.8	4.7	7.2	
Max. radial shaft load (N)	78.4	196	196	245	245	490	490	
Max. thrust shaft load (N)	39.2	68	68	98	98	98	98	
Power rating (kW/s) (with brake)	-	21.3	53.8	22.1	48.4	30.4	82	
Rotor moment of inertia (Kg.m <sup>2</sup> ) (with brake)	-	0.192E-4	0.30E-4	0.73E-4	1.18E-4	3.33E-4	4.953E-4	
Mechanical time constant (ms) (with brake)	-	0.85	0.57	0.78	0.65	0.93	0.66	
Brake holding torque [Nt-m (min)]	-	1.3	1.3	2.5	2.5	12	12	
Brake power consumption (at 20°C) [W]	-	7.2	7.2	8.5	8.5	19.4	19.4	
Brake release time [ms (Max)]	-	10	10	10	10	10	10	
Brake pull-in time [ms (Max)]	-	70	70	70	70	70	70	
Vibration grade (um)	15							
Operating temperature	0°C to 40°C (32°F to 104°F)							
Storage temperature	-10°C to 80°C (-14°F to 176°F)							
Operating humidity	20% to 90% RH (non-condensing)							
Storage humidity	20% to 90% RH (non-condensing)							
Vibration capacity	2.5G							
IP rating	IP65 (when waterproof connectors are used, or when an oil seal is used to be fitted to the rotating shaft (an oil seal model is used))							
Approvals								

### (ECMA) Medium / High Inertia Servo Motor Specifications

Model: ECMA Series	E313				E318	G313		
	05	10	15	20	20	03	06	09
Rated output power (kW)	0.5	1.0	1.5	2.0	2.0	0.3	0.6	0.9
Rated torque (N-m)	2.39	4.77	7.16	9.55	9.55	2.86	5.73	8.59
Maximum torque (N-m)	7.16	14.3	21.48	28.65	28.65	8.59	17.19	21.48
Rated speed (r/min)	2000				1000			
Maximum speed (r/min)	3000				2000			
Rated current (A)	2.9	5.6	8.3	11.01	11.22	2.5	4.8	7.5
Maximum current (A)	8.7	16.8	24.9	33.03	33.66	7.5	14.4	22.5
Power rating (kW/s) (without brake)	7.0	27.1	45.9	62.5	26.3	10.0	39.0	66.0
Rotor moment of inertia (kg.m <sup>2</sup> ) (without brake)	8.17E-4	8.41E-4	11.18E-4	14.59E-4	34.68E-4	8.17E-4	8.41E-4	11.18E-4
Mechanical time constant (ms) (without brake)	1.91	1.51	1.10	0.96	1.62	1.84	1.40	1.06
Torque constant-KT (N-m/A)	0.83	0.85	0.87	0.87	0.85	1.15	1.19	1.15
Voltage constant-KE (mV/(r/min))	30.9	31.9	31.8	31.8	31.4	42.5	43.8	41.6
Armature resistance (Ohm)	0.57	0.47	0.26	0.174	0.119	1.06	0.82	0.43
Armature inductance (mH)	7.39	5.99	4.01	2.76	2.84	14.29	11.12	6.97
Electrical time constant (ms)	12.96	12.88	15.31	15.86	23.87	13.55	13.50	16.06
Insulation class	Class A (UL), Class B (CE)							
Insulation resistance	100MΩ, DC 500V							
Insulation strength	AC 1500 V, 60 seconds							
Weight (kg) (without brake)	6.8	7	7.5	7.8	13.5	6.8	7	7.5
Weight (kg) (with brake)	8.2	8.4	8.9	9.2	17.5	8.2	8.4	8.9
Max. radial shaft load (N)	490	490	490	490	1176	490	490	490
Max. thrust shaft load (N)	98	98	98	98	490	98	98	98
Power rating (kW/s) (with brake)	6.4	24.9	43.1	59.7	24.1	9.2	35.9	62.1
Rotor moment of inertia (Kg.m <sup>2</sup> ) (with brake)	8.94E-4	9.14E-4	11.90E-4	15.88E-4	37.86E-4	8.94E-4	9.14E-4	11.9E-4
Mechanical time constant (ms) (with brake)	2.07	1.64	1.19	1.05	1.77	2.0	1.51	1.13
Brake holding torque [Nt-m (min)]	16.5	16.5	16.5	16.5	25	16.5	16.5	16.5
Brake power consumption (at 20°C) [W]	21.0	21.0	21.0	21.0	31.1	21.0	21.0	21.0
Brake release time [ms (Max)]	5.0	5.0	5.0	5.0	5.0	5.0	5.0	5.0
Brake pull-in time [ms (Max)]	25.0	25.0	25.0	25.0	25.0	25.0	25.0	25.0
Vibration grade (um)	15							
Operating temperature	0°C to 40°C (32°F to 104°F)							
Storage temperature	-10°C to 80°C (-14°F to 176°F)							
Operating humidity	20% to 90% RH (non-condensing)							
Storage humidity	20% to 90% RH (non-condensing)							
Vibration capacity	2.5G							
IP rating	IP65 (when waterproof connectors are used, or when an oil seal is used to be fitted to the rotating shaft (an oil seal model is used))							
Approvals								

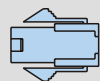
# AC Servo System

# ASDA-AB

## Accessories

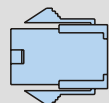
### (ECMA Series) Power Connector

ASDBCAPW0000



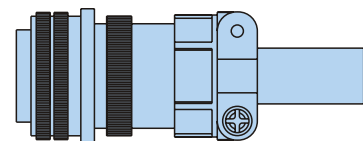
Title	Part No.	Manufacturer
Housing	C4201H00-2*2PA	JOWLE
Terminal	C4201TOP-2	JOWLE

ASDBCAPW0100



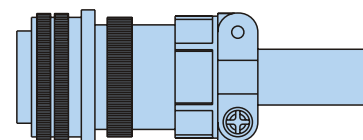
Title	Part No.	Manufacturer
Housing	C4201H00-2*3PA	JOWLE
Terminal	C4201TOP-2	JOWLE

ASD-CAPW1000



MS 3106A-20-18S

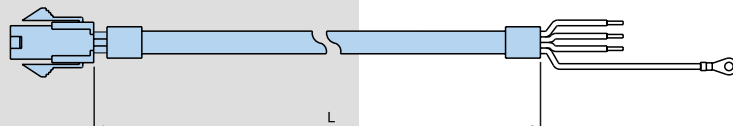
ASD-CAPW2000



MS 3106A-24-11S

### (ECMA Series) Power Cable

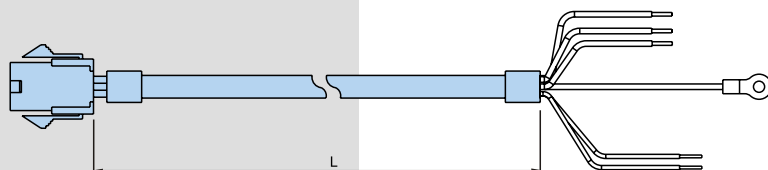
ASD-ABPW0003/0005



Title	Part No.	Manufacturer
Housing	C4201H00-2*2PA	JOWLE
Terminal	C4201TOP-2	JOWLE

Item	Part No.	Straight	
		mm	inc
1	ASD-ABPW0003	3000 ± 100	118 ± 4
2	ASD-ABPW0005	5000 ± 100	197 ± 4

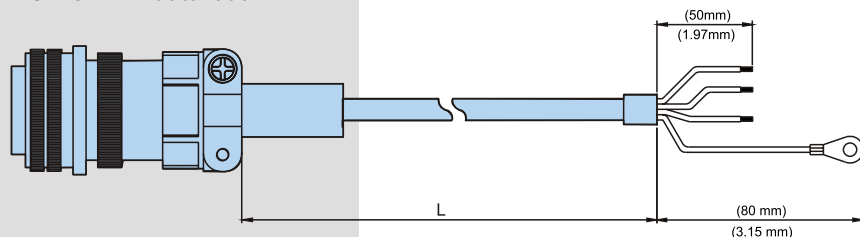
ASD-ABPW0103/0105



Title	Part No.	Manufacturer
Housing	C4201H00-2*3PA	JOWLE
Terminal	C4201TOP-2	JOWLE

Item	Part No.	Straight	
		mm	inc
1	ASD-ABPW0103	3000 ± 100	118 ± 4
2	ASD-ABPW0105	5000 ± 100	197 ± 4

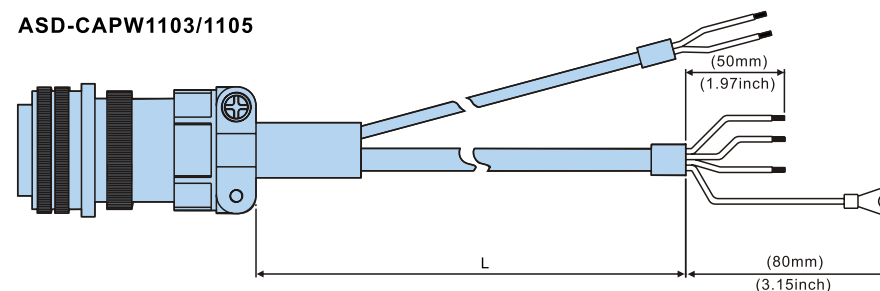
ASD-CAPW1003/1005



Item	Part No.	Straight	L	
			mm	inc
1	ASD-CAPW1003	3106A-20-18S	3000 ± 100	118 ± 4
2	ASD-CAPW1005	3106A-20-18S	5000 ± 100	197 ± 4

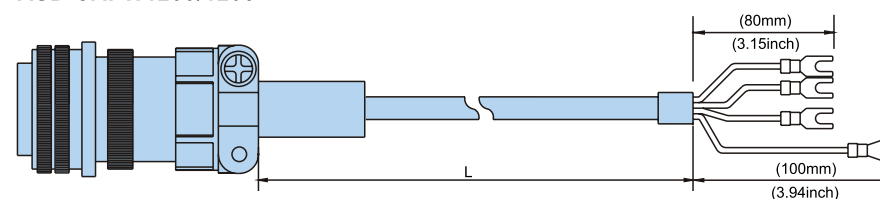
### (ECMA Series) Power Cable

ASD-CAPW1103/1105



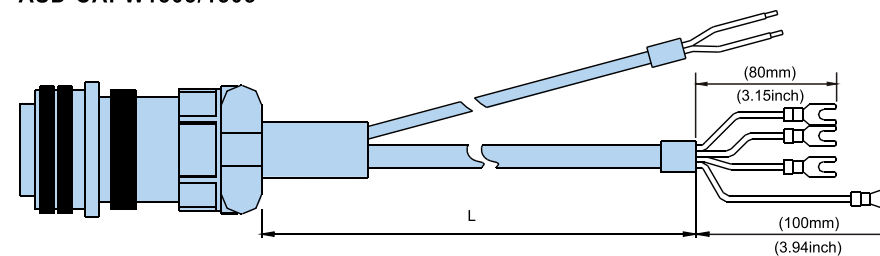
Item	Part No.	Straight	L	
			mm	inc
1	ASD-CAPW1103	3106A-20-18S	3000 ± 100	118 ± 4
2	ASD-CAPW1105	3106A-20-18S	5000 ± 100	197 ± 4

ASD-CAPW1203/1205



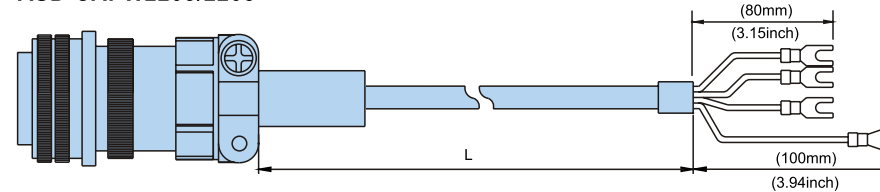
Item	Part No.	Straight	L	
			mm	inc
1	ASD-CAPW1203	3106A-20-18S	3000 ± 100	118 ± 4
2	ASD-CAPW1205	3106A-20-18S	5000 ± 100	197 ± 4

ASD-CAPW1303/1305



Item	Part No.	Straight	L	
			mm	inc
1	ASD-CAPW1303	3106A-20-18S	3000 ± 100	118 ± 4
2	ASD-CAPW1305	3106A-20-18S	5000 ± 100	197 ± 4

ASD-CAPW2203/2205



Item	Part No.	Straight	L	
			mm	inc
1	ASD-CAPW2203	3106A-24-11S	3000 ± 100	118 ± 4
2	ASD-CAPW2205	3106A-24-11S	5000 ± 100	197 ± 4

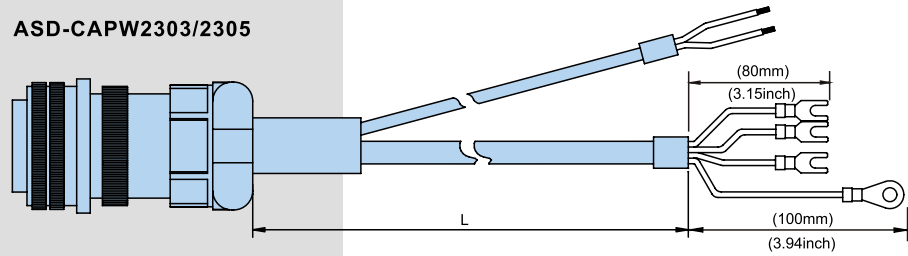
# AC Servo System

# ASDA-AB

## Accessories

### (ECMA Series) Power Cable

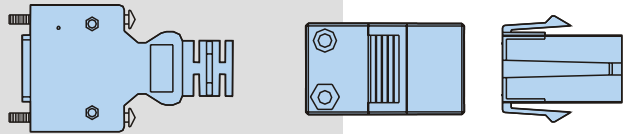
ASD-CAPW2303/2305



Item	Part No.	Straight	L	
			mm	inc
1	ASD-CAPW2303	3106A-24-11S	3000 ± 100	118 ± 4
2	ASD-CAPW2305	3106A-24-11S	5000 ± 100	197 ± 4

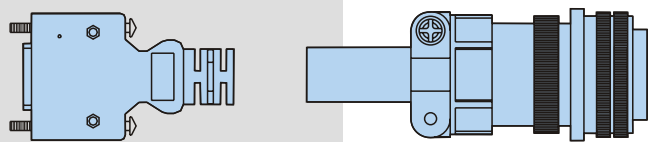
### (ECMA Series) Encoder Connector

ASD-ABEN0000



Title		Part No.	Manufacturer
MOTOR SIDE	Housing	AMP(1-172161-9)	AMP
	Terminal	AMP(170359-3)	AMP
	CLAMP	DELTA(34703237XX)	DELTA
DRIVE SIDE	PLUG	3M 10120-3000PE	3M
	SHELL	3M 10320-52A0-008	3M

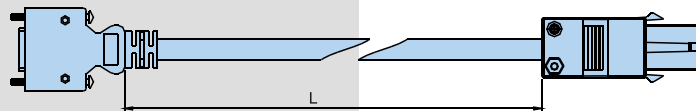
ASD-CAEN1000



Title		Part No.	Manufacturer
MOTOR SIDE		3106A-20-29S	-----
DRIVE SIDE	PLUG	3M 10120-3000PE	3M
	SHELL	3M 10320-52A0-008	3M

### (ECMA Series) Encoder Cable

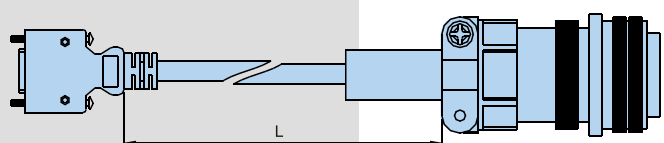
ASD-ABEN0003/0005



Title		Part No.	Manufacturer
MOTOR SIDE	Housing	AMP(1-172161-9)	AMP
	Terminal	AMP(170359-3)	AMP
	CLAMP	DELTA(34703237XX)	DELTA
DRIVE SIDE	PLUG	3M 10120-3000PE	3M
	SHELL	3M 10320-52A0-008	3M

Item	Part No.	Straight	L	
			mm	inc
1	ASD-ABEN0003	3000 ± 100	118 ± 4	
2	ASD-ABEN0005	5000 ± 100	197 ± 4	

ASD-CAEN1003/1005

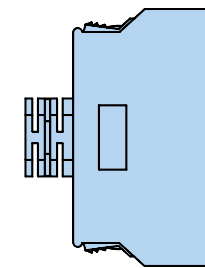


Title		Part No.	Manufacturer
MOTOR SIDE		3106A-20-29S	-----
DRIVE SIDE	PLUG	3M 10120-3000PE	3M
	SHELL	3M 10320-52A0-008	3M

Item	Part No.	Straight	L	
			mm	inc
1	ASD-CAEN1003	3106A-20-29S	3000 ± 100	118 ± 4
2	ASD-CAEN1005	3106A-20-29S	5000 ± 100	197 ± 4

### (ECMA Series) I/O Signal Connector

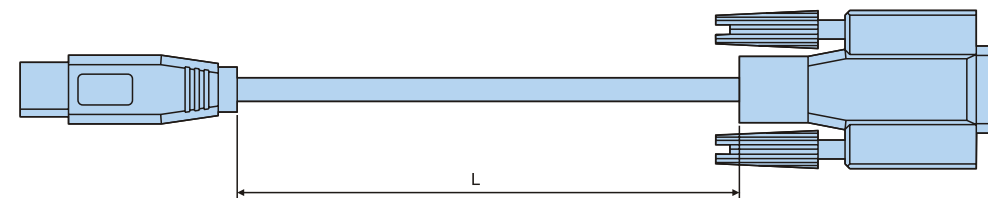
ASD-CN5C0050



Vendor Name	Vendor P/N
3M TAIWAN LTD	10150-3000PE
3M TAIWAN LTD	10350-52A0-008

### (ECMA Series) Communication Cable (for PC)

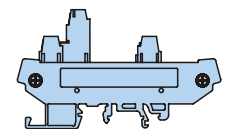
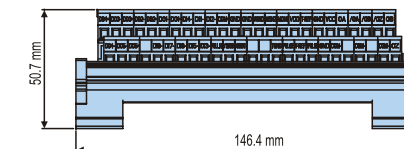
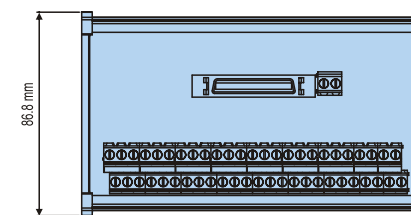
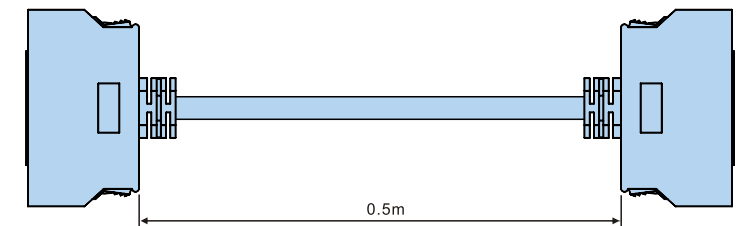
ASD-CARS0003



Item	Part No.	L	
		mm	inc
1	ASD-CARS0003	3000 ± 100	118 ± 4

### (ECMA Series) Terminal Block

ASD-BM-50A



# AC Servo System

## Accessories Cross Reference

## Dimensions of Servo Motor

# ASDA-AB

### 1.5kW Servo Drive and 1.5kW Medium Inertia Servo Motor (ASMT Series)

Servo Drive	ASD-A1521-AB			
Medium Inertia Servo Motor	ASMT-15M250A□		ASMT-15M250B□	
Cable	Without Brake		With Brake	
	3M	5M	3M	5M
	Motor Power Cable ASD-CAPW1003	Motor Power Cable ASD-CAPW1005	Motor Power Cable ASD-CAPW1103	Motor Power Cable ASD-CAPW1105
	Encoder Cable ASD-CAEN1003	Encoder Cable ASD-CAEN1005	Encoder Cable ASD-CAEN1003	Encoder Cable ASD-CAEN1005
Connector	Power Connector ASD-CAPW1000		Power Connector ASD-CAPW1100	
	Encoder Connector ASD-CAEN1000			

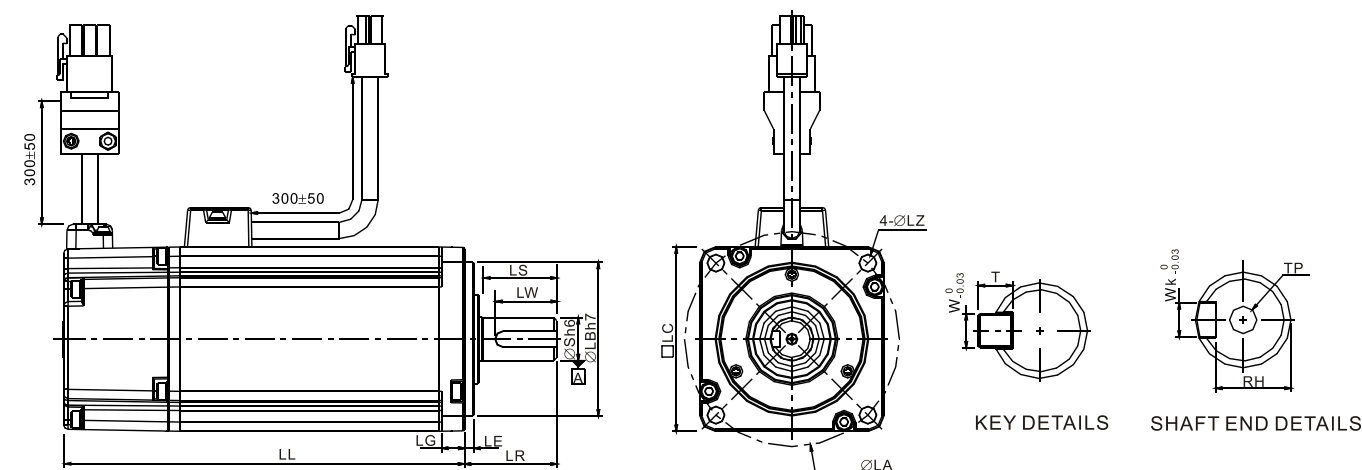
### 2kW Servo Drive and 2kW Low Inertia Servo Motor (ASMT Series)

Servo Drive	ASD-A2023-AB			
Low Inertia Servo Motor	ASMT-20L250A□		ASMT-20L250B□	
Cable	Without Brake		With Brake	
	3M	5M	3M	5M
	Motor Power Cable ASD-CAPW1203	Motor Power Cable ASD-CAPW1205	Motor Power Cable ASD-CAPW1303	Motor Power Cable ASD-CAPW1305
	Encoder Cable ASD-CAEN1003	Encoder Cable ASD-CAEN1005	Encoder Cable ASD-CAEN1003	Encoder Cable ASD-CAEN1005
Connector	Power Connector ASD-CAPW1000		Power Connector ASD-CAPW1100	
	Encoder Connector ASD-CAEN1000			

### 2kW Servo Drive and 2kW Medium Inertia Servo Motor (ASMT Series)

Servo Drive	ASD-A2023-AB			
Medium Inertia Servo Motor	ASMT-20M250A□		ASMT-20M250B□	
Cable	Without Brake		With Brake	
	3M	5M	3M	5M
	Motor Power Cable ASD-CAPW2203	Motor Power Cable ASD-CAPW2205	Motor Power Cable ASD-ABPW2303	Motor Power Cable ASD-ABPW2305
	Encoder Cable ASD-CAEN1003	Encoder Cable ASD-CAEN1005	Encoder Cable ASD-ABEN1003	Encoder Cable ASD-ABEN1005
Connector	Power Connector ASD-CAPW2000			
	Encoder Connector ASD-CAEN1000			

### ECMA Series Motor Frame Size: 80mm and below Models (Units: mm)



Model	C30401□S	C30602□S	C30604□S	C30804□7	C30807□S
LC	40	60	60	80	80
LZ	4.5	5.5	5.5	6.6	6.6
LA	46	70	70	90	90
S	8	14	14	14	19
LB	30	50	50	70	70
LL (w/o brake)	100.6	105.5	130.7	112.3	138.3
LL (with brake)	136.6	141.6	166.8	152.8	178
LS (w/o oilseal)	20	27	27	27	32
LS (with oilseal)	20	24	24	24.5	29.5
LR	25	30	30	30	35
LE	3	3	3	3	3
LG	5	7.5	7.5	8	8
LW	16	20	20	20	25
RH	6.2	11	11	11	15.5
WK	3	5	5	5	6
W	3	5	5	5	6
T	3	5	5	5	6
TP	M3xP0.5 Depth:8mm	M4xP0.7 Depth:15mm	M4xP0.7 Depth:15mm	M4xP0.7 Depth:15mm	M6xP1 Depth:20mm

Note:  
 1.The boxes (□) in the model names are for optional configurations (brake, shaft type and oil seal).  
 2.The dimensions of "TP" are the special specifications. If necessary, please contact your distributor.

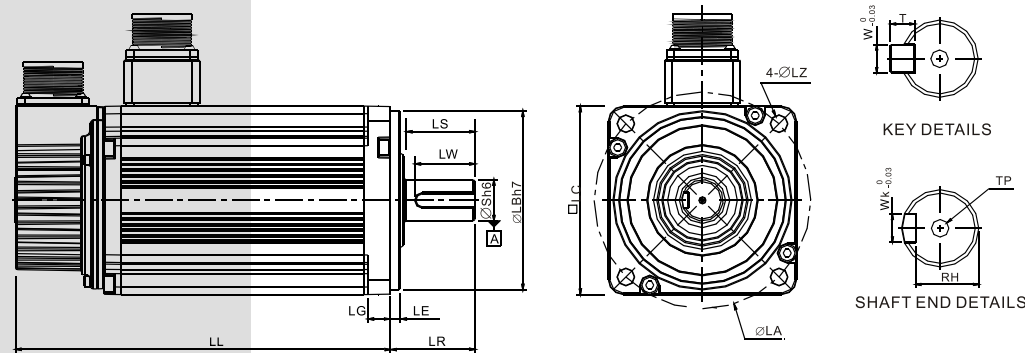
# AC Servo System



## Dimensions of Servo Motor



### ECMA Series Motor Frame Size: 100mm and above Models (Units: mm)

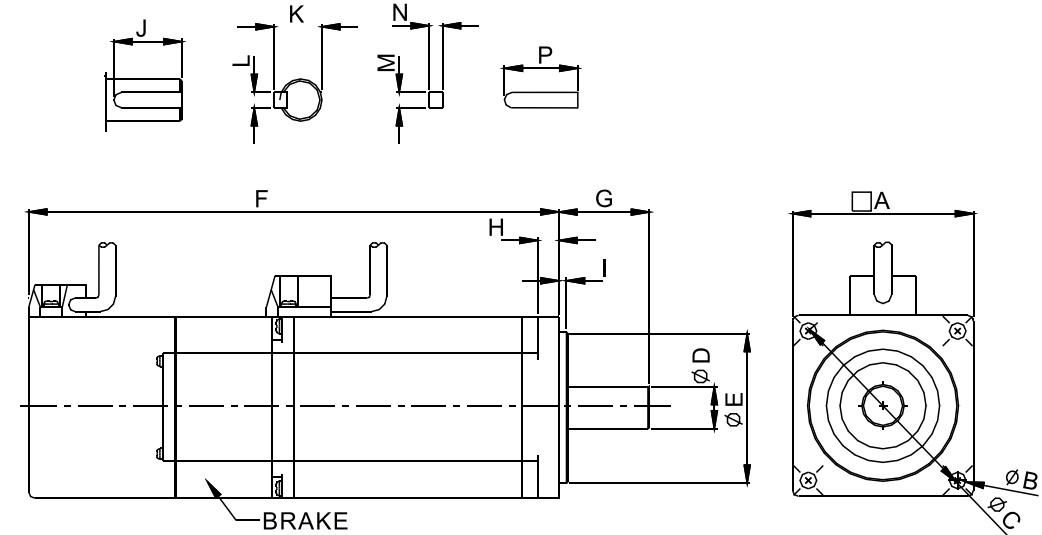


Model	G31303□S	E31305□S	G31306□S	G31309□S	C31010□S
LC	130	130	130	130	100
LZ	9	9	9	9	9
LA	145	145	145	145	115
S	22	22	22	22	22
LB	110	110	110	110	95
LL (without brake)	147.5	147.5	147.5	163.5	153.25
LL (with brake)	183.5	183.5	183.5	198	192.5
LS	47	47	47	47	37
LR	55	55	55	55	45
LE	6	6	6	6	5
LG	11.5	11.5	11.5	11.5	12
LW	36	36	36	36	32
RH	18	18	18	18	18
WK	8	8	8	8	8
W	8	8	8	8	8
T	7	7	7	7	7
TP	M3xP0.5 Depth:8mm	M4xP0.7 Depth:15mm	M4xP0.7 Depth:15mm	M4xP0.7 Depth:15mm	M6xP1 Depth:20mm

Model	E31310□S	E31315□S	C31020□S	E31320□S	E31820□S
LC	130	130	100	130	180
LZ	9	9	9	9	13.5
LA	145	145	115	145	200
S	22	22	22	22	35
LB	110	110	95	110	114.3
LL (w/o brake)	147.5	167.5	199	187.5	169
LL (with brake)	183.5	202	226	216	203.1
LS	47	47	37	47	73
LR	55	55	45	55	79
LE	6	6	5	6	4
LG	11.5	11.5	12	11.5	20
LW	36	36	32	36	63
RH	18	18	18	18	30
WK	8	8	8	8	10
W	8	8	8	8	10
T	7	7	7	7	8
TP	M3xP0.5 Depth:8mm	M4xP0.7 Depth:15mm	M4xP0.7 Depth:15mm	M4xP0.7 Depth:15mm	M6xP1 Depth:20mm

Note:  
1.The boxes (□) in the model names are for optional configurations (brake, shaft type and oil seal).  
2.The dimensions of "TP" are the special specifications. If necessary, please contact your distributor.

### ASMT Series 100W to 750W Low Inertia Servo Motors (Units: mm)



Model	ASMT01L250□□	ASMT02L250□□	ASMT04L250□□	ASMT07L250□□
Power (W)	100	200	400	750
A	40	60	60	80
B	4.5	5.5	5.5	6.6
C	46	70	70	90
D	8h6 +0.0 -0.009	14h6 +0.0 -0.011	14h6 +0.0 -0.011	19h6 +0.0 -0.013
E	30h7 +0.0 -0.021	50h7 +0.0 -0.025	50h7 +0.0 -0.025	70h7 +0.0 -0.030
F (Without Brake)	100.1	102.4	124.4	135
F (With Brake)	135.7	137	159	171.6
G	25	30	30	35
H	5	6	6	8
I	2.5	3	3	3
J	16	20	20	25
K	9.2 +0.0 -0.2	16 +0.0 -0.2	16 +0.0 -0.2	21.5 +0.0 -0.2
L	3h9 -0.006 -0.031	5h9 -0.012 -0.042	5h9 -0.012 -0.042	6h9 -0.012 -0.042
M	3 +0.0 -0.025	5 +0.0 -0.030	5 +0.0 -0.030	6 +0.0 -0.030
N	3 +0.0 -0.025	5 +0.0 -0.030	5 +0.0 -0.030	6 +0.0 -0.030
P	16 +0.0 -0.18	20 +0.0 -0.21	20 +0.0 -0.21	25 +0.0 -0.21
Weight (Without Brake)	0.5(1.1)	0.9(1.98)	1.3(2.87)	2.5(5.5)
Weight (With Brake)	0.7(1.54)	1.4(3.09)	1.8(3.97)	3.4(7.5)

Note:  
1.The boxes (□) in the model names are for optional configurations (brake, shaft type and oil seal).  
2.Dimensions are in millimeters. Weights are in kilograms (kg) and (pounds (lbs)).

# ECMA Series Servo Motors

# ASDA-A2

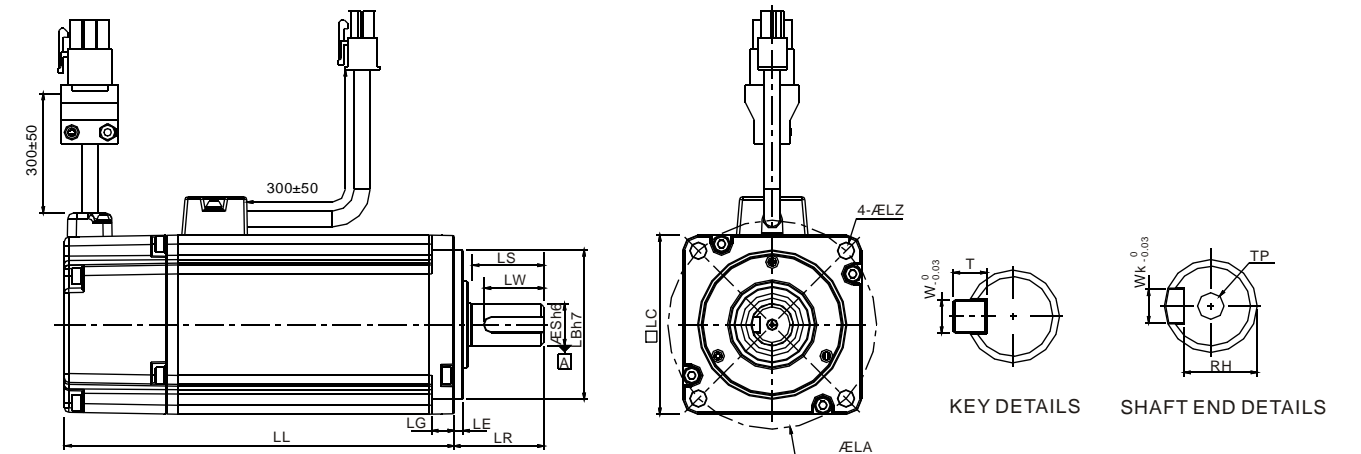


## Spécifications des servomoteurs (Séries ECMA)

Séries ECMA	E113				E118		F118	G113		
	05	10	15	20	20	30	30	03	06	09
P nominale (kW)	0.5	1.0	1.5	2.0	2.0	3.0	3.0	0.3	0.6	0.9
Couple nominal (N-m)	2.39	4.77	7.16	9.55	9.55	14.32	19.10	2.86	5.73	8.59
Couple crête (N-m)	7.16	14.3	21.48	28.65	28.65	42.97	57.29	8.59	17.19	21.48
Vitesse nominale (tr/min)	2000						1500	1000		
Vitesse maximum (tr/min)	3000							2000		
Courant nominal (A)	2.9	5.6	8.3	11.01	11.22	16.1	19.4	2.5	4.8	7.5
Courant crête (A)	8.7	16.8	24.9	33.03	33.66	48.3	58.2	7.5	14.4	22.5
Puissance RMS (kW/s)	7.0	27.1	45.9	62.5	26.3	37.3	66.4	10.0	39.0	66.0
Inertie rotor sans frein (Kg.m <sup>2</sup> )	8.17E-4	8.41E-4	11.18E-4	14.59E-4	34.68E-4	54.95E-4	54.95E-4	8.17E-4	8.41E-4	11.18E-4
Constante de temps mécanique (ms)	1.91	1.51	1.10	0.96	1.62	1.06	1.28	1.84	1.40	1.06
KT (N-m/A)	0.83	0.85	0.87	0.87	0.85	0.89	0.98	1.15	1.19	1.15
KE (V/(1000 tr/min))	30.9	31.9	31.8	31.8	31.4	32	35	42.5	43.8	41.6
Résistance (Ohm)	0.57	0.47	0.26	0.174	0.119	0.052	0.077	1.06	0.82	0.43
Inductance (mH)	7.39	5.99	4.01	2.76	2.84	1.38	1.27	14.29	11.12	6.97
Constante de temps électrique (ms)	12.96	12.88	15.31	15.86	23.87	26.39	16.51	13.55	13.50	16.06
Classe d'isolation	Class A (UL), Class B (CE)									
Isolement	>100MΩ, DC 500V									
Isolement entre phase	1500V AC, 60 secondes									
Poids (kg) (sans frein)	6.8	7	7.5	7.8	13.5	18.5	18.5	6.8	7	7.5
Poids (kg) (avec frein)	8.2	8.4	8.9	9.2	17.5	22.5	22.5	8.2	8.4	8.9
Force radiale maxi (N)	490	490	490	490	1176	1470	1470	490	490	490
Charge radiale maxi (N)	98	98	98	98	490	490	490	98	98	98
Puissance rms avec frein (kW/s)	6.4	24.9	43.1	59.7	24.1	35.9	63.9	9.2	35.9	62.1
Inertie rotor avec frein (Kg.m <sup>2</sup> )	8.94E-4	9.14E-4	11.90E-4	15.88E-4	37.86E-4	57.06E-4	57.06E-4	8.94E-4	9.14E-4	11.9E-4
Constante de temps mécanique (ms) (avec frein)	2.07	1.64	1.19	1.05	1.77	1.10	1.33	2.0	1.51	1.13
Couple de maintien frein mini [Nm]	16.5	16.5	16.5	16.5	25	25	25	16.5	16.5	16.5
Puissance consommée par le frein (à 20°C) [W]	21.0	21.0	21.0	21.0	31.1	31.1	31.1	21.0	21.0	21.0
Temps de réponse frein maxi (ms)	5.0	5.0	5.0	5.0	5.0	5.0	5.0	5.0	5.0	5.0
Temps de réaction du frein [ms (Max)]	25.0	25.0	25.0	25.0	25.0	25.0	25.0	25.0	25.0	25.0
Classe de vibrations (μm)	15									
Température fonctionnement	0°C à 40°C (32°F à 104°F)									
Température stockage	-10°C à 80°C (-14°F à 176°F)									
Humidité	20% à 90% RH (sans condensation)									
Humidité stockage	20% à 90% RH (sans condensation)									
Vibrations maxi	2.5G									
IP	IP65 (si les connecteurs sont waterproof, ou si un joint est utilisé (joint spécial sur arbre))									
Conformité										

## Dimensions

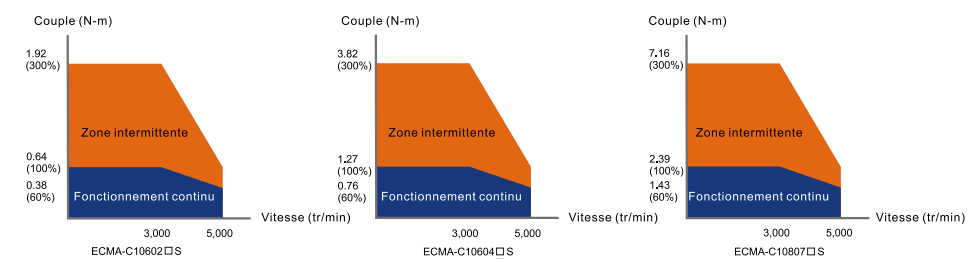
- Servomoteurs séries ECMA Brides taille 80mm et inférieures (Unités: mm)



Model	C10602□S	C10604□S	C10804□7	C10807□S
LC	60	60	80	80
LZ	5.5	5.5	6.6	6.6
LA	70	70	90	90
S	14	14	14	19
LB	50	50	70	70
LL(Avec frein)	105.5	130.7	112.3	138.3
LL(sans frein)	141.6	166.8	152.8	178
LS(Avec joint torique)	27	27	27	32
LS(sans joint torique)	24	24	24.5	29.5
LR	30	30	30	35
LE	3	3	3	3
LG	7.5	7.5	8	8
LW	20	20	20	25
RH	11	11	11	15.5
WK	5	5	5	6
W	5	5	5	6
T	5	5	5	6
TP	M4xP0.7 Depth:15mm	M4xP0.7 Depth:15mm	M4xP0.7 Depth:15mm	M6xP1 Depth:20mm

**NOTE** 1) Dimensions en millimètres, masse en (kg) et livres (lbs).  
2) Dimensions et poids peuvent être corrigés sans avertissement préalable.  
3) Le sigle (□) dans la définition est réservé pour les options (clavette, frein et joint)

## Courbes vitesse-couple

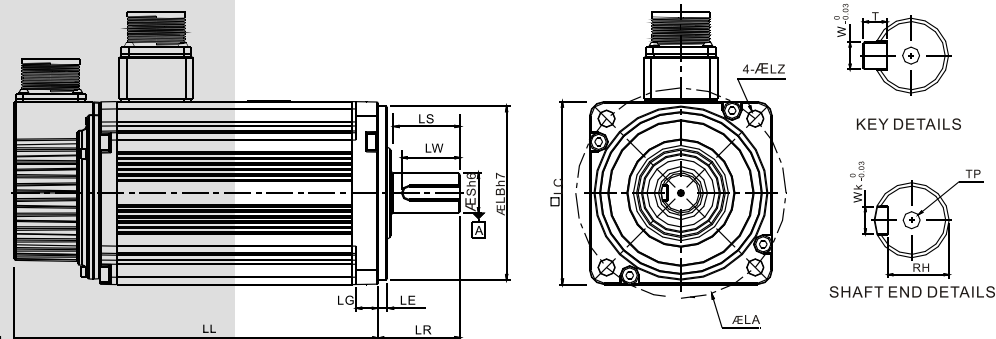


# ECMA Series Servo Motors

# ASDA-A2

## Dimensions

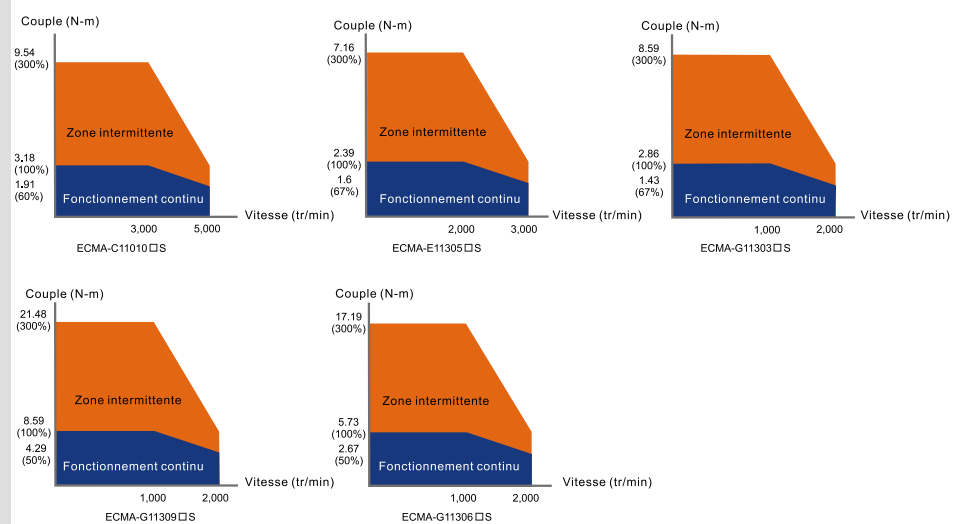
- Servomoteurs séries ECMA Brides taille 100mm et au-dessus (Unités: mm)



Model	G11303□S	E11305□S	G11306□S	G11309□S	C11010□S
LC	130	130	130	130	100
LZ	9	9	9	9	9
LA	145	145	145	145	115
S	22	22	22	22	22
LB	110	110	110	110	95
LL(Avec frein)	147.5	147.5	147.5	163.5	153.25
LL(sans frein)	183.5	183.5	183.5	198	192.5
LS	47	47	47	47	37
LR	55	55	55	55	45
LE	6	6	6	6	5
LG	11.5	11.5	11.5	11.5	12
LW	36	36	36	36	32
RH	18	18	18	18	18
WK	8	8	8	8	8
W	8	8	8	8	8
T	7	7	7	7	7
TP	M6xP1 Depth:20mm	M6xP1 Depth:20mm	M6xP1 Depth:20mm	M6xP1 Depth:20mm	M6xP1 Depth:20mm

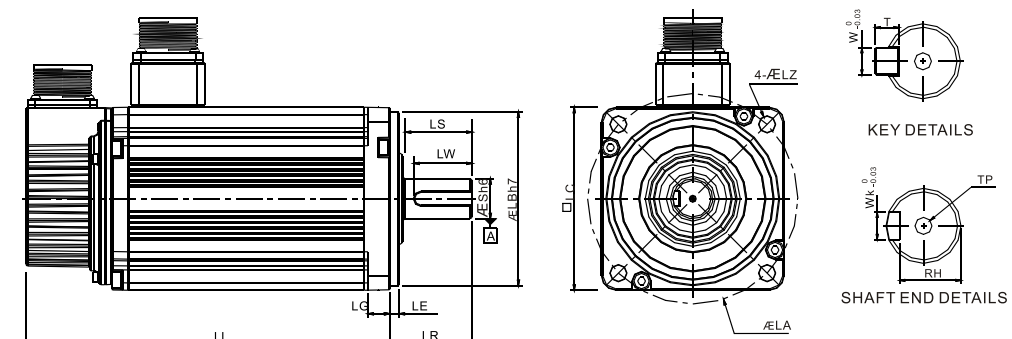
**NOTE** 1) Dimensions en millimètres, masse en (kg) et livres (lbs).  
2) Dimensions et poids peuvent être corrigés sans avertissement préalable.  
3) Le sigle (□) dans la définition est réservé pour les options (clavette, frein et joint)

## Courbes vitesse-couple



## Dimensions

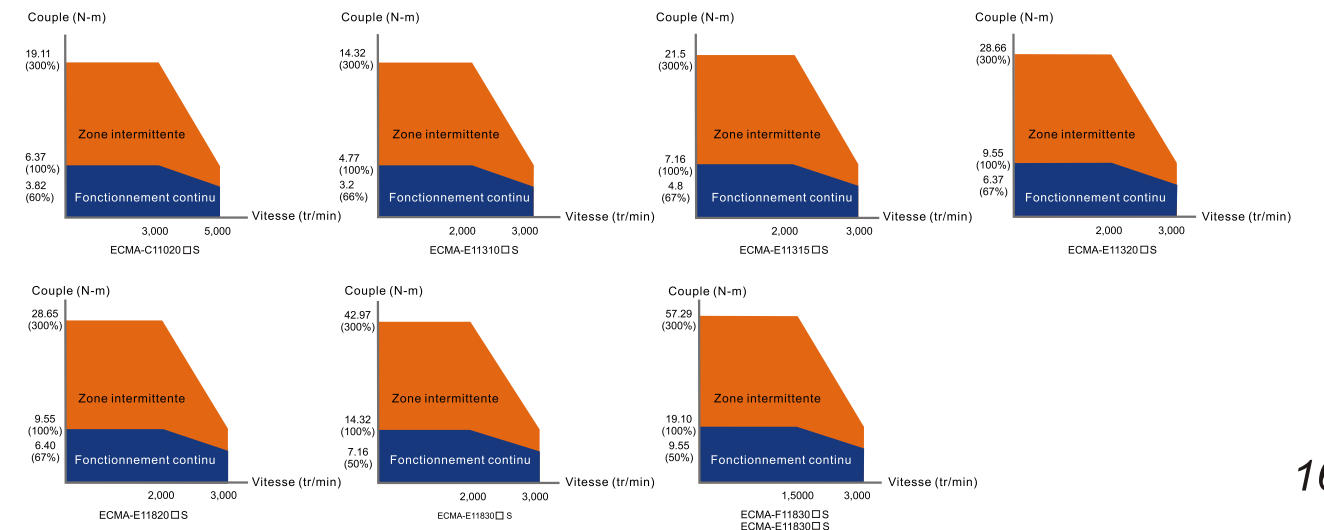
- Servomoteurs séries ECMA Brides taille 100mm et au-dessus (Unités: mm)



Model	E11310□S	E11315□S	C11020□S	E11320□S	E11820□S	E11830□S	F11830□S
LC	130	130	100	130	180	180	180
LZ	9	9	9	9	13.5	13.5	13.5
LA	145	145	115	145	200	200	200
S	22	22	22	22	35	35	35
LB	110	110	95	110	114.3	114.3	114.3
LL(Avec frein)	147.5	167.5	199	187.5	169	202.1	202.1
LL(sans frein)	183.5	202	226	216	203.1	235.3	235.1
LS	47	47	37	47	73	73	73
LR	55	55	45	55	79	79	79
LE	6	6	5	6	4	4	4
LG	11.5	11.5	12	11.5	20	20	20
LW	36	36	32	36	63	63	63
RH	18	18	18	18	30	30	30
WK	8	8	8	8	10	10	10
W	8	8	8	8	10	10	10
T	7	7	7	7	8	8	8
TP	M6xP1 Depth:20mm	M6xP1 Depth:20mm	M6xP1 Depth:20mm	M6xP1 Depth:20mm	M12xP1.75 Depth:25mm	M12xP1.75 Depth:25mm	M12xP1.75 Depth:25mm

**NOTE** 1) Dimensions en millimètres, masse en (kg) et livres (lbs).  
2) Dimensions et poids peuvent être corrigés sans avertissement préalable.  
3) Le sigle (□) dans la définition est réservé pour les options (clavette, frein et joint)

## Courbes vitesse-couple







***Siège social &  
service technique :***

Z.A Ahuy-Suzon  
17 rue des grandes Varennes  
B.P 46 - 21121 AHUY  
Tél : 03 80 55 00 00  
fax : 03 80 53 93 63

*infos@transtechnik.fr*

***www.transtechnik.fr***

■ ***Bureau Paris :***

12 avenue des Andes  
Bâtiment A  
91967 COURTABOEUF Cedex  
Tél : 01 69 29 06 65  
fax : 01 69 29 81 69

■ ***Bureau Lyon :***

Espace Florentin  
71 chemin du moulin Carron  
69570 DARDILLY  
Tél : 04 72 19 19 61  
fax : 04 72 19 19 62