

PD4-N5918 series stepper motor with integrated controller and junction box in protection class IP65



Option



Pin configuration RS485

M12 CONNECTOR 17 PIN		M12 CONNECTOR 5 PIN	
FUNCTION	PIN NO.	FUNCTION	PIN NO.
Output 1	1	24 - 48 V	1
Output 2	8	24 - 48 V	2
Output 3	3	Power GND	3
Analog input	4	Power GND	4
+VB External	5	N.C.	5
GND	6		
RS485 Tx+	7		
RS485 Tx-	10		
RS485 Rx-	9		
RS485 Rx+	2		
Input 1	11		
Input 2	12		
Input 3	13		
Input 4	14		
Input 5	15		
Input 6	16		
NC	17		

CAN Open pin configuration

M12 CONNECTOR 17 PIN		M12 CONNECTOR 5 PIN	
FUNCTION	PIN NO.	FUNCTION	PIN NO.
Output 1	1	24 - 48 V	1
Output 2	2	24 - 48 V	2
Output 3	3	Power GND	3
Analog input	4	Power GND	4
+VB External	5	N.C.	5
GND	6		
CAN - H	7		
CAN - L	10		
N.C.	9		
N.C.	8		
Input 1	11		
Input 2	12		
Input 3	13		
Input 4	14		
Input 5	15		
Input 6	16		
NC	17		

Technical data

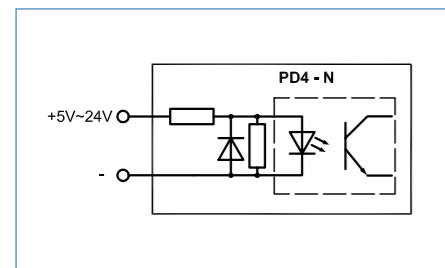
- Operating voltage:** 24 to 48 V DC
- Max. phase current:** Adjustable per software up to 4.8 A (1% steps), 100%=3.2 A
- Interface:** RS485 or CANopen
- Operating mode:** Position, speed, flag position, clock direction, analog position, torque
- Operating mode:** 1/1, 1/2, 1/4, 1/5, 1/8, 1/10, 1/32, 1/64, adaptive (1/128)
- Step frequency:** 0 to 50 kHz in the clock/direction mode, 0 to 25 kHz in all other modes
- Inputs:** 6 optocoupler inputs (5 - 24 V)
- Outputs:** Open-Drain (0 switching, max. 24 V/0.5 A)
- Position monitoring:** Automatic error correction up to 0.9°
- Current reduction:** Adjustable in 1% values
- Protection circuit:** Overvoltage and heatsink temperature > 80 °C
- Temperature range:** -10 to + 40 °C
- Connection type :** M12
- New functions:** Closed loop / sinusoidal commutation / dspDrive / easily programmable as sequential controller with Nano

Attention: An intermediate circuit capacitor of at least 4,700 µF (Z-K4700/50) must be provided on the supply voltage.

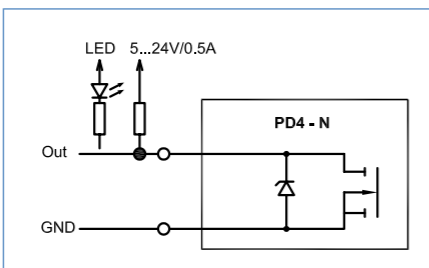
Order identifier

PD4-N5918L4204 - IP - 2
IP = with IP protection
 2 = RS485
 3 = CANopen

Input circuits



Output circuits



Accessories

ZK-M12-17-1m-2-pur-S, angled, L=1.5m
ZK-M12-5-2m-2-pur-S, angled, L=2m

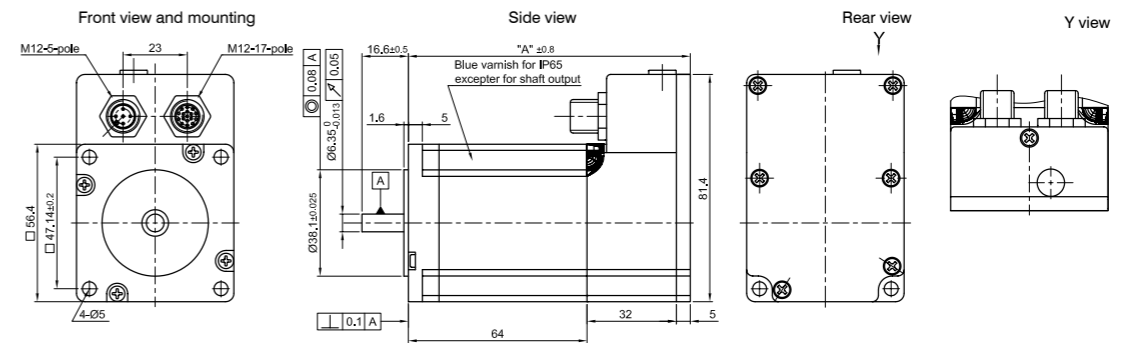
Other cable lengths in large quantities on request.

Available versions (others on request)

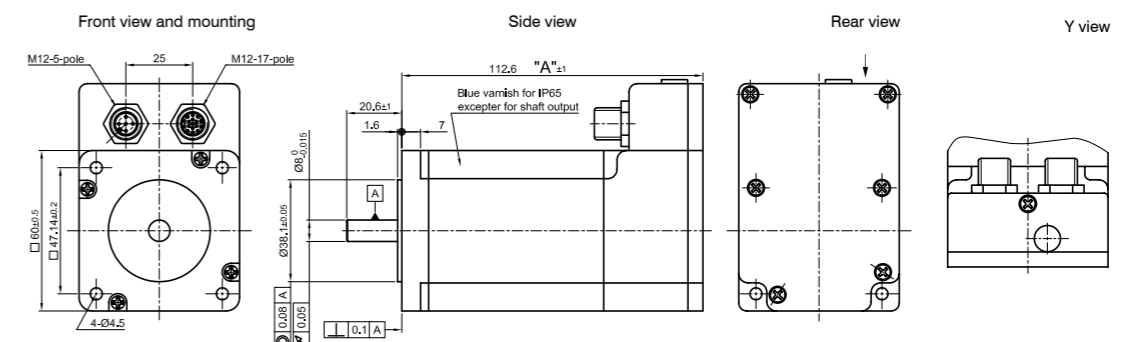
Type	Holding torque Ncm	Weight kg	"A" mm	Interface
PD4-N5918X4204-IP-2	53.7	0.49	66.5	RS485
PD4-N5918X4204-IP-3	53.7	0.49	66.5	CANopen
PD4-N5918M4204-IP-2	113.0	0.80	80.6	RS485
PD4-N5918M4204-IP-3	113.0	0.80	80.6	CANopen
PD4-N5918L4204-IP-2	198.0	1.22	101.6	RS485
PD4-N5918L4204-IP-3	198.0	1.22	101.6	CANopen
PD4-N6018L4204-IP-2	354.0	1.48	112.0	RS485
PD4-N6018L4204-IP-3	354.0	1.48	112.0	CANopen

Outline drawing (in mm)

PD4N5918...-IP

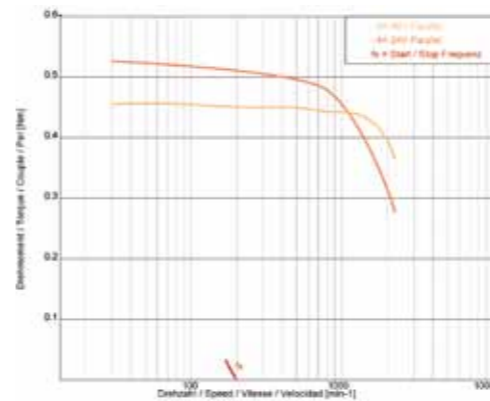


PD4N6018...-IP

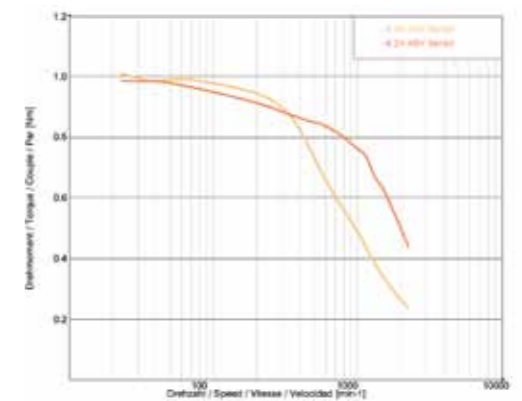


Speed/torque curves

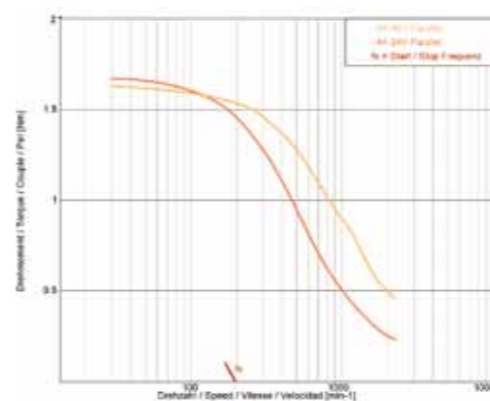
PD4-N5918X4204



PD4-N5918M4204



PD4-N5918L4204



PD4-N6018L4204

